

# TRANSMISSION SERVICING - M/T

## Article Text

1993 Volkswagen EuroVan  
For Volkswagen Technical Site  
Copyright © 1998 Mitchell Repair Information Company, LLC  
Saturday, March 18, 2000 10:38PM

### ARTICLE BEGINNING LOOSE

TRANSMISSION SERVICING  
Volkswagen Manual Transmission

Volkswagen; EuroVan,

### IDENTIFICATION

#### MANUAL TRANSAXLE APPLICATIONS TABLE

Model Transaxle

EuroVan ..... 5-Speed - 02B Transaxle

### LUBRICATION

#### SERVICE INTERVALS

No oil changes are required.

#### CHECKING FLUID LEVEL

Manufacturer states that fluid level does not have to be checked, and does not specify a procedure for doing so.

#### RECOMMENDED FLUID

Use API GL-4, SAE 80W or 80W-90.

### FLUID CAPACITIES

#### TRANSAXLE REFILL CAPACITIES TABLE

Transaxle Qts. (L)

02A	2.1 (2.0)
02B	2.9 (3.1)
013 & 014	1.8 (1.7)
020	2.1 (2.0)

### ADJUSTMENTS

#### GEARSHIFT LINKAGE

- 1) Place gearshift lever in Neutral position. Remove knob and boot. Loosen upper shift rod clamp bolt. Install Shift Linkage Gauge (3258). See Fig. 1.
- 2) With gauge tightly secured against gearshift lever,

## TRANSMISSION SERVICING - M/T

### Article Text (p. 2)

1993 Volkswagen EuroVan

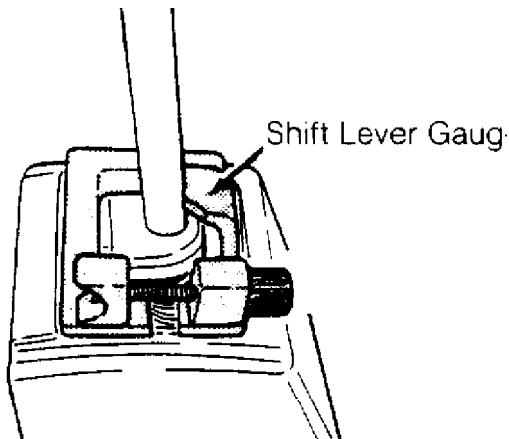
For Volkswagen Technical Site

Copyright © 1998 Mitchell Repair Information Company, LLC

Saturday, March 18, 2000 10:38PM

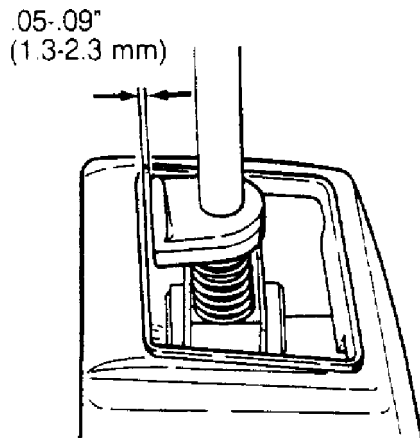
tighten knurled head screw. Align gate selector console to move freely. Tighten upper shift rod clamp bolt. Remove shift linkage gauge.

3) Place gear selector in 1st position. Light pull gear selector toward left side of vehicle. Measure distance between gear lever stop and gear shift housing. See Fig. 2. If .05-.09" (1.3-2.3 mm) is not present, repeat steps 1) and 2).



### 93B83700

Fig. 1: Adjusting Shift Rod End  
Courtesy of Volkswagen United States, Inc.



### 93C83701

Fig. 2: Checking Shift Linkage  
Courtesy of Volkswagen United States, Inc.

**TRANSMISSION SERVICING - M/T**

**Article Text (p. 3)**

1993 Volkswagen EuroVan

For Volkswagen Technical Site

Copyright © 1998 Mitchell Repair Information Company, LLC

Saturday, March 18, 2000 10:38PM

**END OF ARTICLE**