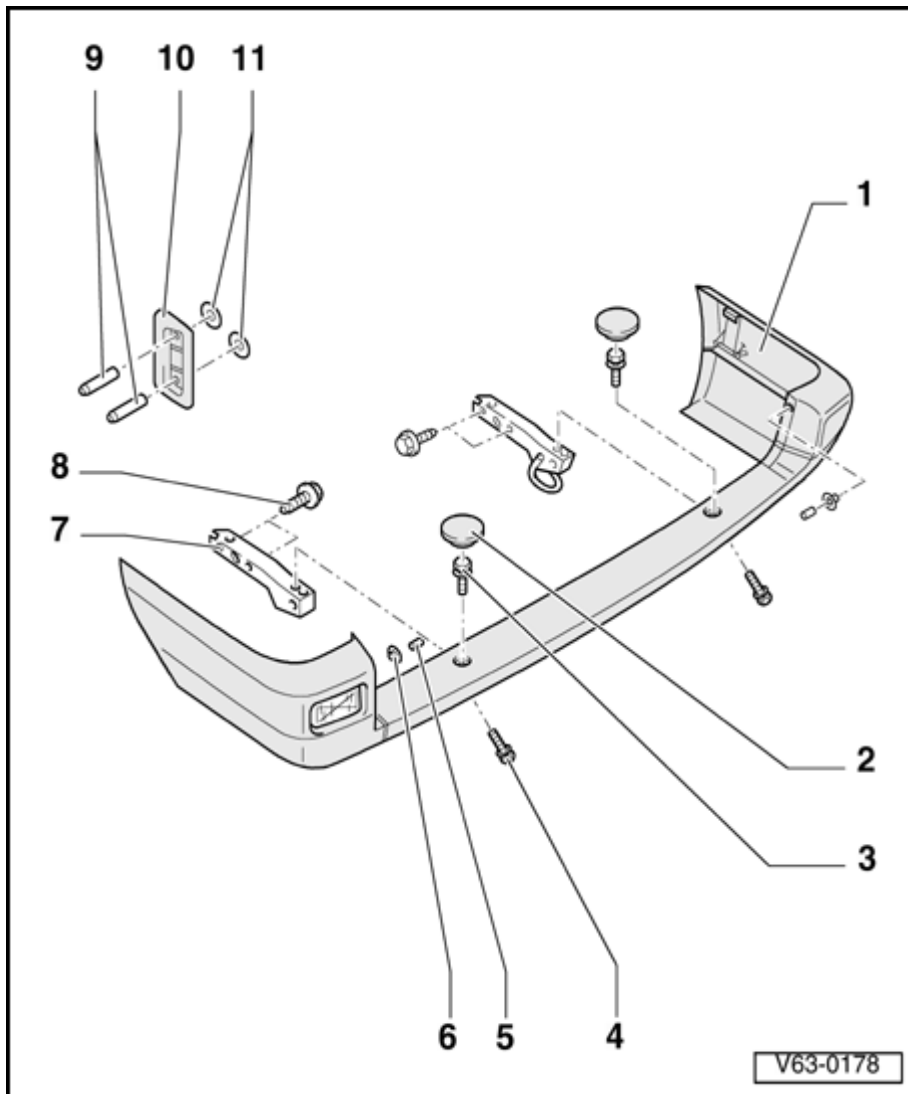


Rear bumper

Assembly overview (up to 12.95)

Rear bumper, removing and installing (from 01.96) ⇒ [Page 63-8](#)

- 1 - Rear bumper
- 2 - Cover
- 3 - Bolt w/washer
 - ◆ 15 Nm (11 ft lb)
- 4 - Bolt w/washer
 - ◆ 15 Nm (11 ft lb)
- 5 - Pin
 - ◆ Replacement part includes -5- and -6-
- 6 - Expanding clip
 - ◆ Replacement part includes -5- and -6-



7 - Bumper bracket

8 - Bolt w/washer

◆ 110 Nm (81 ft lb)

9 - Pin

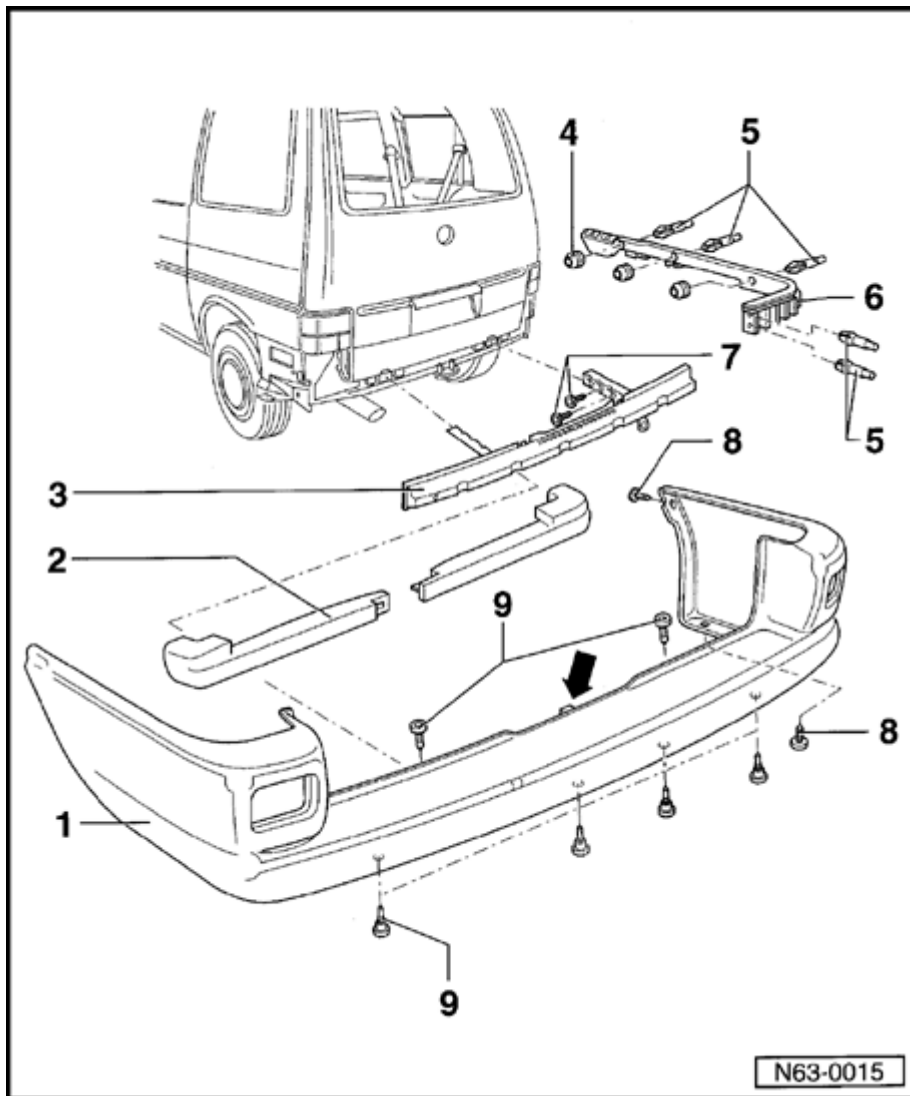
10 - Guide

◆ To remove and install, push in or slide out bumper parallel from guide (left and right)

11 - Sealing washer

Rear bumper, removing and installing (from 01.96)

Rear bumper, removing and installing (up to 12.95) ⇒ [Page 63-6](#)



1 - Cover

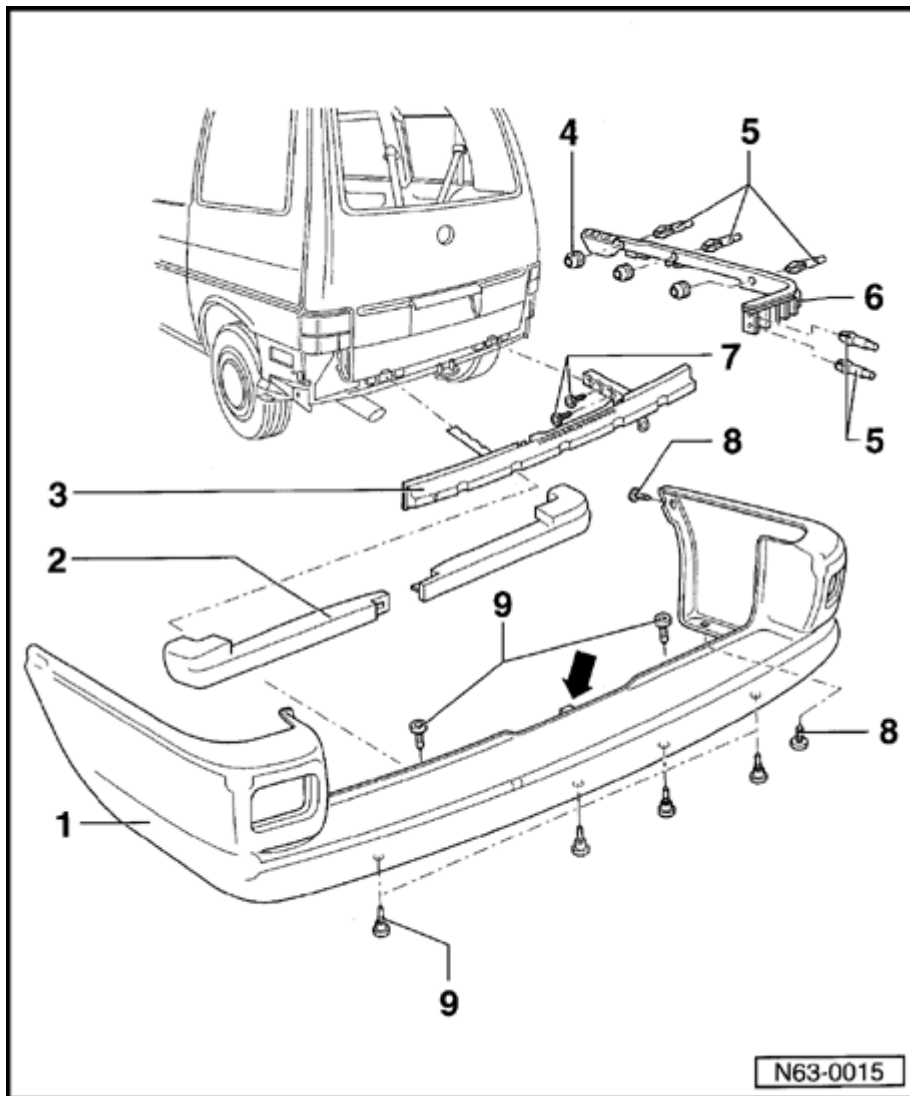
- Remove torx screws -8-, hex screws -7-.
- Remove bumper with rail -3- from guides -6-.
- Remove torx screws -9-.
- Pull cover from rail with brackets -3-.

◆ Note center fastening point

2 - Bumper beam

- ◆ When removing, disconnect right side then left

3 - Rail with bracket



4 - Sleeve

5 - Expansion clip

6 - Bumper guide bracket

- ◆ To remove/install bumper beam, push/pull beam straight (parallel) out of guide bracket

7 - Hex bolt with washer

- ◆ 15 Nm (11 ft lb)

8 - Torx screw T25 (2x)

- ◆ 1.2 Nm (11 in. lb)

9 - Torx screw T30

- ◆ 6 Nm (53 in. lb)

N63-0015