

ELECTRICAL COMPONENT LOCATOR

Article Text

1993 Volkswagen EuroVan
For Volkswagen Technical Site
Copyright © 1998 Mitchell Repair Information Company, LLC
Saturday, March 18, 2000 10:31PM

ARTICLE BEGINNING

1993 ELECTRICAL COMPONENT LOCATION
Volkswagen Electrical Components

EuroVan

BUZZERS, RELAYS & TIMERS

| Component | Component Location |
|---|--|
| ABS Relays | On top of ABS pump. |
| A/C Clutch Relay | On fuse/relay block. |
| A/C Control Module Relay | On fuse/relay block. |
| Blower Fan Relay | On fuse/relay block. |
| Coolant Pump After-Run Relay | On fuse/relay block. |
| ECM Relay | On fuse/relay block. |
| Foglight/Parking Light Relay | On fuse/relay block. |
| Fuel Pump Relay | On fuse/relay block. |
| Hazard Flasher Relay | On fuse/relay block. |
| Heater Control Module Relay | On fuse/relay block. |
| Horn Relay | On fuse/relay block. |
| Load Reduction Relay | On fuse/relay panel. |
| Radiator Fan Relays | On left front of engine compartment. |
| Rear Window Defroster & Heated Mirror Relay | On fuse/relay panel. |
| Rear A/C Fan High Speed Relay | Behind right rear wheelwell, under blower motor housing. |
| Seat Belt Warning Relay | On fuse/relay block. |
| Starter Interlock & Back-Up Light Relay | On fuse/relay block. |
| Wiper/Washer Relay (Front & Rear) | On fuse/relay block. |

ELECTRICAL COMPONENT LOCATOR

Article Text (p. 2)

1993 Volkswagen EuroVan
For Volkswagen Technical Site
Copyright © 1998 Mitchell Repair Information Company, LLC
Saturday, March 18, 2000 10:31PM

CIRCUIT PROTECTION DEVICES

| Component | Component Location |
|---------------------------------|--|
| Auxiliary Heater Fuses (Canada) | On fuse holder, behind right kick panel. |
| Fuse/Relay Block | Behind left side of dash. |

CONTROL UNITS

| Component | Component Location |
|--|--|
| ABS Control Module | Behind left kick panel. |
| Auxiliary Heater Control Module (Canada) | Behind right kick panel. |
| Cruise Control Module | Behind right side of dash, behind glove box. |
| Digifant Control Module | Behind left headlight. |
| Transmission Control Module (TCM) | Behind right kick panel. |

MOTORS

| Component | Component Location |
|------------------------------------|--|
| Blower Fan Motor | |
| Front | Under left side of dash. |
| Rear | |
| A/C Unit | On right rear of vehicle. |
| Heater Unit | Under rear of vehicle. |
| Coolant Circulation Pump | On left rear bottom of engine. |
| Fuel Pump | In fuel tank. |
| Washer Pump (Headlight/Windshield) | In washer fluid reservoir, behind right headlight. |
| Wiper Motors | |
| Front | On center of firewall. |
| Rear | Behind panel on each rear swing door or liftgate (if |

ELECTRICAL COMPONENT LOCATOR

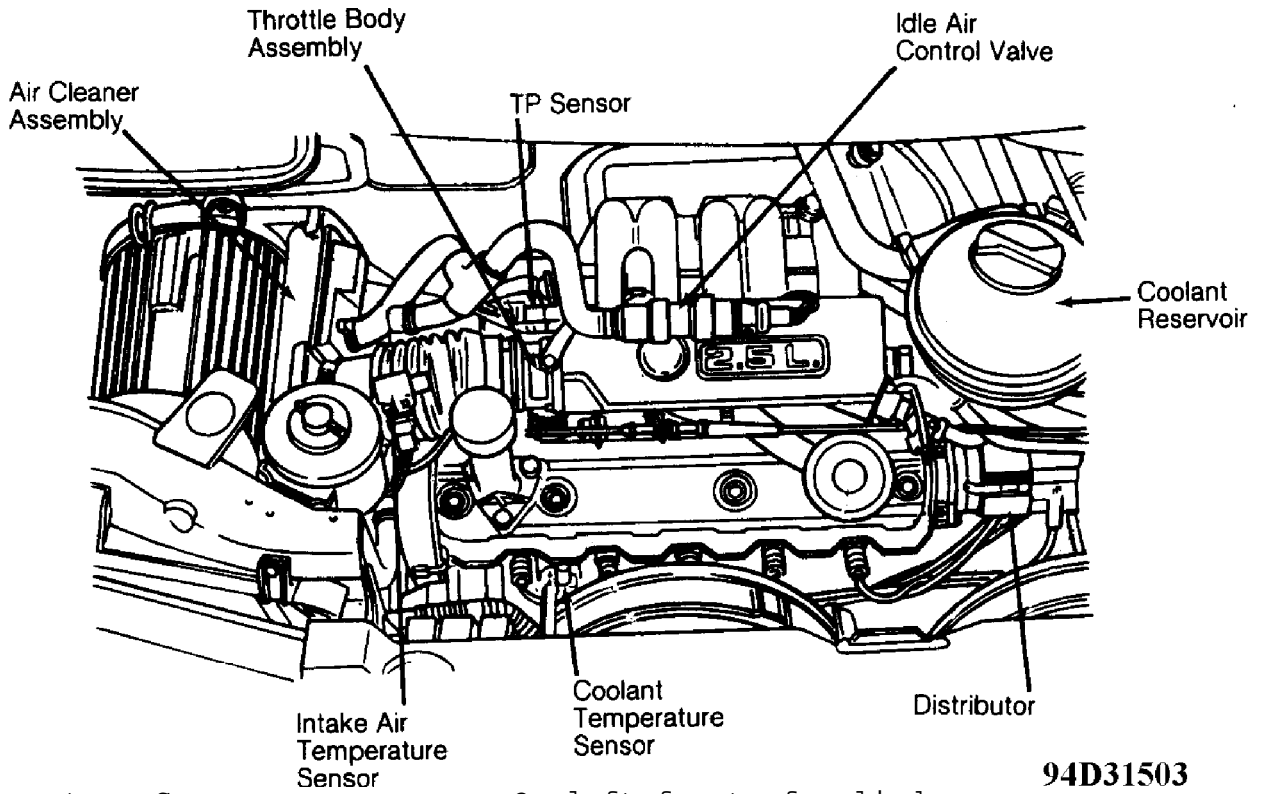
Article Text (p. 3)

1993 Volkswagen EuroVan
For Volkswagen Technical Site
Copyright © 1998 Mitchell Repair Information Company, LLC
Saturday, March 18, 2000 10:31PM

equipped).

SENDING UNITS & SENSORS

| Component | Component Location |
|-------------------------|--|
| ABS Wheel Speed Sensors | On each wheel spindle or hub assembly. |



Coolant Temperature Sensor

On left front of cylinder head.

94D31503

ELECTRICAL COMPONENT LOCATOR

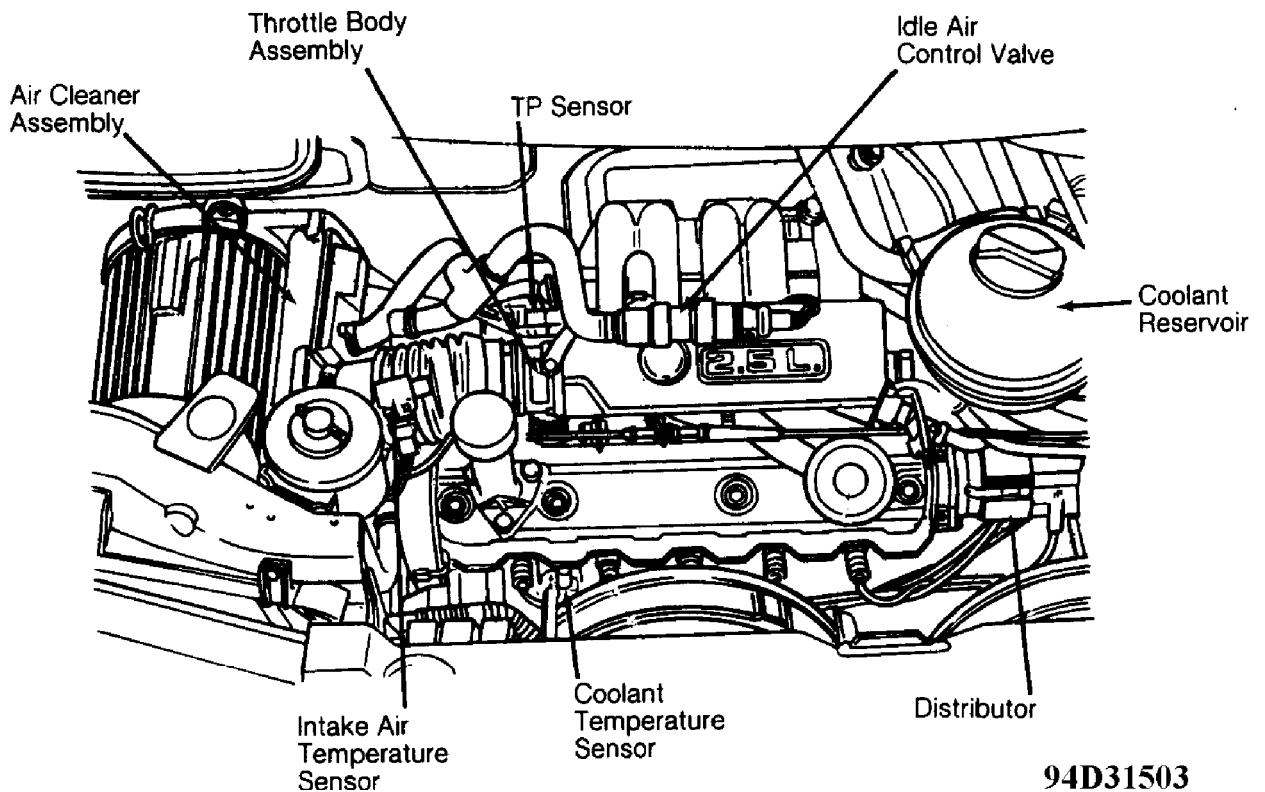
Article Text (p. 4)

1993 Volkswagen EuroVan

For Volkswagen Technical Site

Copyright © 1998 Mitchell Repair Information Company, LLC

Saturday, March 18, 2000 10:31PM



94D31503

Intake Air Temperature Sensor

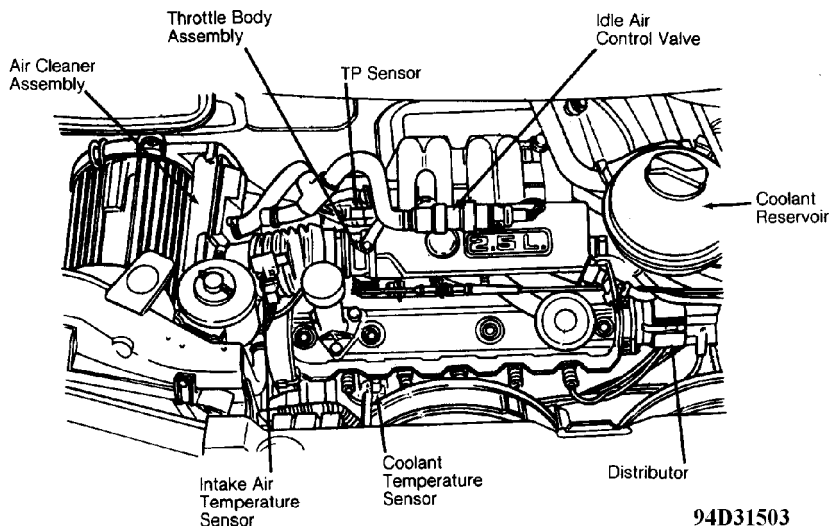
In fresh air intake hose,
before throttle body.

MAP Sensor

Inside of digifant control
module.

Rear A/C Temperature Sensor

Inside duct, above rear blower
motor.



94D31503

Throttle Position (TP) Sensor

On throttle body assembly.

Vehicle Speed Sensor

On speedometer assembly.

ELECTRICAL COMPONENT LOCATOR

Article Text (p. 5)

1993 Volkswagen EuroVan

For Volkswagen Technical Site

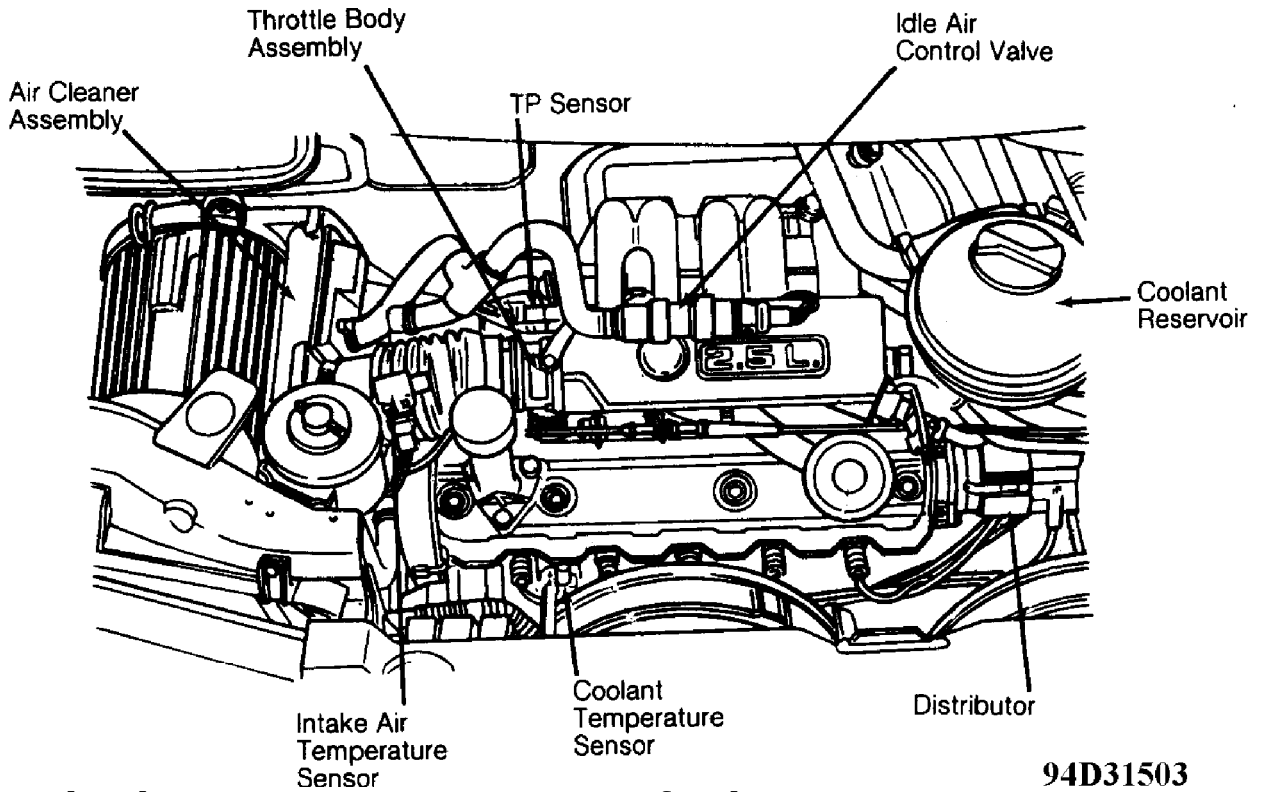
Copyright © 1998 Mitchell Repair Information Company, LLC

Saturday, March 18, 2000 10:31PM

SOLENOIDS & SOLENOID VALVES

| Component | Component Location |
|---------------|---------------------|
| ABS Solenoids | On top of ABS pump. |

Cold Start Injector Valve In front of intake manifold.



Idle Air Control Valve On top of valve cover.

SWITCHES

| Component | Component Location |
|----------------------|-----------------------|
| Back-Up Light Switch | On side of transaxle. |

Brake/Cruise/Stoplight Switch On bracket, above brake pedal.

Clutch/Cruise Switch On bracket, above clutch pedal.

Coolant Temp. Thermal Switch On left top of cylinder head.

Parking Brake Switch On base of parking brake

ELECTRICAL COMPONENT LOCATOR

Article Text (p. 6)

1993 Volkswagen EuroVan
For Volkswagen Technical Site
Copyright © 1998 Mitchell Repair Information Company, LLC
Saturday, March 18, 2000 10:32PM

lever.

Power Steering Pressure Switch

On pressure hose, near power steering pump.

MISCELLANEOUS

AA

Component Component Location

AA

Data Link Connector (DLC) Behind left side of dash.

Cooling Fan Series Resistors Under left headlight.

Evaporator Fan Series Resistors On each evaporator housing (front & rear A/C unit).

Voltage Stabilizer Attached to rear of instrument panel.

AA

END OF ARTICLE