



# Technical Bulletin

**Subject: Differences Between Phase II and Phase II ETA Transmissions**

**Group: 37**

**Number: 98-03**

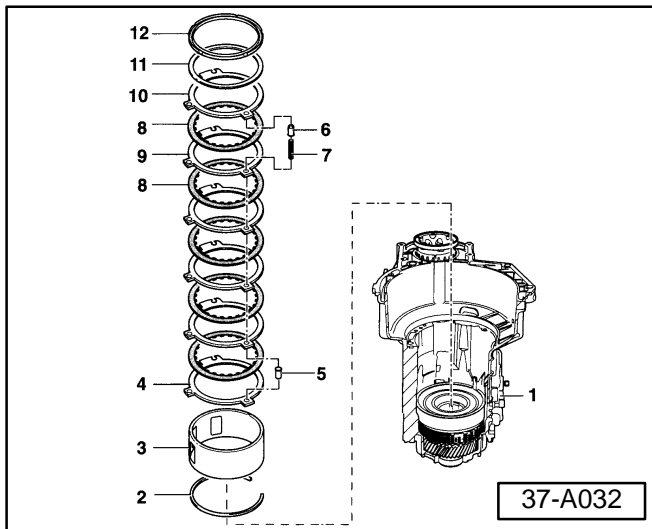
**Model(s): All with Automatic AG4 Transmission**

**Date: May 26, 1998**

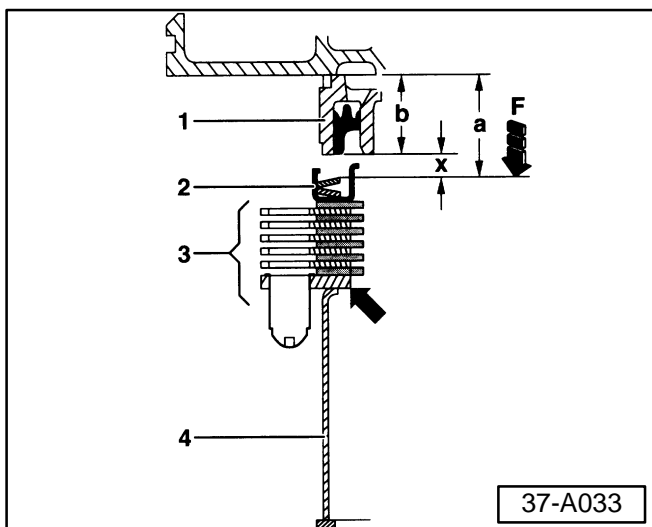
The following information lists the major changes between Phase II Transmissions built beginning 01.95 and Phase II ETA transmissions built beginning 01.97.

### B2 brake assembly:

◀ The Phase II B2 brake assembly wave washer has been replaced in the Phase II ETA B2 brake assembly by a round ring -12- with a "U" shaped cross section (item -2- detailed in illustration 37-A032).



◀ The two rings that fit into the round ring -2- touch on the outside edge and are apart on the inside edge (effect allows rings to act like a spring).



Transmission	Plates
Phase II	Uses 6 plates
Phase II ETA	Uses 4 plates

### K2 Clutch assembly:

Transmission	Plates
Phase II	Uses 5 plates
Phase II ETA	Uses 4 plates

(Cont. on Page 2)



# Technical Bulletin

**Note:**

*Transmission Control Module (TCM) software has been designed to compensate for the reduction of clutch plates in Phase II ETA transmissions.*

*Operating pressures have increased while shifting has become smoother.*

*Phase II ETA TCM's are NOT interchangeable with earlier Phase II TCM's! Doing so **WILL DAMAGE** the transmission.*

*Phase II ETA Transmission's are not compatible with Phase II TCM's. If a replacement of a transmission is necessary, ALWAYS check transmission code letters. ONLY install a transmission with the same code letters.*

**Valve body**

The function of valve 7 in the valve body has been changed in Phase II ETA transmissions.

Transmission	Valve 7 function
Phase II	Changes position of the diverter valve for the B2 brake and K3 clutch.
Phase II ETA	Changes position of K1 diverter valve to relieve oil pressure rapidly in the K1 during 3rd to 4th gear shift.

When using the VAG1551 Scan Tool or the Shift Pattern Box (see the AG4 Automatic Transmission Operation and Diagnosis Training Course Booklet) the following will be noticed:

	Phase II	Phase II ETA
During Shift	0000 11	0000 10
3rd gear	0000 01	0000 00
During Shift	0000 11	0000 10
4th gear	1100 01	1100 01