

WIRING DIAGRAMS
Article Text
 1993 Volkswagen EuroVan
 For Volkswagen Technical Site
 Copyright © 1998 Mitchell Repair Information Company, LLC
 Saturday, March 18, 2000 10:40PM

ARTICLE BEGINNING

1993 WIRING DIAGRAMS
 Volkswagen Wiring Diagrams

Volkswagen; EuroVan

COMPONENT LOCATION MENU

COMPONENT LOCATIONS TABLE

AAAAAAAAAAAAAAAAAAAAAAAAAAAAAAAAAAAAAAAAAAAAAAAAAAAAAAAAAAAAAAAAAAAAAAAA

Component	Figure No. (Location)
A/C COMPRESSOR CLUTCH	6 (D 22)
A/C COMP CLUTCH SHUTOFF RELAY	6 (D 23)
A/C SWITCH	6 (E 20-21)
ABS CONTROL UNIT	4 (A-B 12)
ABS HYDRAULIC UNIT	4 (C 13-14)
ALTERNATOR	1 (B 3)
AUXILIARY BATTERY	1 (C 3)
BACK-UP LIGHT SWITCH (M/T)	8 (E 28)
BATTERY	1 (A 2)
BATTERY CUT-OUT RELAY	1 (C 3)
CENTRAL LOCKING CB	10 (B 37)
CENTRAL LOCKING SYSTEM	10 (B-E 36-39)
CIGARETTE LIGHTER/LIGHT	8 (A 28)
COOLANT FANS (W/ A/C)	4 (C-E 12-15)
CRUISE CONTROL SWITCH	3 (E 11)
CRUISE CONTROL UNIT	3 (D-E 8)
DEFOGGER SWITCH	8 (E 29)
DIR SWITCH	6 (A 22)
DOOR SWITCHES	11 (E 43)
EMERGENCY FLASHER SWITCH	6 (A 20-22)
ENGINE CONTROL MODULE (ECM)	2 (A-B 7)
ENGINE CONTROL MODULE (CALIF)	2 (D-E 7)
ENGINE PUMP COOLANT RELAY	7 (A 26)
FRESH AIR SWITCH (W A/C)	6 (E 22)
FRESH AIR SWITCH (W/O A/C)	9 (E 32-33)
FRESH AIR SWITCH ILLUM LIGHT	6 (E 20)
FUEL INJECTORS	2 (A 5, C 5)
FUSE #23	6 (D 20)
FUSE #42 (W A/C)	4 (C 12, E 12)
FUSE #42 (W/O A/C)	1 (D 2, E 2)
FUSE #51	6 (D 20)
FUSE #78	7 (A 26)
FUSE #92	5 (E 17)
FUSE RELAY PANEL	5,6,7,8 (B-D 16-31)
HEATED O2 SENSOR	2 (A 4, D 4)
HEATED SEATS	11 (C-E 40-41)
HEATER AIR BLOWER RELAY	10 (D 39)
HEATER BLOWER RELAY	9 (E 35)
IGNITION COIL	2 (B 4, D-E 4)

WIRING DIAGRAMS

Article Text (p. 2)

1993 Volkswagen EuroVan

For Volkswagen Technical Site

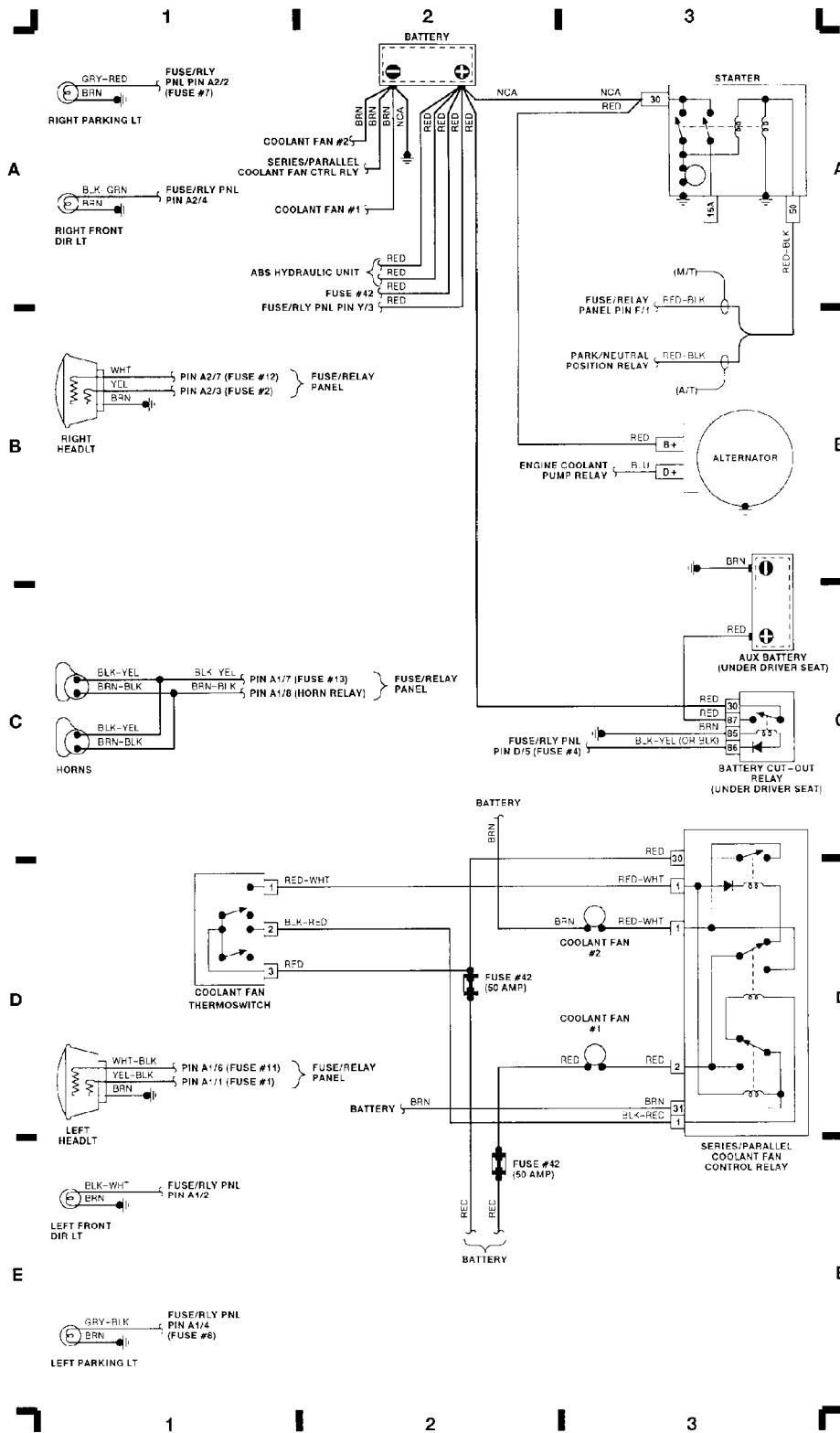
Copyright © 1998 Mitchell Repair Information Company, LLC

Saturday, March 18, 2000 10:40PM

IGNITION SWITCH 5 (A 16-17)
IN-LINE ABS FUSE 4 (A 13)
INSTRUMENT CLUSTER 9 (A-D 32-33)
INTERIOR LIGHTS 9 (B-C 33-35)
LIGHT SWITCH 5 (A 18-19)
MAKE-UP MIRRORS 11 (D-E 42)
MIRROR HEATER RELAY 11 (D 41)
MULTI-FUNCTION SWITCH 3 (C-D 11)
PARK/NEUTRAL POSITION RELAY 3 (A 8)
POWER MIRROR SYSTEM 11 (B-D 42)
POWER STEERING SWITCH 2 (C 5, E 5)
POWER WINDOW CB 10 (B 37)
POWER WINDOW SYSTEM 10 (A-B 36-39)
PROGRAM SWITCH 3 (A-B 8)
SERIES/PARALLEL COOLANT FAN CNTRL RLY (W/O A/C) 1 (D 3)
STARTER 1 (A 3)
STOP LIGHT SWITCH 8 (A 29)
TRANSMISSION CONTROL MODULE 3 (A-C 11)
VACUUM VENT VALVE 3 (E 9)
WINDSHIELD WIPER SYSTEM 7 (E 24-27)
WARM AIR BLOWER SWITCH 9 (D-E 35)
WARNING MODULE 8 (A 29-30)
2ND EVAPORATOR A/C SWITCH 11 (A 40)
AAAAAAAAAAAAAAAAAAAAAAAAAAAAAAAAAAAAAAAAAAAAAAAAAAAAAAAAAAAAAAAAAAAAAAAA

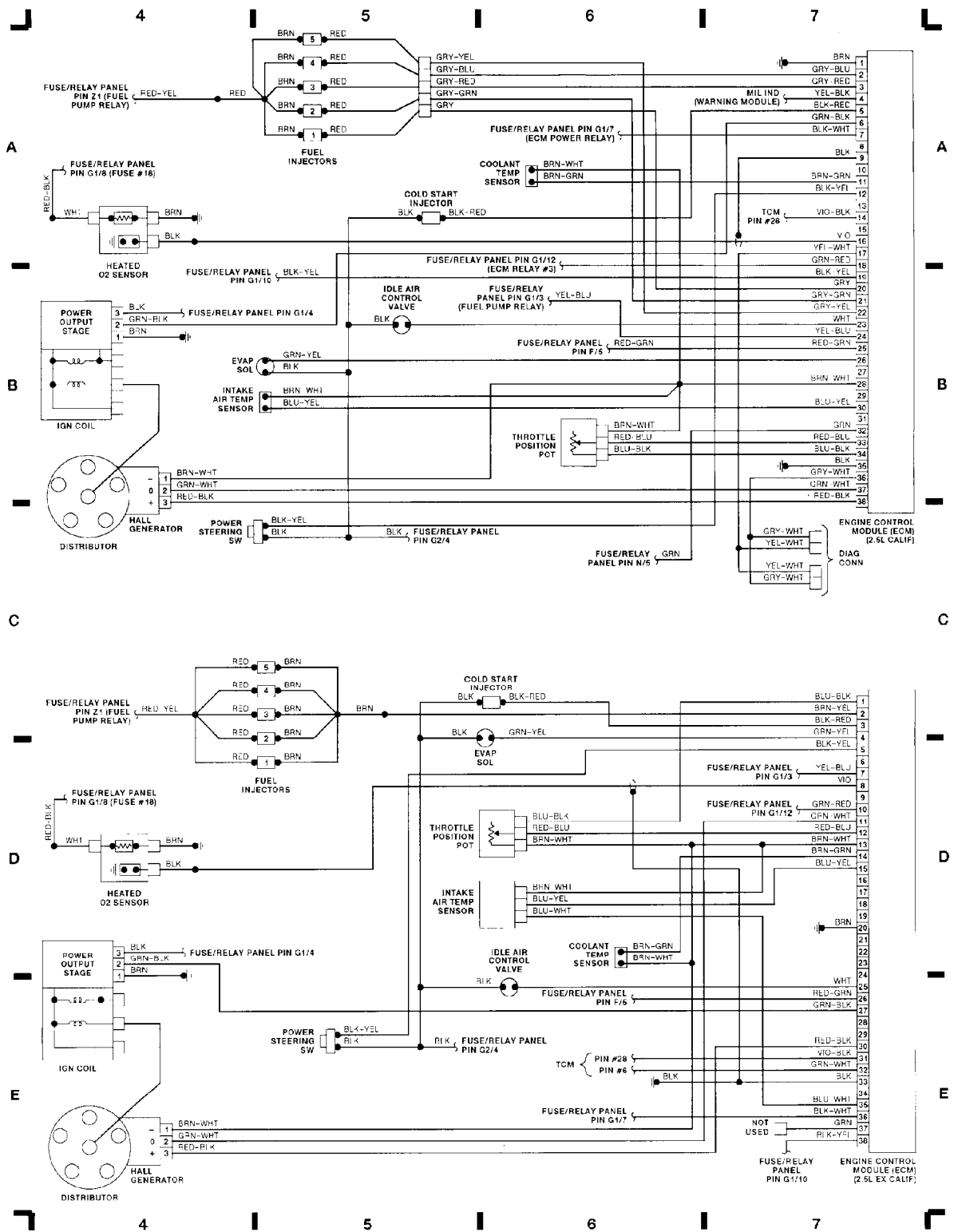
WIRING DIAGRAMS

WIRING DIAGRAMS
Article Text (p. 3)
 1993 Volkswagen EuroVan
 For Volkswagen Technical Site
 Copyright © 1998 Mitchell Repair Information Company, LLC
 Saturday, March 18, 2000 10:40PM



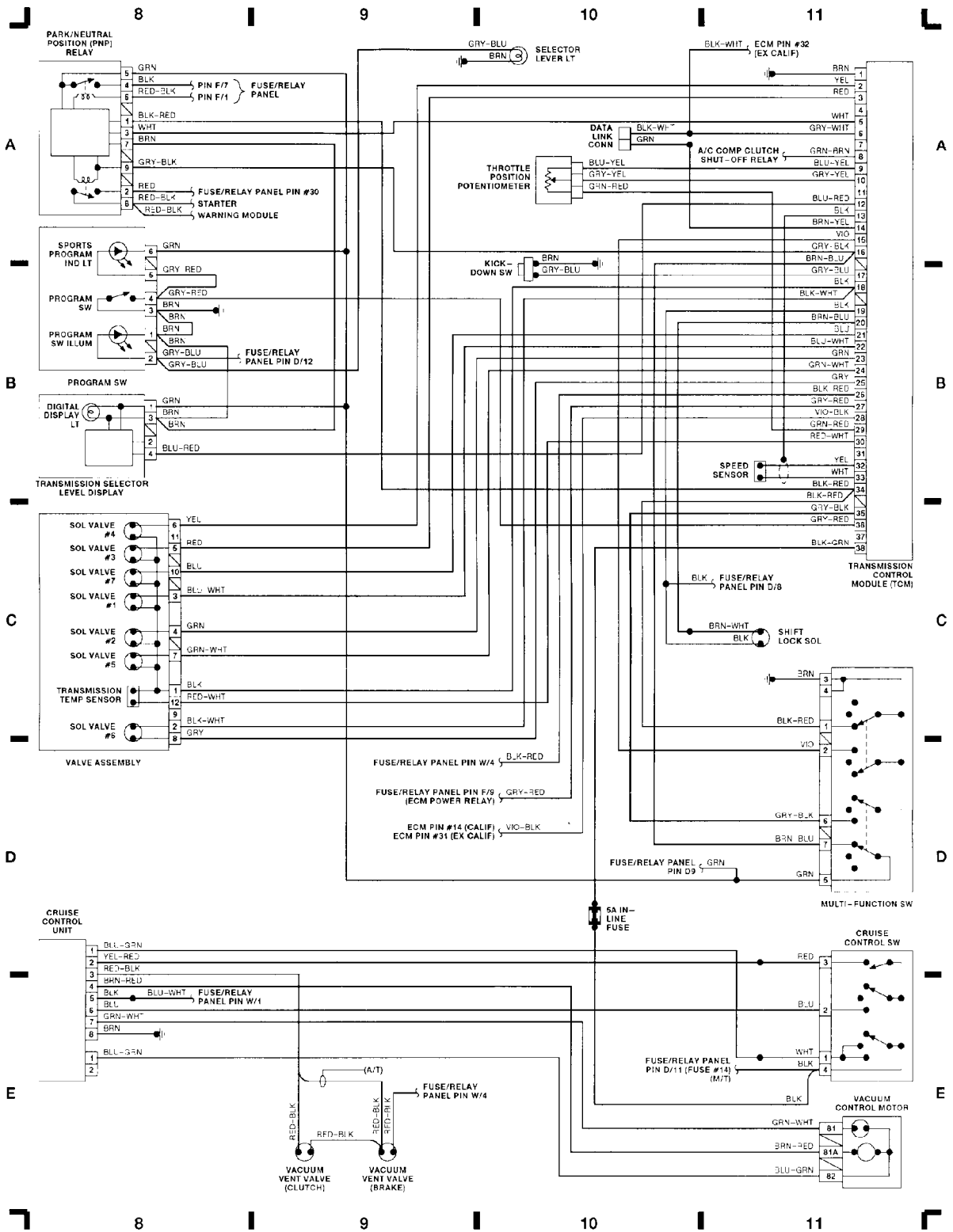
94E30977
 Fig. 1: Battery, Starter, Alternator (Grid 1-3)

WIRING DIAGRAMS
Article Text (p. 4)
 1993 Volkswagen EuroVan
 For Volkswagen Technical Site
 Copyright © 1998 Mitchell Repair Information Company, LLC
 Saturday, March 18, 2000 10:40PM



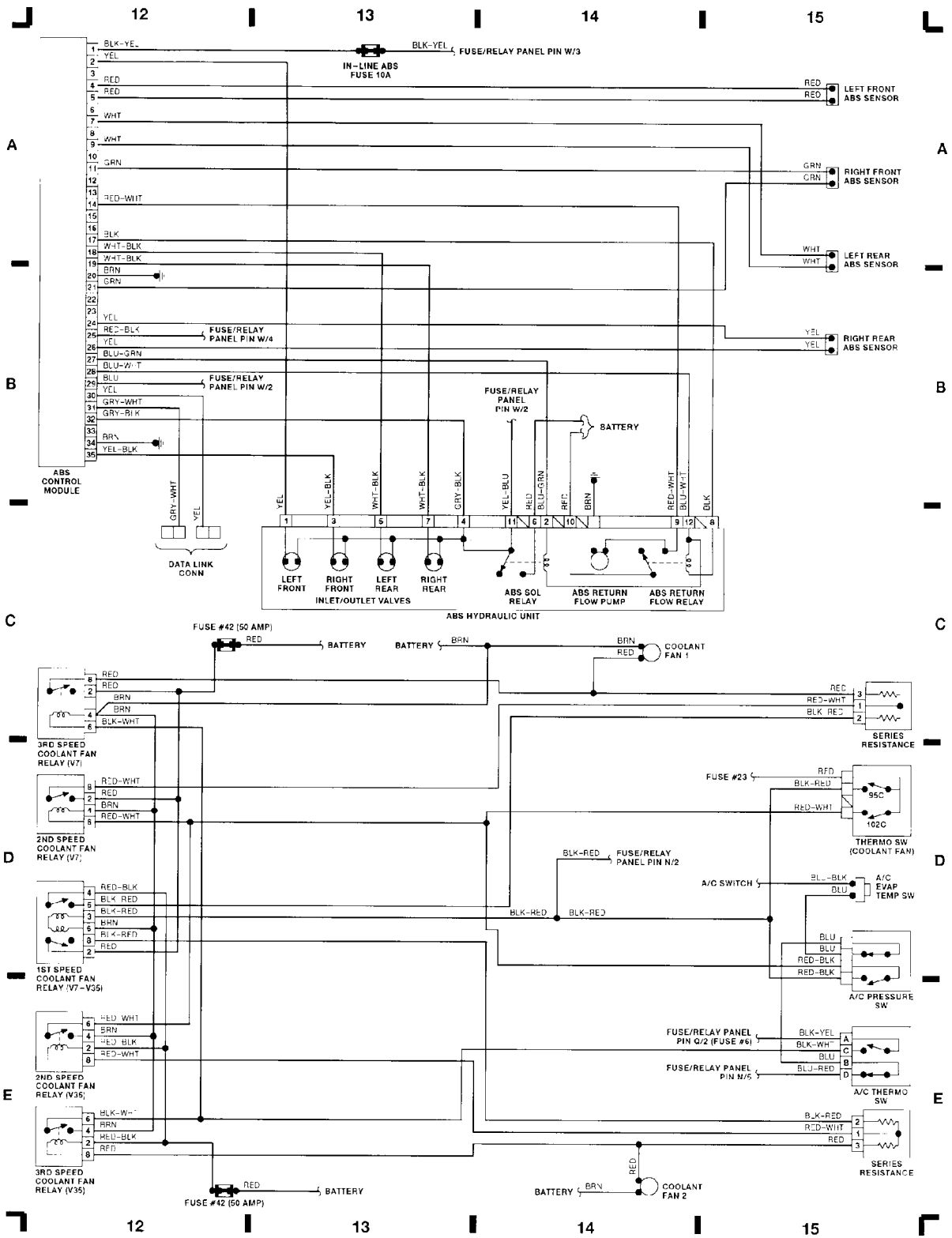
94F30978
 Fig. 2: Engine Control Modules (Grid 4-7)

WIRING DIAGRAMS
Article Text (p. 5)
 1993 Volkswagen EuroVan
 For Volkswagen Technical Site
 Copyright © 1998 Mitchell Repair Information Company, LLC
 Saturday, March 18, 2000 10:40PM



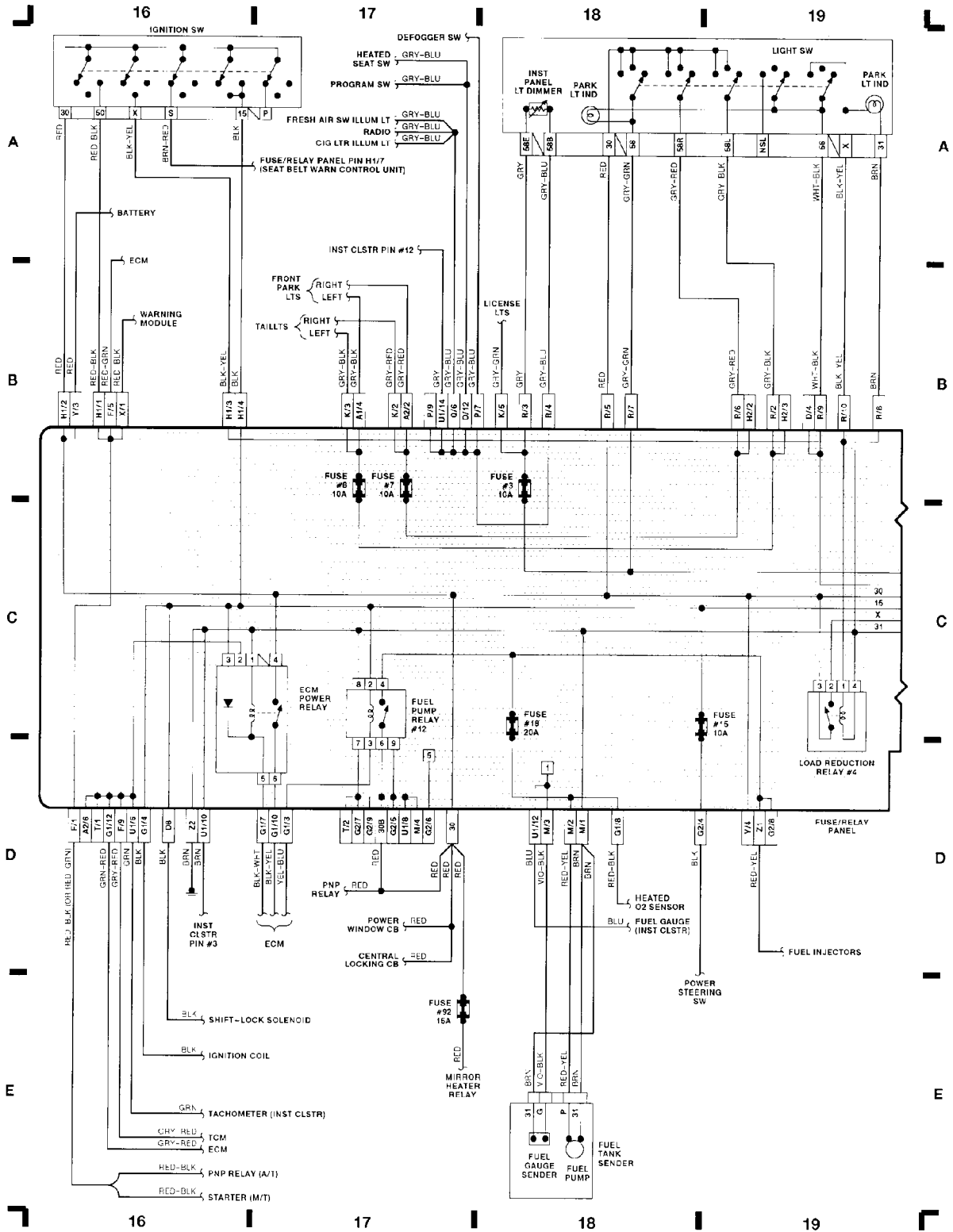
94G30979
 Fig. 3: Transmission Cntrl Module, Valve Assy (Grid 8-11)

WIRING DIAGRAMS
Article Text (p. 6)
 1993 Volkswagen EuroVan
 For Volkswagen Technical Site
 Copyright © 1998 Mitchell Repair Information Company, LLC
 Saturday, March 18, 2000 10:40PM



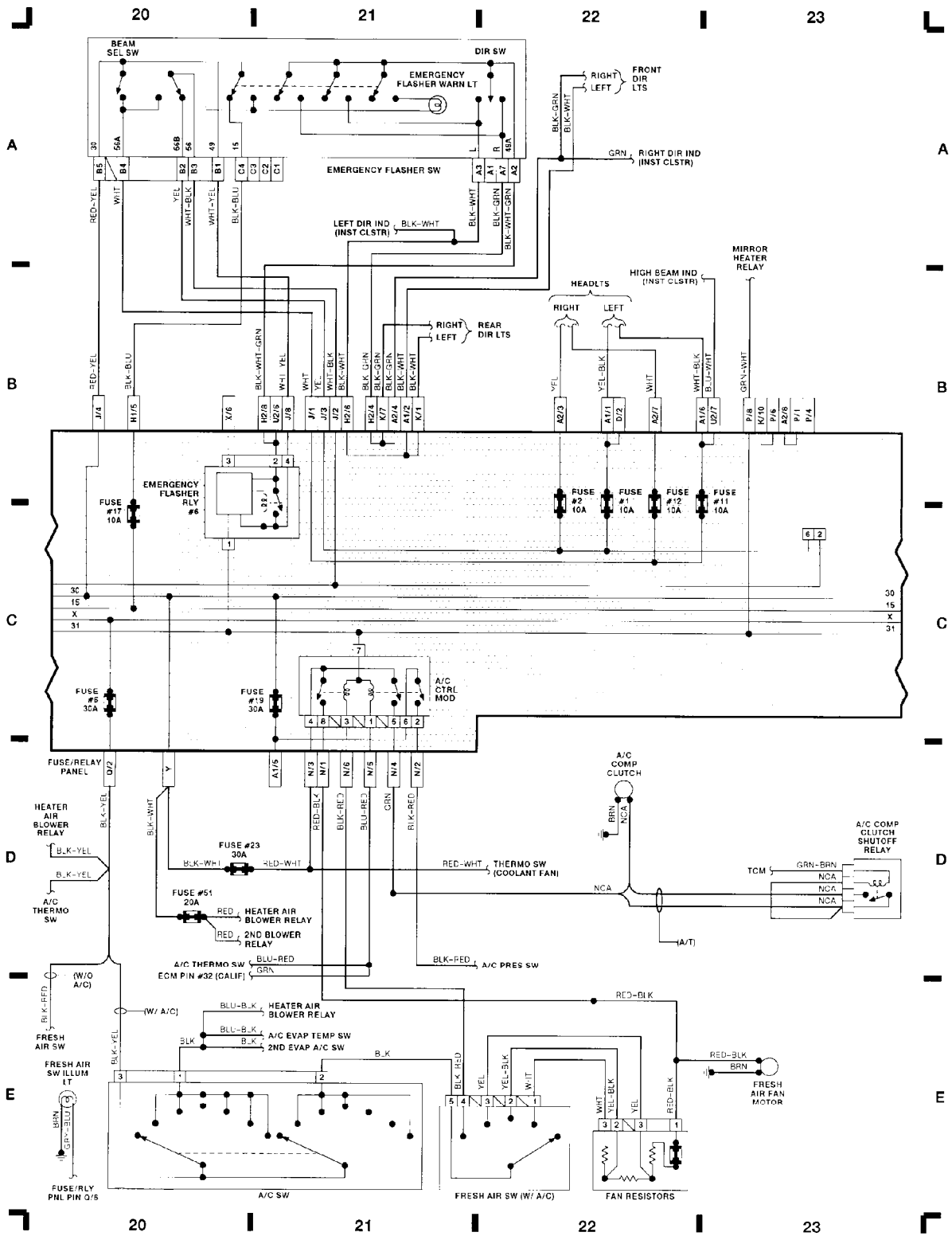
94J30980
 Fig. 4: ABS Control Module, ABS Hydraulic Unit (Grid 12-15)

WIRING DIAGRAMS
Article Text (p. 7)
 1993 Volkswagen EuroVan
 For Volkswagen Technical Site
 Copyright © 1998 Mitchell Repair Information Company, LLC
 Saturday, March 18, 2000 10:40PM



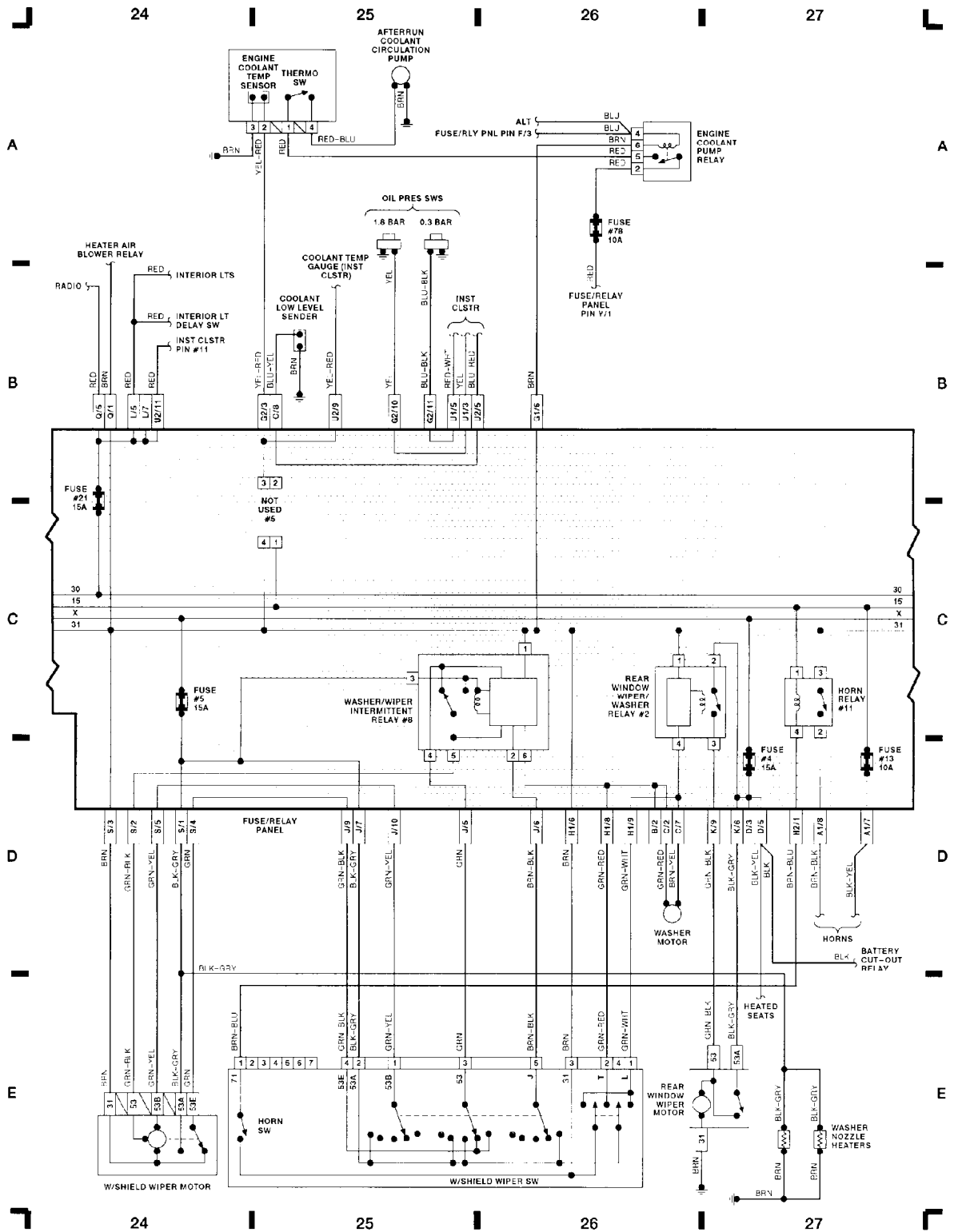
94A30981
 Fig. 5: Ignition SW, Fuse Relay Panel (Grid 16-19)

WIRING DIAGRAMS
Article Text (p. 8)
 1993 Volkswagen EuroVan
 For Volkswagen Technical Site
 Copyright © 1998 Mitchell Repair Information Company, LLC
 Saturday, March 18, 2000 10:40PM



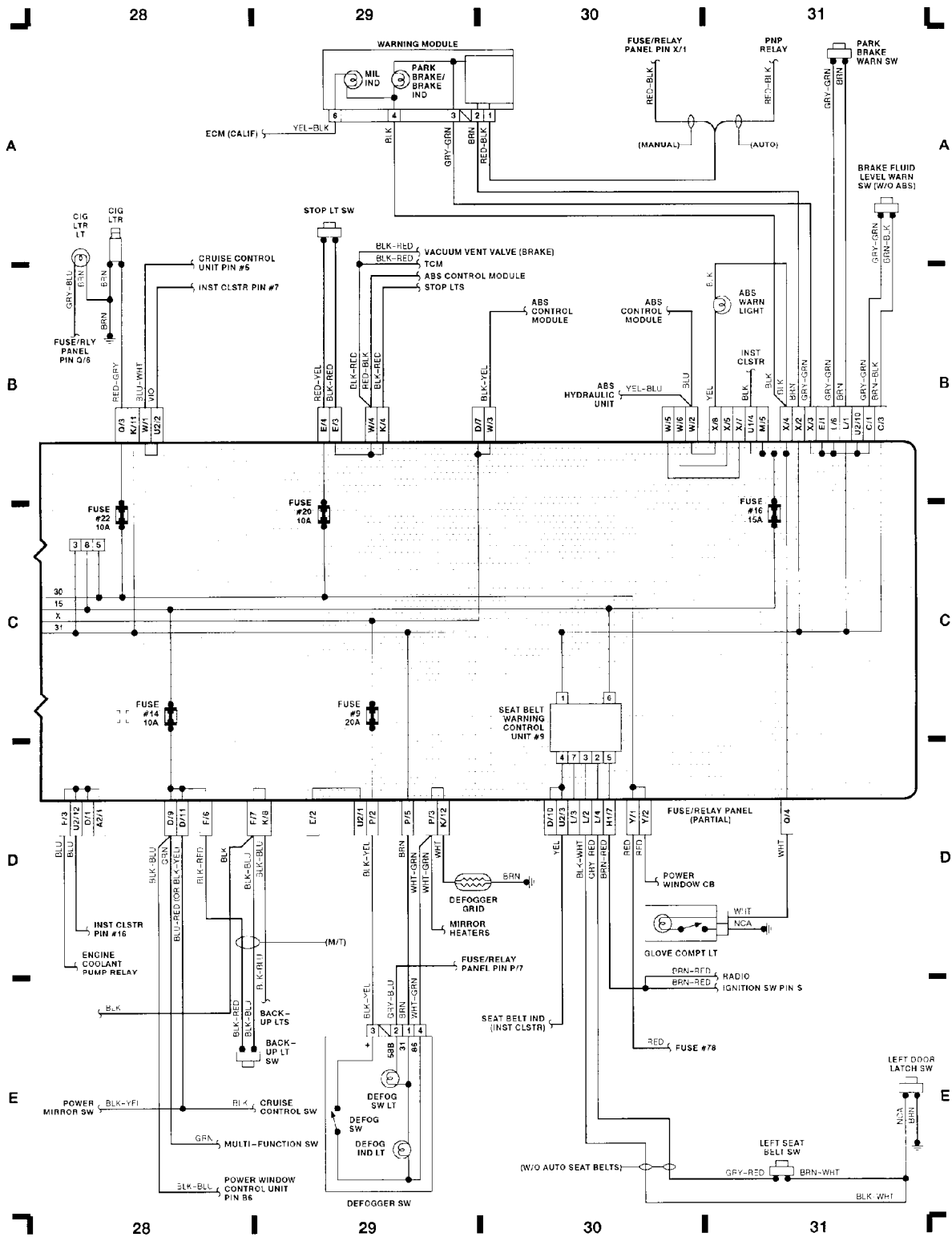
94B30982
 Fig. 6: Emergency Flasher SW, Fuse/Relay Panel (Grid 20-23)

WIRING DIAGRAMS
Article Text (p. 9)
 1993 Volkswagen EuroVan
 For Volkswagen Technical Site
 Copyright © 1998 Mitchell Repair Information Company, LLC
 Saturday, March 18, 2000 10:40PM



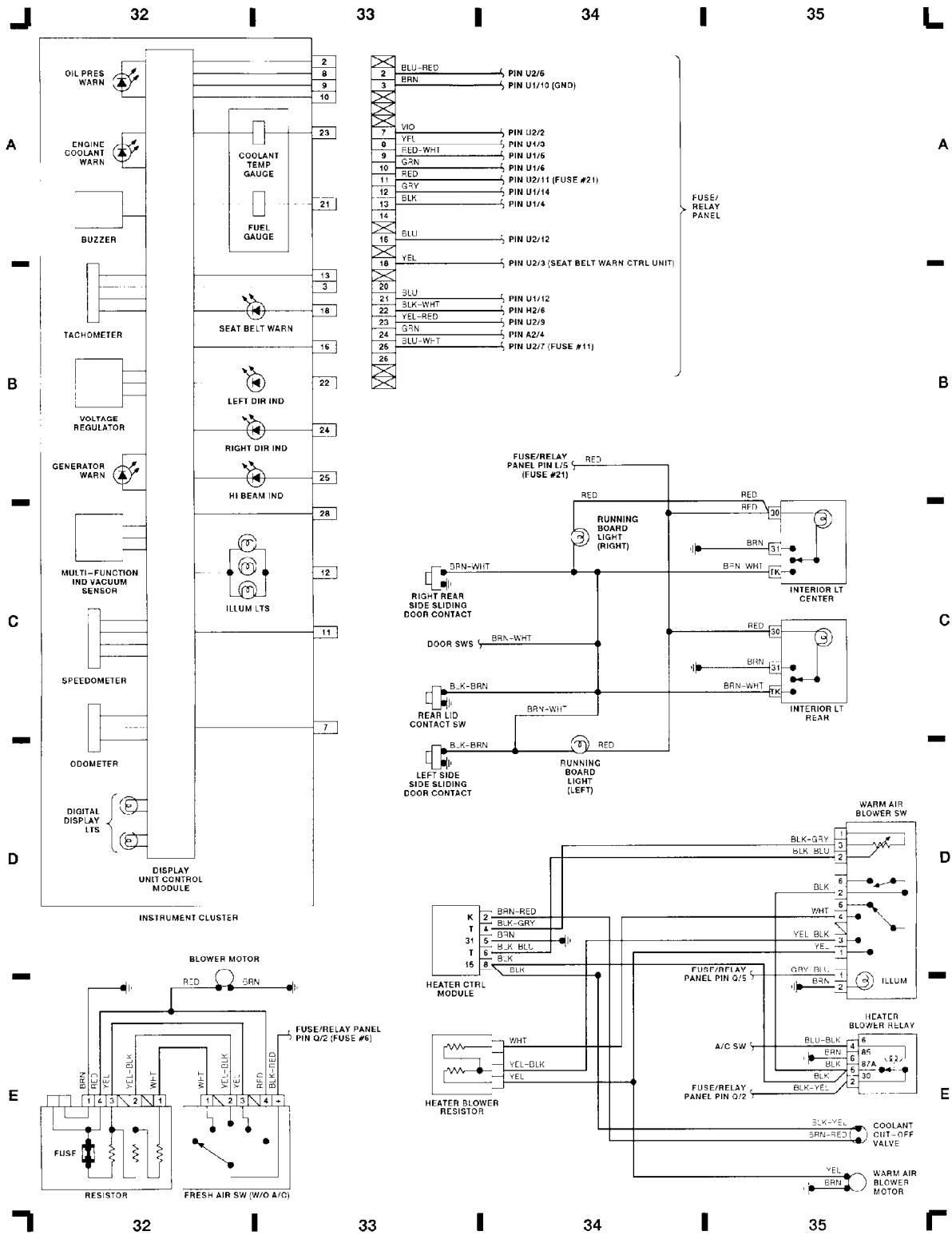
94C30983
 Fig. 7: Windshield Wiper SW & Motor, Fuse/Relay Panel (Grid 24-27)

WIRING DIAGRAMS
Article Text (p. 10)
 1993 Volkswagen EuroVan
 For Volkswagen Technical Site
 Copyright © 1998 Mitchell Repair Information Company, LLC
 Saturday, March 18, 2000 10:40PM



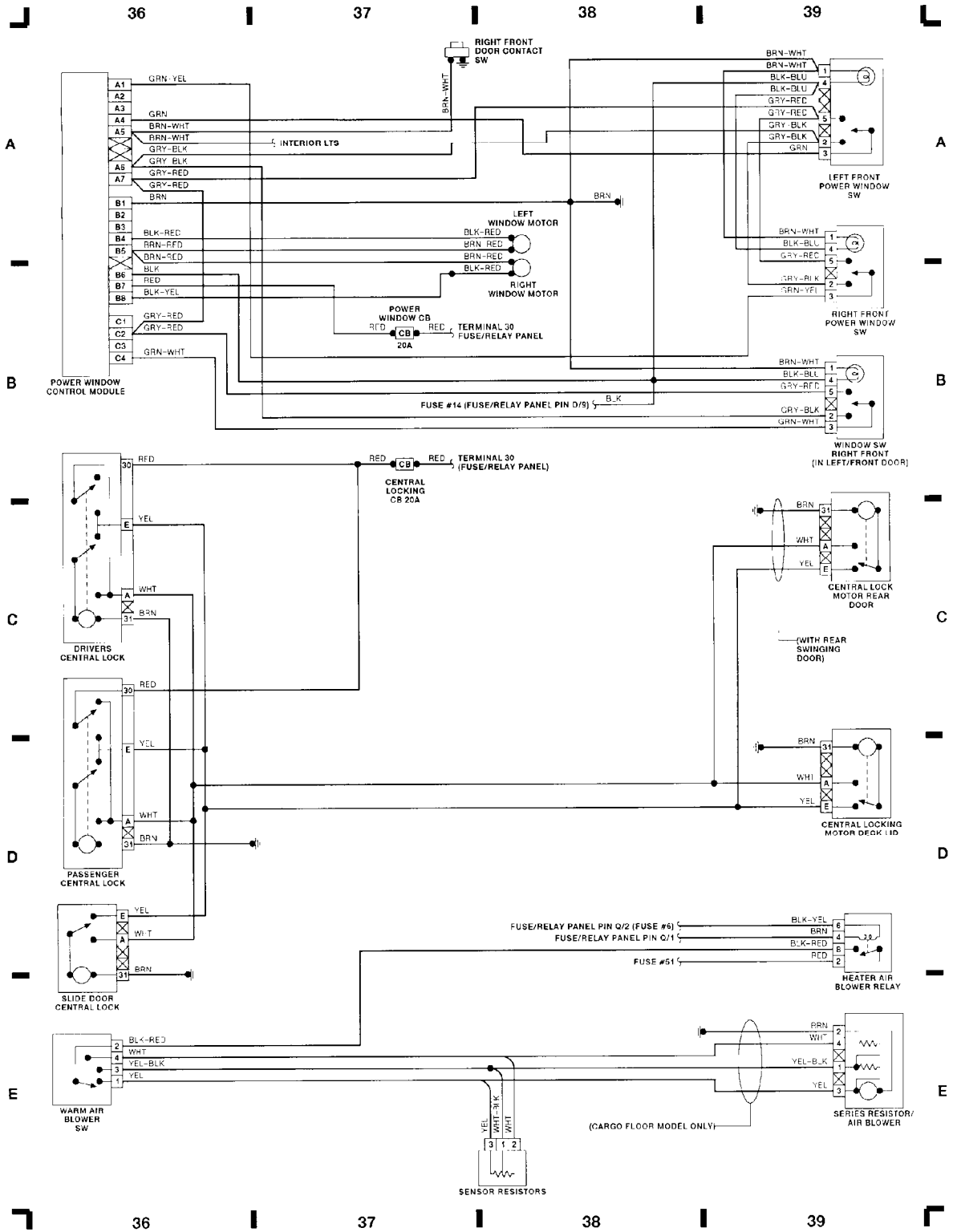
94D30984
 Fig. 8: Fuse/Relay Panel, Warning Module, Defogger SW (Grid 28-31)

WIRING DIAGRAMS
Article Text (p. 11)
 1993 Volkswagen EuroVan
 For Volkswagen Technical Site
 Copyright © 1998 Mitchell Repair Information Company, LLC
 Saturday, March 18, 2000 10:40PM



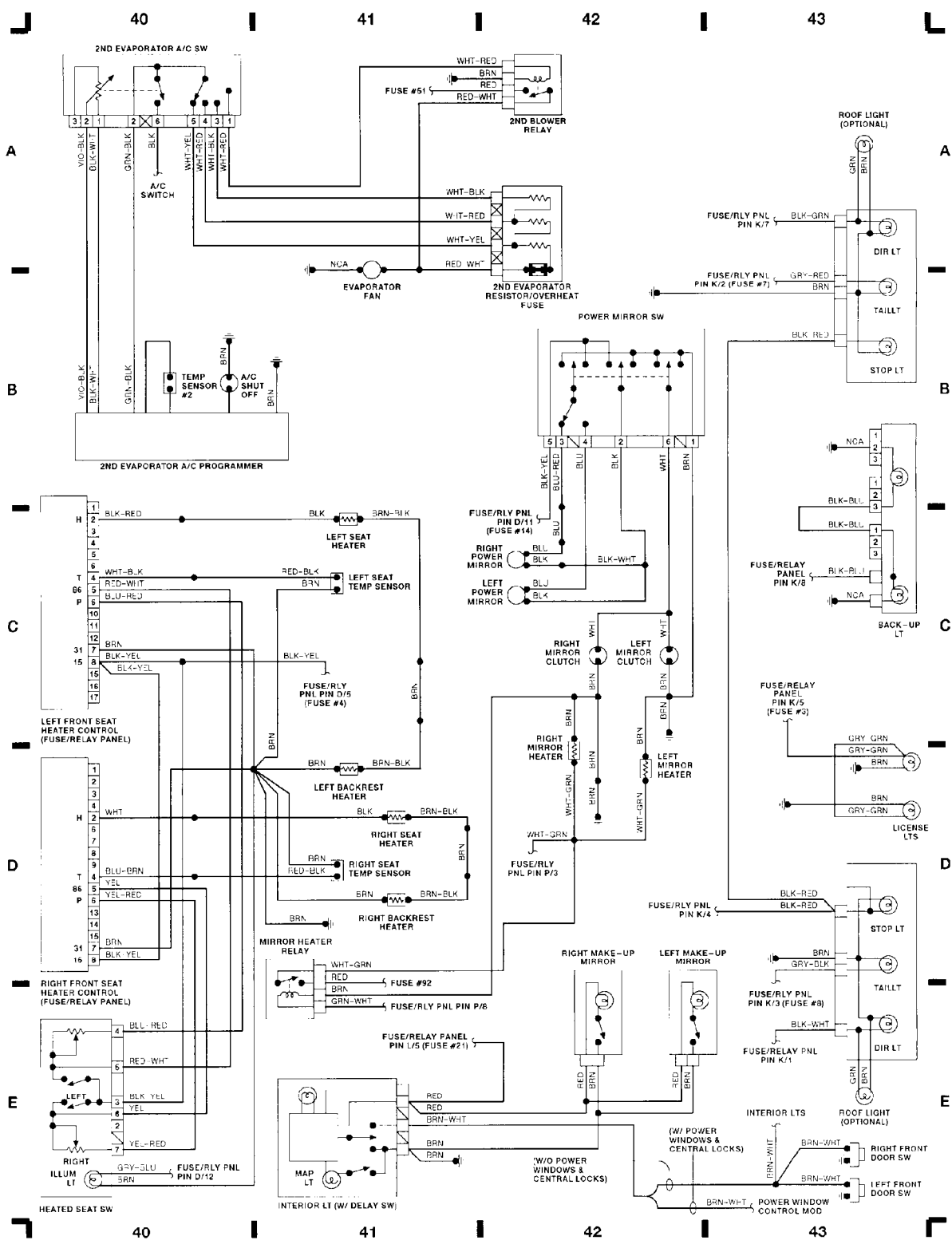
94F30985
 Fig. 9: Instrument Cluster, Resistor (Grid 32-35)

WIRING DIAGRAMS
Article Text (p. 12)
 1993 Volkswagen EuroVan
 For Volkswagen Technical Site
 Copyright © 1998 Mitchell Repair Information Company, LLC
 Saturday, March 18, 2000 10:40PM



94F30986
 Fig. 10: Power Window Cntrl Module, Driver Central Lock (Grid 36-39)

WIRING DIAGRAMS
Article Text (p. 13)
 1993 Volkswagen EuroVan
 For Volkswagen Technical Site
 Copyright © 1998 Mitchell Repair Information Company, LLC
 Saturday, March 18, 2000 10:40PM



94G30987
 Fig. 11: 2nd Evaporator A/C SW & Programmer (Grid 40-43)