

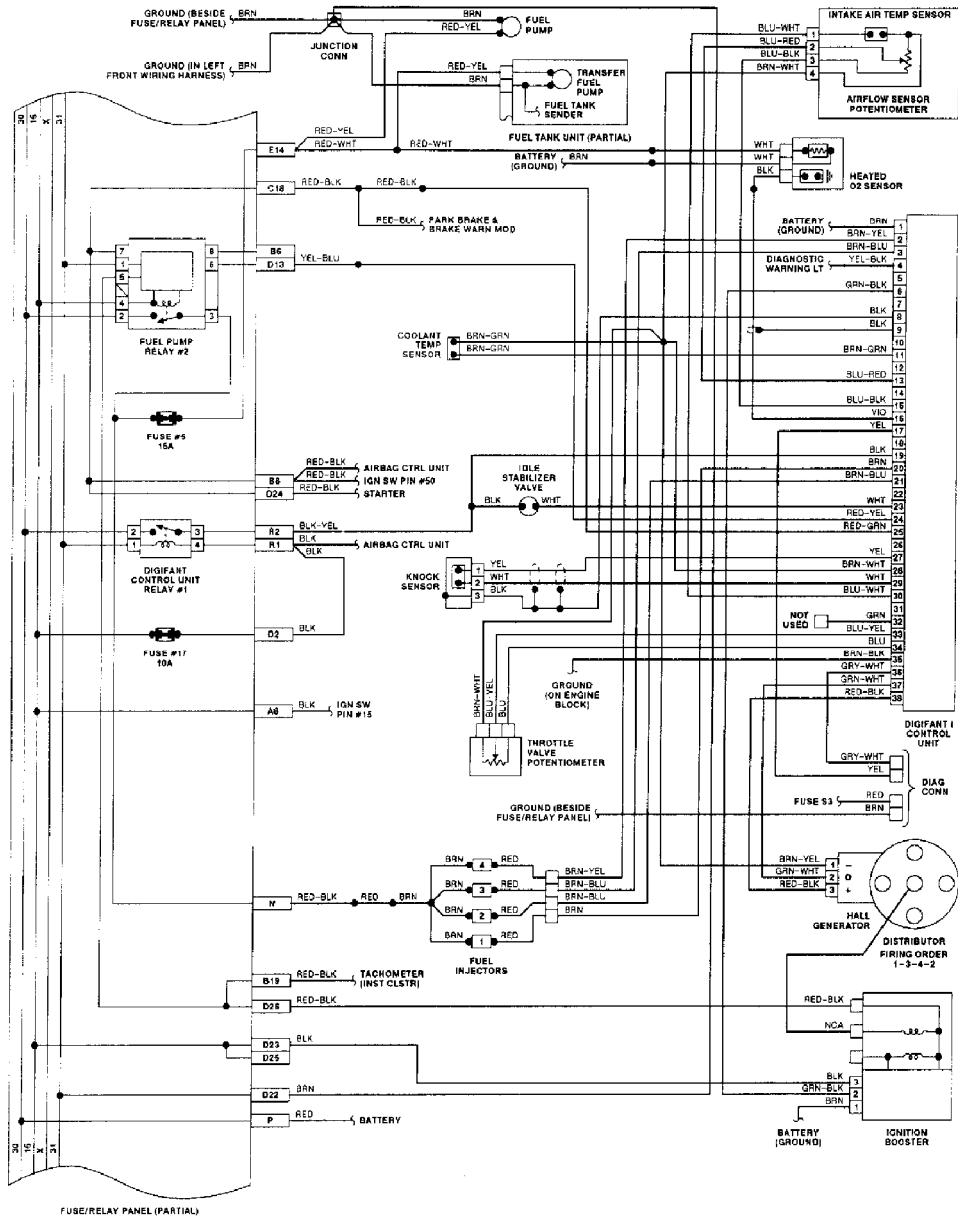
L - WIRING DIAGRAMS
Article Text
 1993 Volkswagen EuroVan
 For Volkswagen Technical Site
 Copyright © 1998 Mitchell Repair Information Company, LLC
 Saturday, March 18, 2000 10:34PM

ARTICLE BEGINNING

1993 ENGINE PERFORMANCE
 Volkswagen Wiring Diagrams

Cabriolet, Corrado, EuroVan, Fox, Golf, GTI, Jetta, Passat

WIRING DIAGRAMS



92A25510

Fig. 1: Wiring Diagram (Cabriolet 1.8L Digifant I - California)

L - WIRING DIAGRAMS

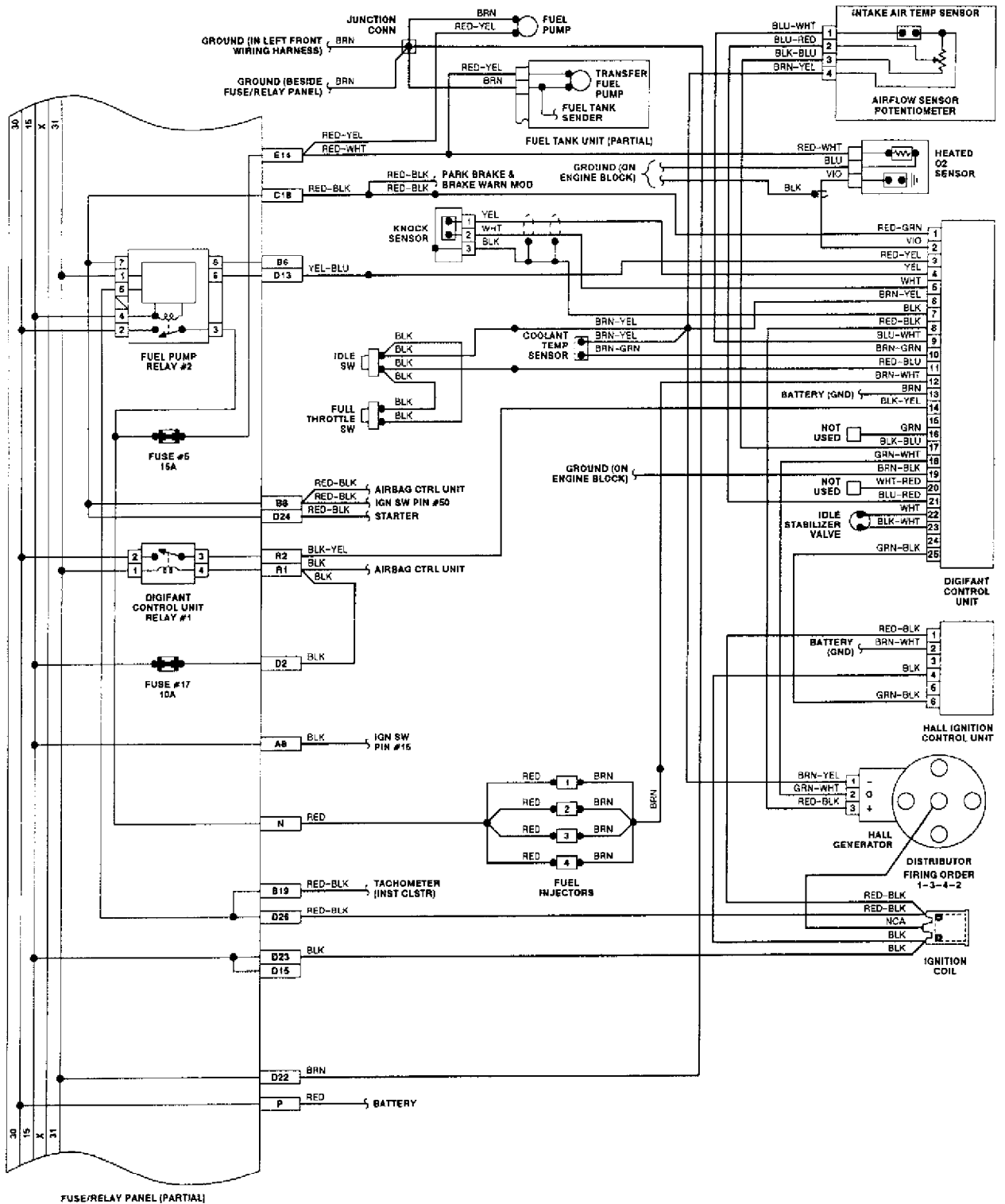
Article Text (p. 2)

1993 Volkswagen EuroVan

For Volkswagen Technical Site

Copyright © 1998 Mitchell Repair Information Company, LLC

Saturday, March 18, 2000 10:34PM



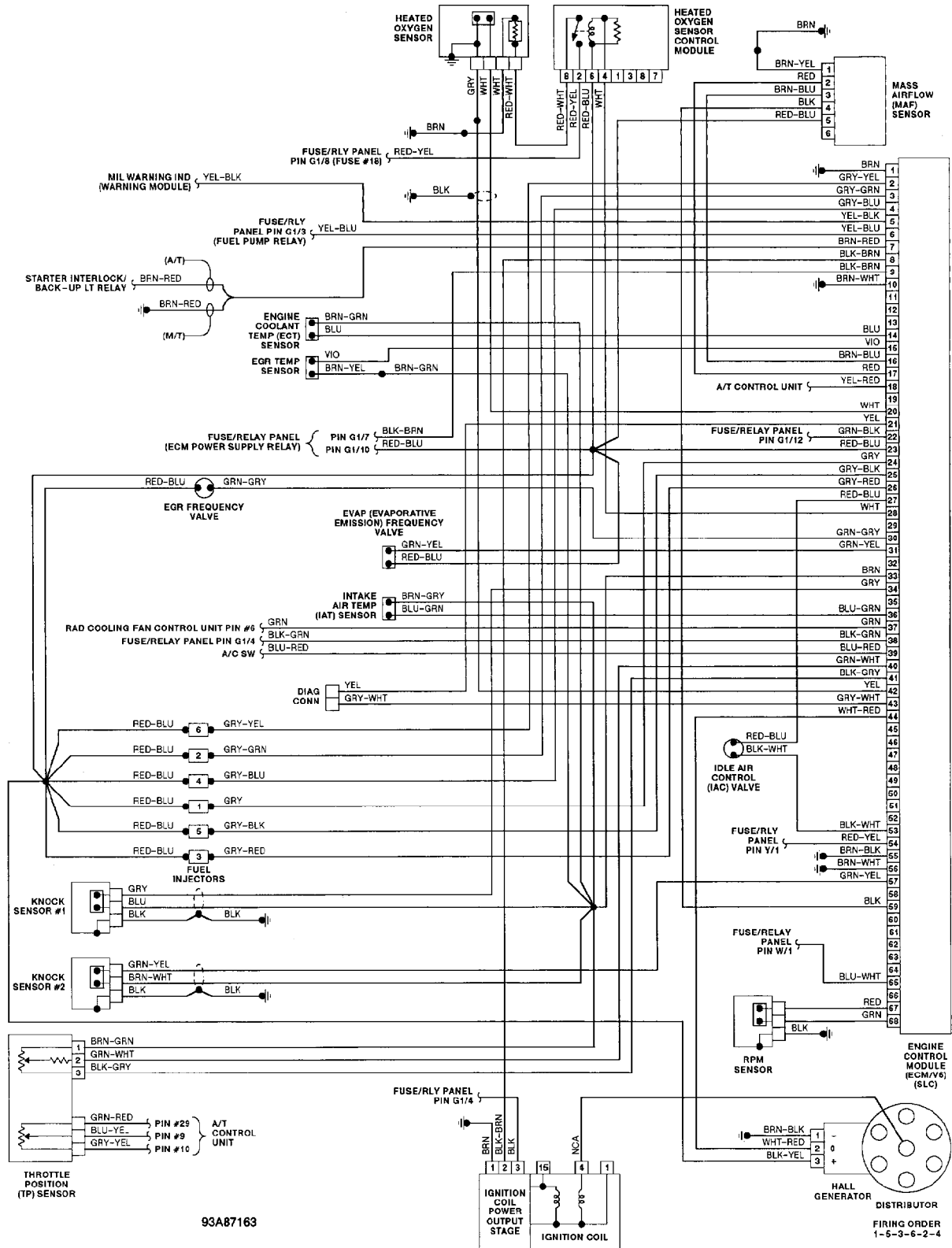
92B25511

Fig. 2: Wiring Diagram (Cabriolet 1.8L Digifant II)

L - WIRING DIAGRAMS

Article Text (p. 3)

1993 Volkswagen EuroVan
For Volkswagen Technical Site
Copyright © 1998 Mitchell Repair Information Company, LLC
Saturday, March 18, 2000 10:34PM



93A87163

Fig. 3: Wiring Diagram (Corrado SLC 2.8L)

L - WIRING DIAGRAMS

Article Text (p. 4)

1993 Volkswagen EuroVan

For Volkswagen Technical Site
Copyright © 1998 Mitchell Repair Information Company, LLC
Saturday, March 18, 2000 10:34PM

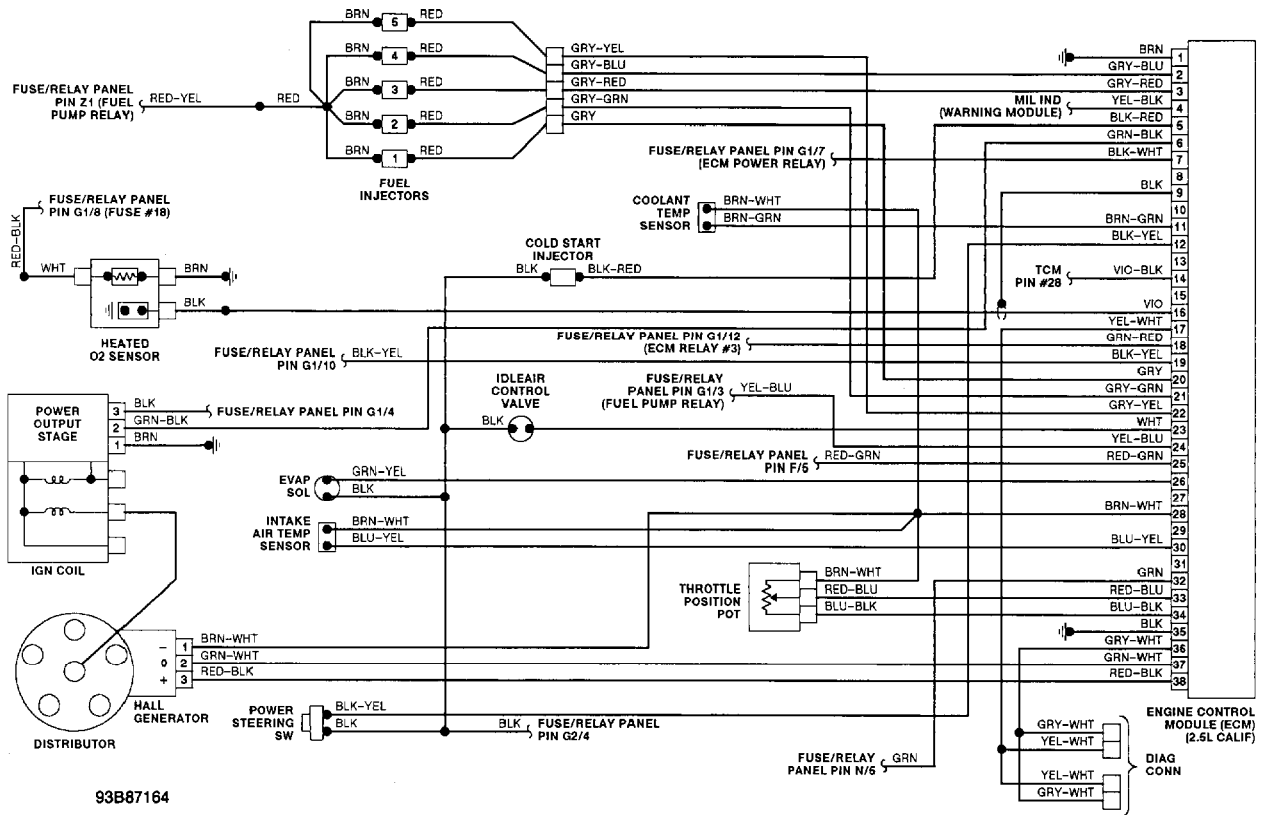


Fig. 4: Wiring Diagram (EuroVan 2.5L - California)

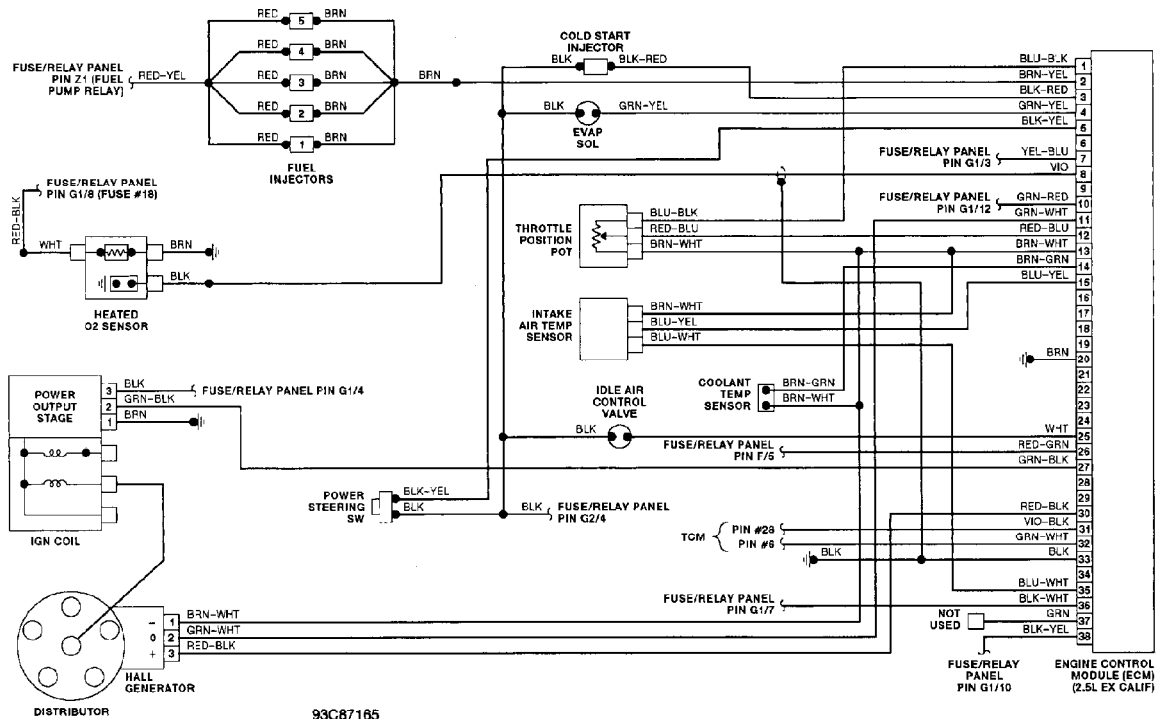
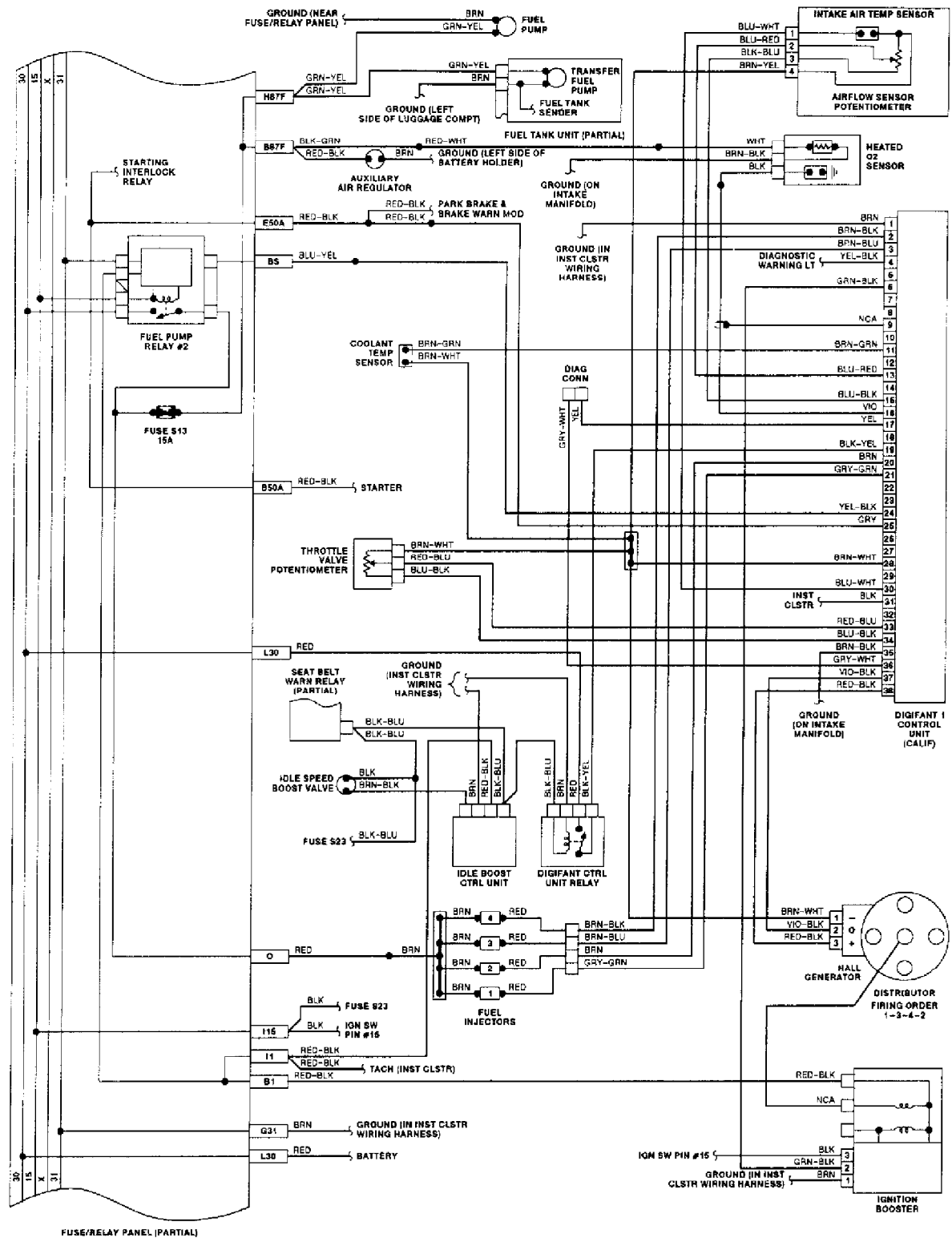


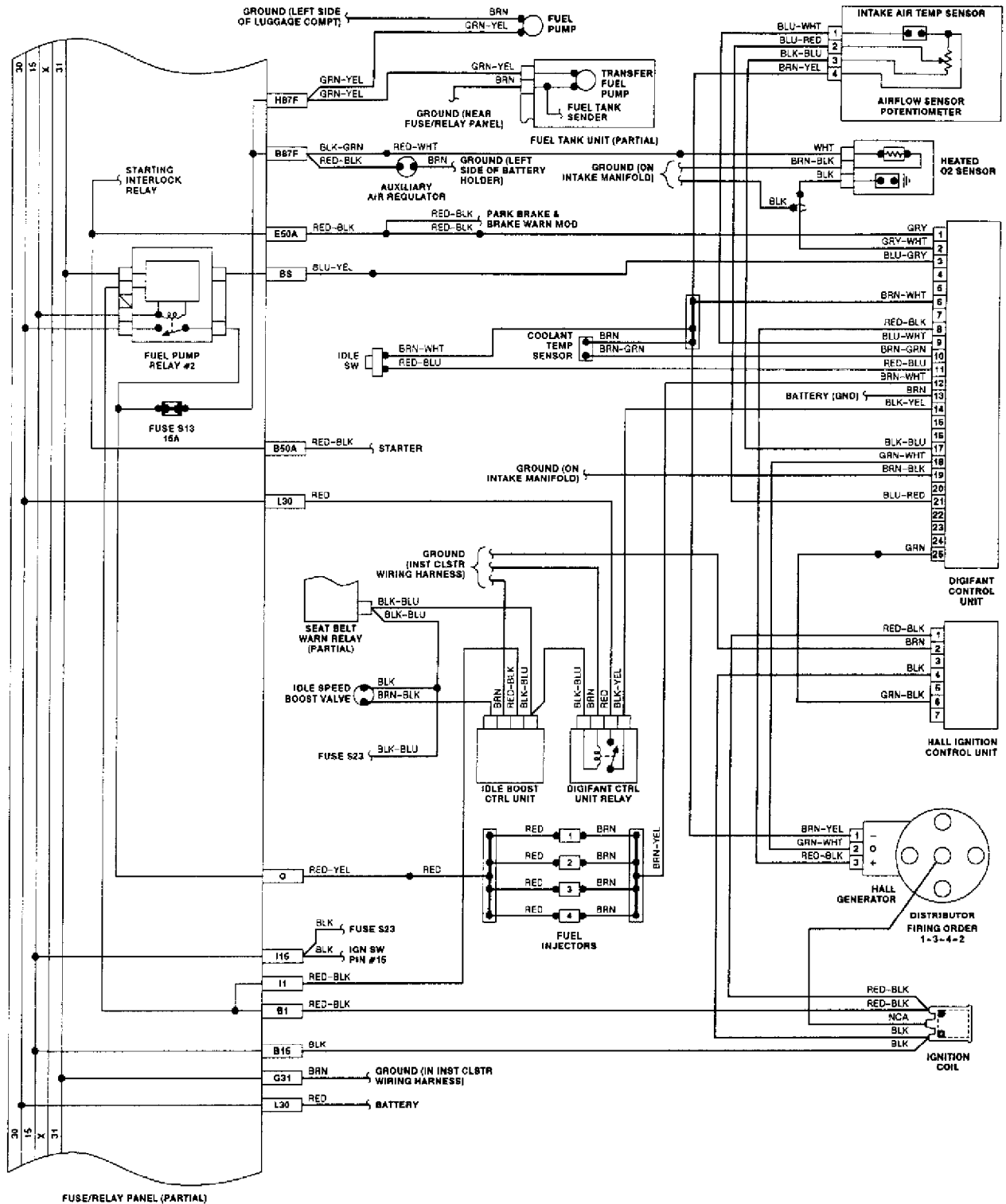
Fig. 5: Wiring Diagram (EuroVan 2.5L - Except California)

L - WIRING DIAGRAMS
Article Text (p. 5)
1993 Volkswagen EuroVan
For Volkswagen Technical Site
Copyright © 1998 Mitchell Repair Information Company, LLC
Saturday, March 18, 2000 10:34PM



92F25515
Fig. 6: Wiring Diagram (Fox 1.8L Digifant I - California)

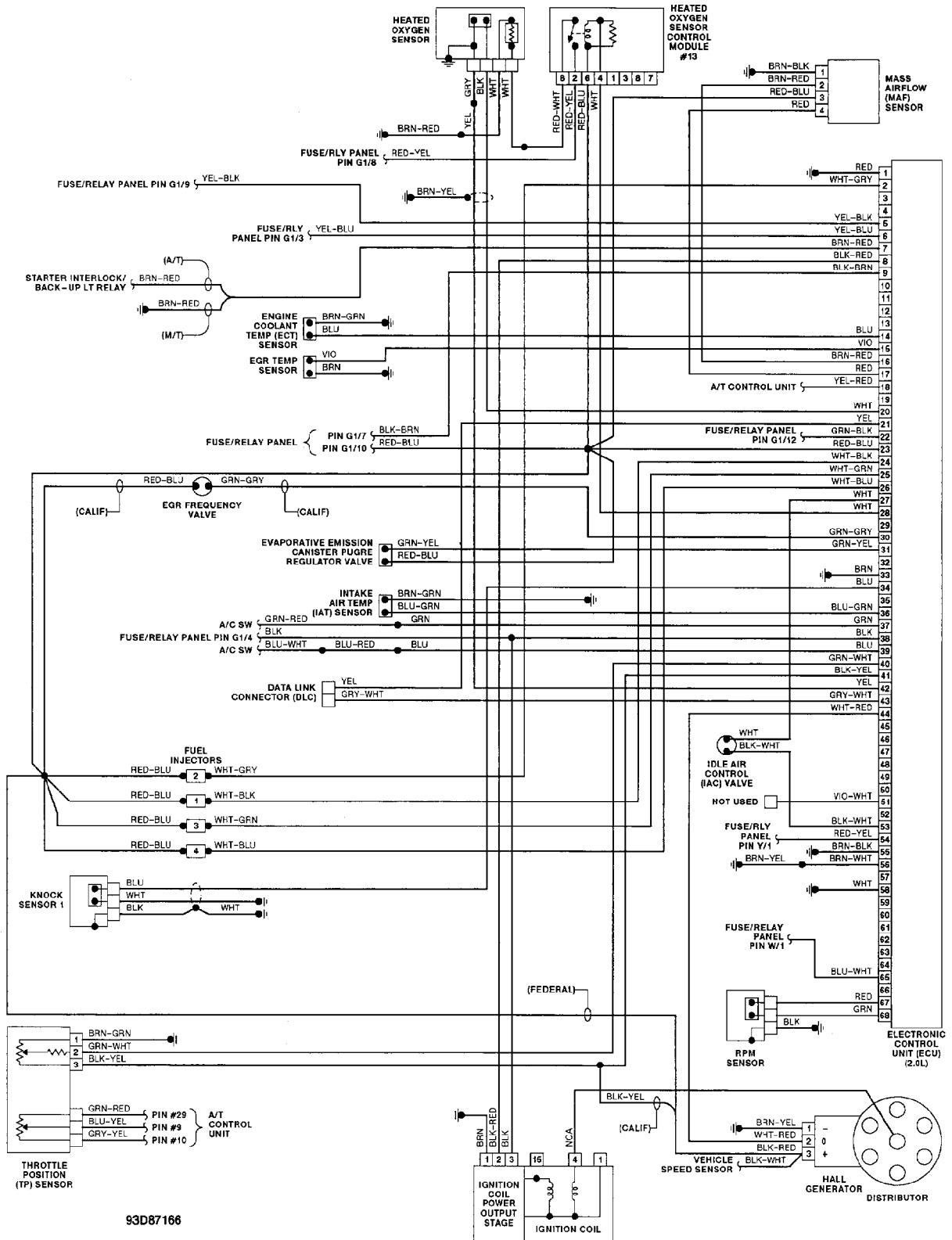
L - WIRING DIAGRAMS
Article Text (p. 6)
 1993 Volkswagen EuroVan
 For Volkswagen Technical Site
 Copyright © 1998 Mitchell Repair Information Company, LLC
 Saturday, March 18, 2000 10:34PM



92G25516

Fig. 7: Wiring Diagram (Fox 1.8L Digifant II)

L - WIRING DIAGRAMS
Article Text (p. 7)
 1993 Volkswagen EuroVan
 For Volkswagen Technical Site
 Copyright © 1998 Mitchell Repair Information Company, LLC
 Saturday, March 18, 2000 10:34PM



93D87166

Fig. 8: Wiring Diagram (Golf, GTI & Jetta - 2.0L)

L - WIRING DIAGRAMS
Article Text (p. 8)
 1993 Volkswagen EuroVan
 For Volkswagen Technical Site
 Copyright © 1998 Mitchell Repair Information Company, LLC
 Saturday, March 18, 2000 10:34PM

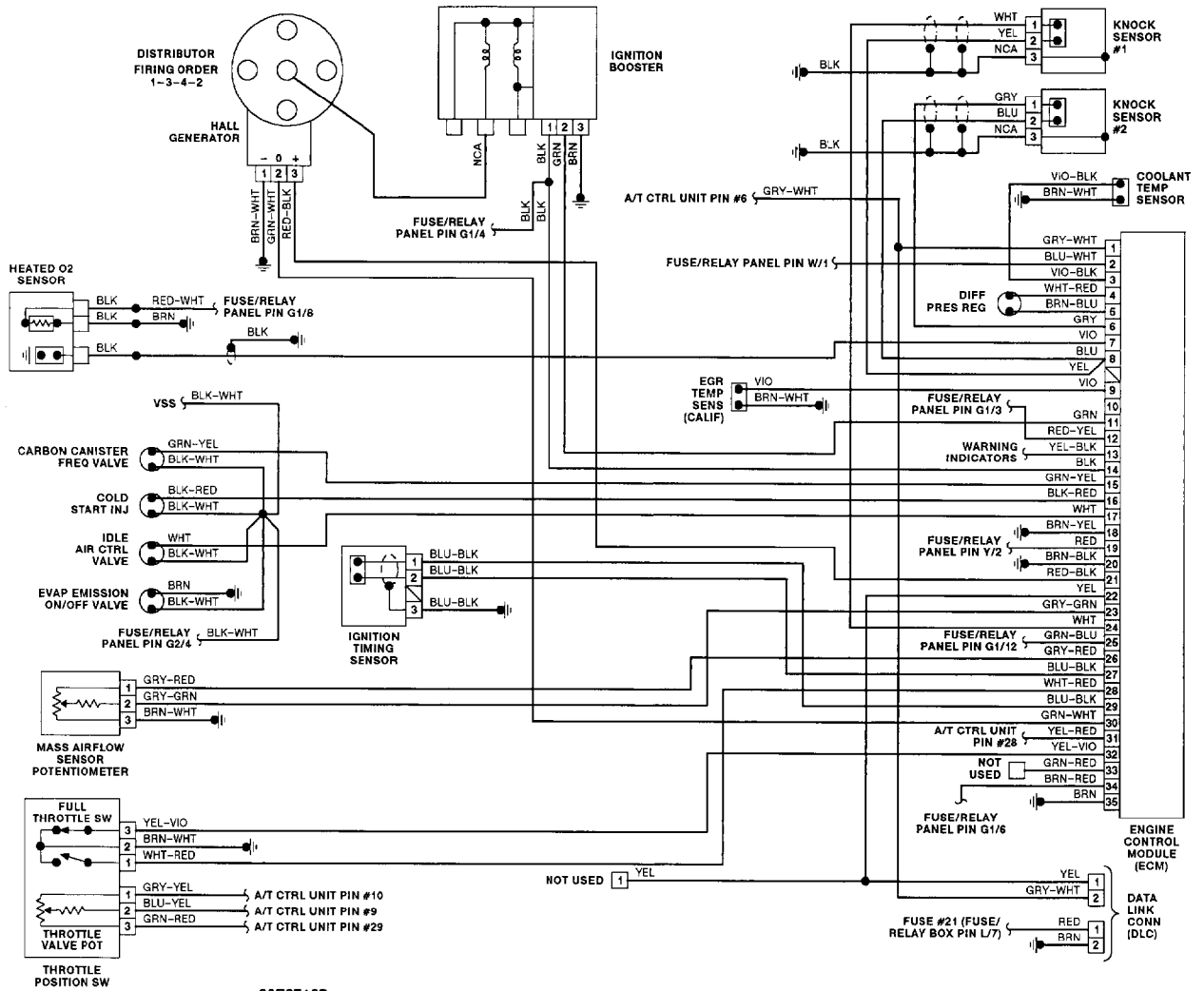


Fig. 9: Wiring Diagram (Passat 2.0L)

93E87167

L - WIRING DIAGRAMS
Article Text (p. 9)
 1993 Volkswagen EuroVan
 For Volkswagen Technical Site
 Copyright © 1998 Mitchell Repair Information Company, LLC
 Saturday, March 18, 2000 10:34PM

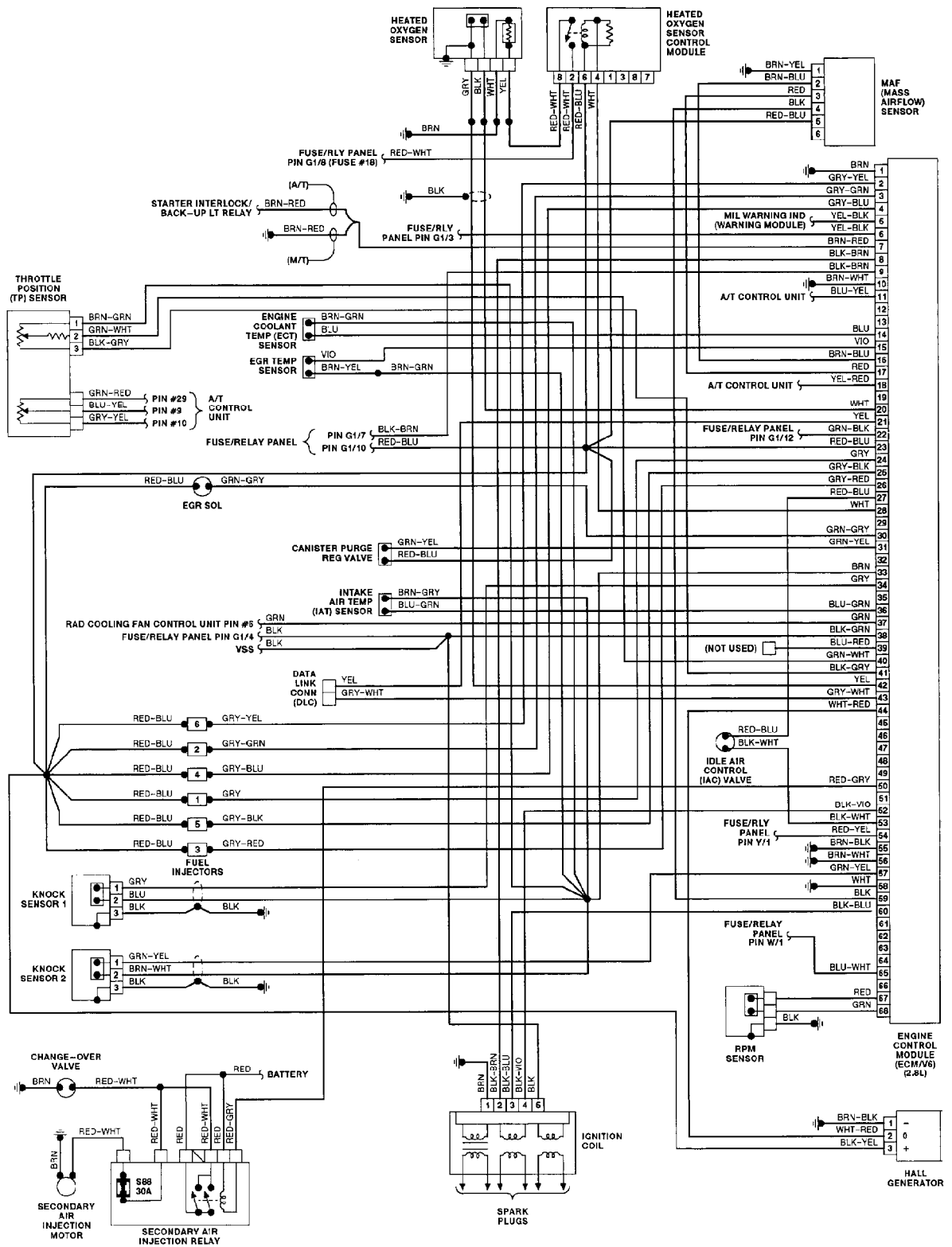


Fig. 10: Wiring Diagram (Passat 2.8L)

END OF ARTICLE