

WIPER/WASHER SYSTEM

Article Text

1993 Volkswagen EuroVan
For Volkswagen Technical Site
Copyright © 1998 Mitchell Repair Information Company, LLC
Saturday, March 18, 2000 10:40PM

ARTICLE BEGINNING

1993 ACCESSORIES & EQUIPMENT
Volkswagen Wiper/Washer Systems

Volkswagen; EuroVan

DESCRIPTION

All models are equipped with 2-speed wipers. A standard or optional intermittent feature is also available. The wiper control is the right lever on the steering column. Some models are equipped with a rear wiper/washer system.

ADJUSTMENTS

WIPER BLADE

To adjust wiper blade park position, ensure wiper motor is at park position. Locate wiper blade(s) above lower edge of windshield as specified. See WIPER BLADE PARK POSITION SPECIFICATION table. Secure wiper arm.

WIPER BLADE PARK POSITION SPECIFICATION TABLE

AA

Application	In. (mm)
-------------	----------

EuroVan

Front	(2)
-------------	-----

Rear	(1) 1.8 (45)
------------	--------------

(1) - Measured from top of blade to left edge of glass.

AA

TESTING

Testing information is not available from manufacturer.

REMOVAL & INSTALLATION

FRONT WIPER MOTOR

Removal

Open hood, and unplug wiring connector. Pry linkage off motor crank arm. Remove mounting bolts and motor. DO NOT remove motor bracket when removing motor.

Installation

Check crank arm alignment by running motor and allowing arm to park. Ensure crank arm is properly aligned. See Fig. 1. To complete

WIPER/WASHER SYSTEM

Article Text (p. 2)

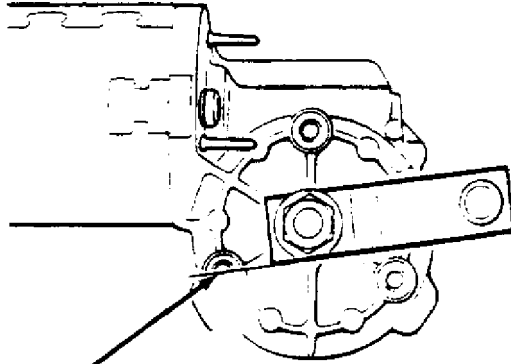
1993 Volkswagen EuroVan

For Volkswagen Technical Site

Copyright © 1998 Mitchell Repair Information Company, LLC

Saturday, March 18, 2000 10:40PM

installation, reverse removal procedure.



Lower Crank Arm Axis Must
Extend Through Center Of Hole

93F82854

Fig. 1: Aligning Front Wiper Motor Crank Arm)

Courtesy of Volkswagen United States, Inc.

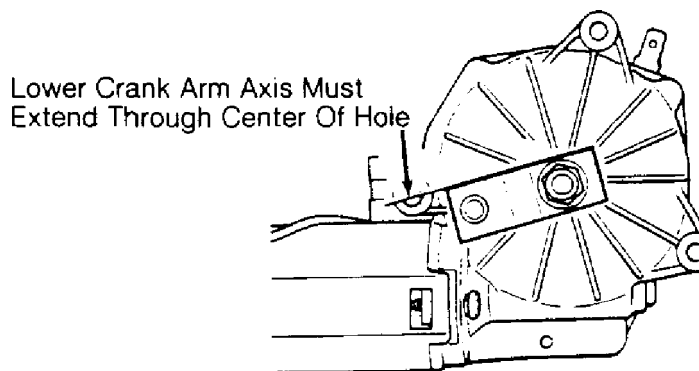
REAR WIPER MOTOR

Removal

Remove inner trim panel on rear hatch. Unplug wiring connector, and pry linkage off motor crank arm. Remove motor crank arm, motor bolts and motor.

Installation

Check crank arm alignment by running motor and allowing arm to park. Install crank arm in correct position. See Fig. 2. Ensure motor is in Park and install wiper blade arm. Reverse removal procedure to complete installation.



Lower Crank Arm Axis Must
Extend Through Center Of Hole

93I82857

Fig. 2: Aligning Rear Motor Crank Arm (EuroVan)

Courtesy of Volkswagen United States, Inc.

WIPER/WASHER SYSTEM

Article Text (p. 3)

1993 Volkswagen EuroVan

For Volkswagen Technical Site

Copyright © 1998 Mitchell Repair Information Company, LLC

Saturday, March 18, 2000 10:40PM

WIRING DIAGRAMS

See appropriate chassis wiring diagram in WIRING DIAGRAMS.

END OF ARTICLE