

## M - VACUUM DIAGRAMS

### Article Text

1993 Volkswagen EuroVan  
For Volkswagen Technical Site  
Copyright © 1998 Mitchell Repair Information Company, LLC  
Saturday, March 18, 2000 10:34PM

## ARTICLE BEGINNING

1993 ENGINE PERFORMANCE  
Vacuum Diagrams

Cabriolet, Corrado SLC, EuroVan,  
Fox, Golf, GTI, Jetta, Passat

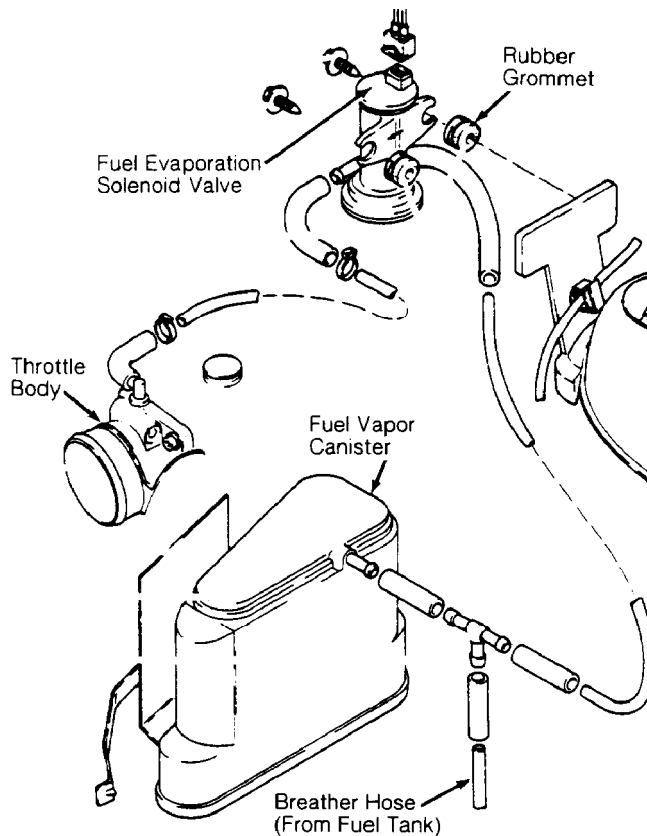
## INTRODUCTION

This article contains underhood views or schematics of vacuum hose routing. Use these vacuum diagrams during visual inspection. This will assist in identifying improperly routed vacuum hoses which cause driveability and/or computer-indicated malfunctions.

## CABRIOLET & FOX VACUUM DIAGRAMS

NOTE: Vacuum diagrams are not available for Cabriolet or Fox.

## EUROVAN VACUUM DIAGRAMS



93H81171

Fig. 1: Fuel Evaporation System Vacuum Diagram (EuroVan)  
Courtesy of Volkswagen United States, Inc.

# M - VACUUM DIAGRAMS

## Article Text (p. 2)

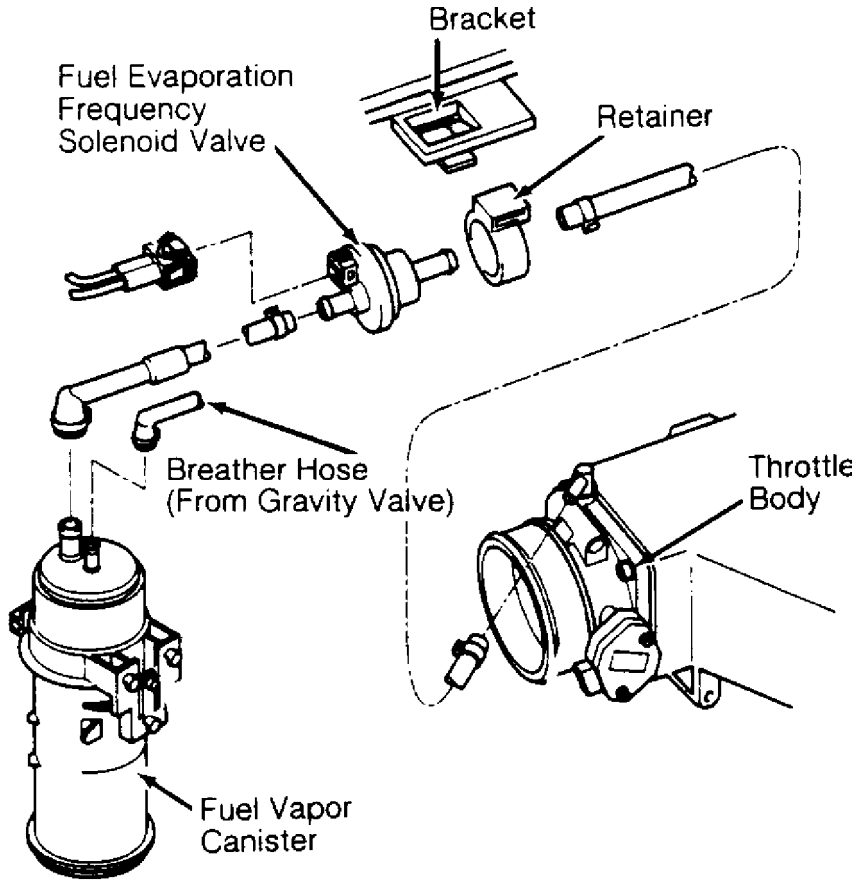
1993 Volkswagen EuroVan

For Volkswagen Technical Site

Copyright © 1998 Mitchell Repair Information Company, LLC

Saturday, March 18, 2000 10:34PM

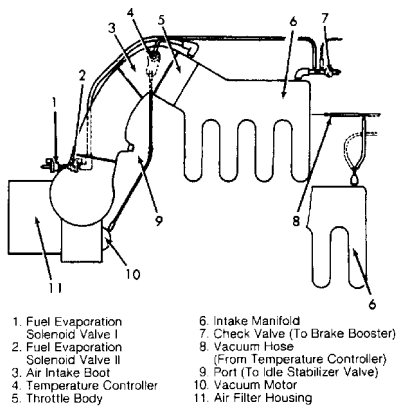
### GOLF, GTI & JETTA VACUUM DIAGRAMS



93I81172

Fig. 2: Fuel Evaporation System Vacuum Diagram (Golf, GTI & Jetta)  
Courtesy of Volkswagen United States, Inc.

### PASSAT GL VACUUM DIAGRAMS



93I81173

Fig. 3: Intake Air Preheating System Vacuum Diagram (Passat GL)  
Courtesy of Volkswagen United States, Inc.

# M - VACUUM DIAGRAMS

## Article Text (p. 3)

1993 Volkswagen EuroVan

For Volkswagen Technical Site

Copyright © 1998 Mitchell Repair Information Company, LLC

Saturday, March 18, 2000 10:34PM

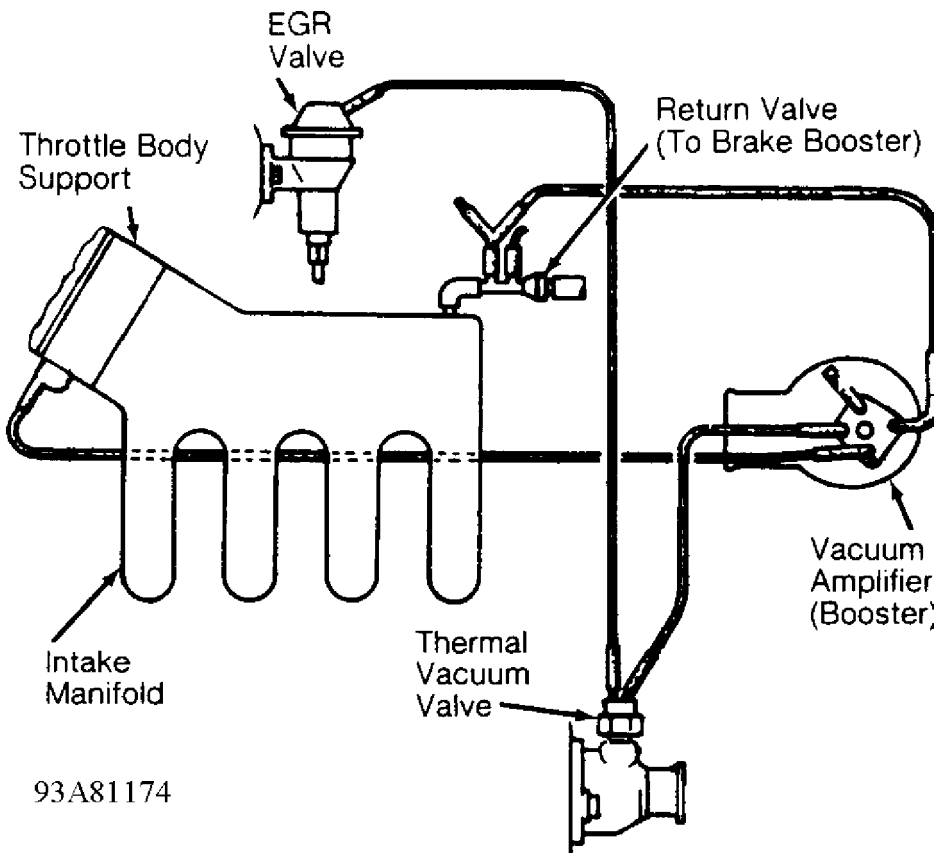


Fig. 4: Exhaust Recirculation System Vacuum Diagram (Passat GL)  
Courtesy of Volkswagen United States, Inc.

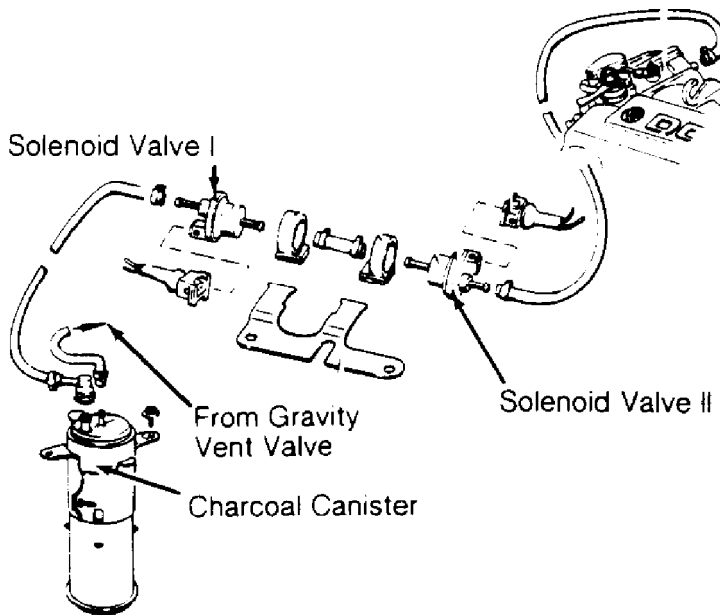


Fig. 5: Canister-To-Intake Manifold Vacuum Diagram (Passat GL)  
Courtesy of Volkswagen United States, Inc.

# M - VACUUM DIAGRAMS

## Article Text (p. 4)

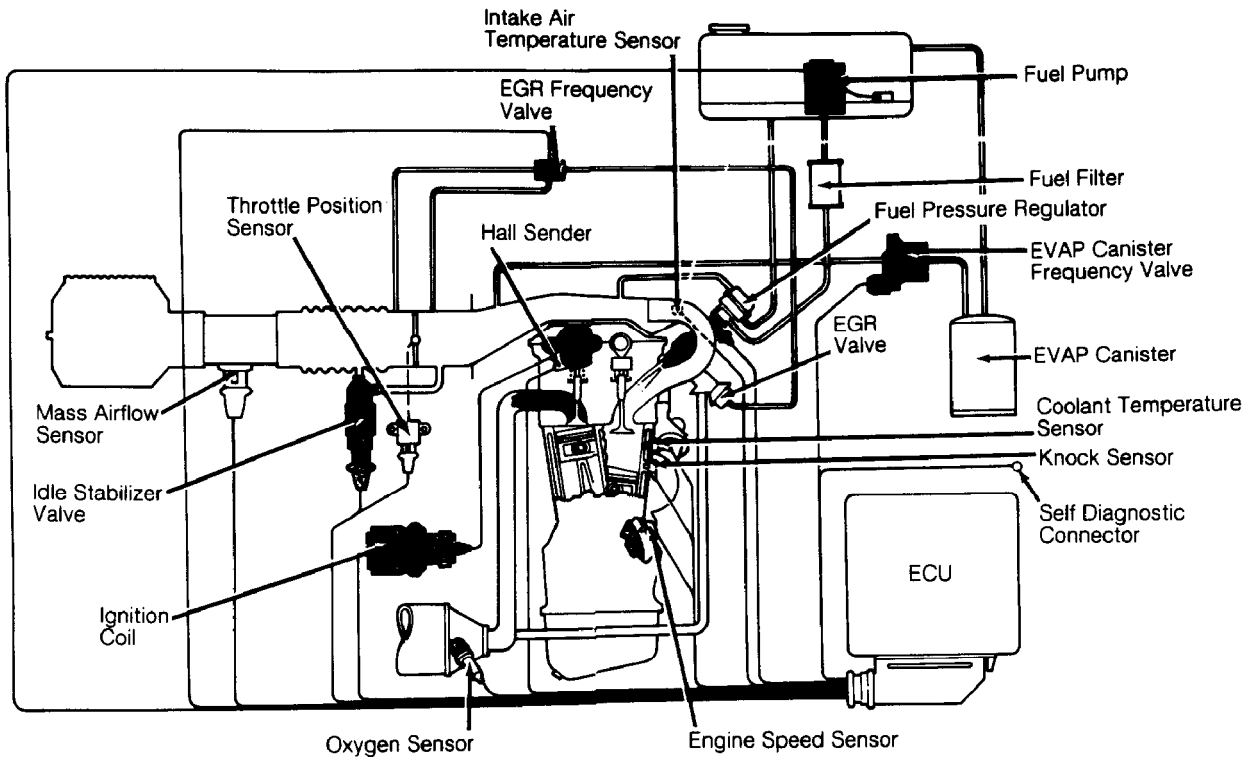
1993 Volkswagen EuroVan

For Volkswagen Technical Site

Copyright © 1998 Mitchell Repair Information Company, LLC

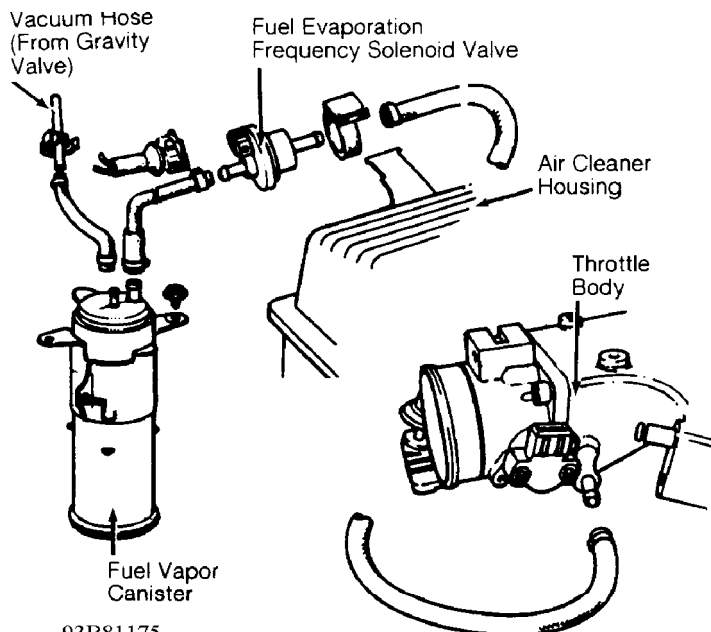
Saturday, March 18, 2000 10:34PM

### CORRADO SLC & PASSAT GLX VACUUM DIAGRAMS



92H26721

Fig. 6: Motronic System & Vacuum Diagram (Corrado SLC/Passat GLX)  
Courtesy of Volkswagen United States, Inc.



93B81175

Fig. 7: Fuel Evap. System Vacuum Diagram (Corrado SLC/Passat GLX)  
Courtesy of Volkswagen United States, Inc.

**M - VACUUM DIAGRAMS**

**Article Text (p. 5)**

1993 Volkswagen EuroVan

For Volkswagen Technical Site

Copyright © 1998 Mitchell Repair Information Company, LLC

Saturday, March 18, 2000 10:34PM

**END OF ARTICLE**