



Nutzfahrzeuge

Body assembly guidelines Volkswagen Nutzfahrzeuge

The Transporter T4

The following pages contain technical guidelines for custom body manufacturers/ coachwork specialists for construction and assembly of custom body-related parts and conversions.

The body assembly guidelines should be strictly adhered to if modifications are made with the intention of doing so.

Included in the Volkswagen body assembly guidelines are also the body dimension plans for our commercial vehicles Crafter, Transporter T4 and T5, Caddy and LT. These can be installed in 3 formats (TIF, DXF, IGES) for CAD programs and as PDF files.

Advice: If further technical queries about the series production vehicle arise over and beyond these guidelines, please contact your local conversion expert at your importer.

Volkswagen Nutzfahrzeuge
Brieffach 2965/5
Postfach 21 05 80
D - 30405 Hannover
Fax. +49 (0)511 / 7 98 - 85 00

Online contact: <http://www.vwn-aufbaurichtlinien.de/de/kontaktformular>

Note: Subject to errors and technical amendments. The electronic version of the body guidelines is the decisive source of up-to-date data on body guidelines

<http://www.vwn-aufbaurichtlinien.de>

Data status October 2009

6.1 Internal dimensions drawing / Construction dimensional drawing



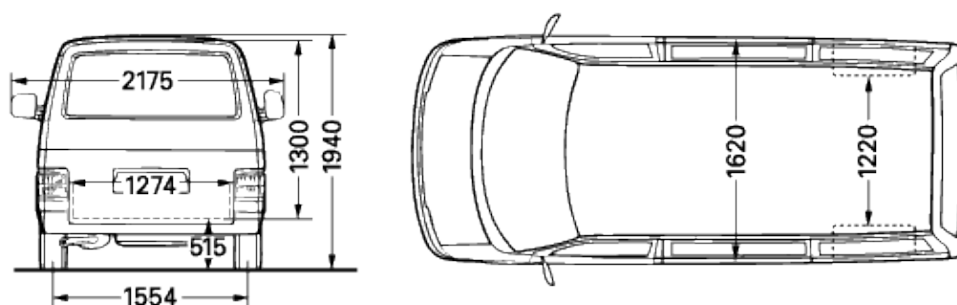
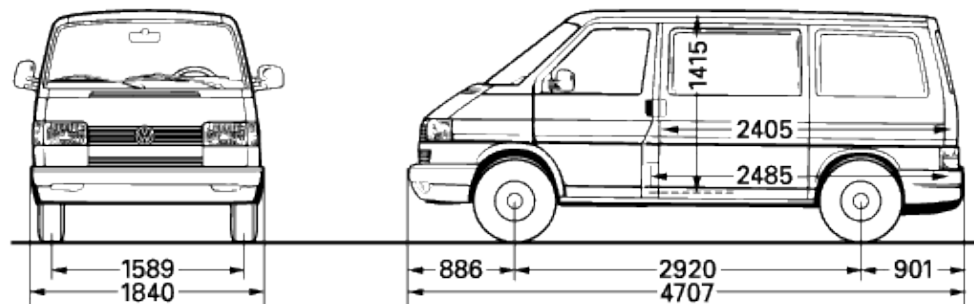
The individual dimensional drawings are in formats JPG, DXF, IGES and DWG. All files are packed in a zip archive. The files can be unpacked using Winzip (PC) or Ziplt (MAC).

Click on the link in question to save the selected file directly to your computer. You can then view and print out the dimension drawing using appropriate software (e.g. CAD system).

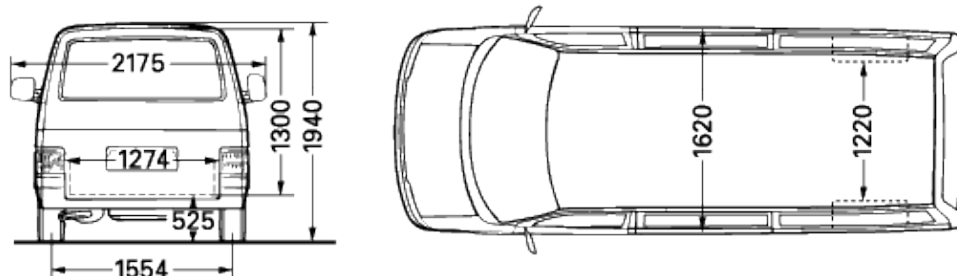
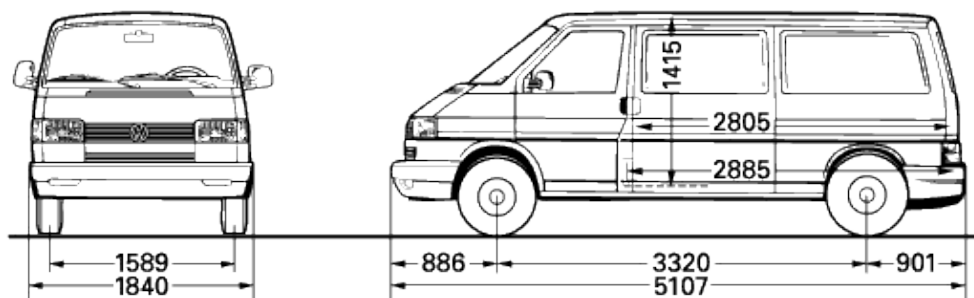
Designation	Internal dimensions drawing	Chassis with driver's cab Structural dimension drawing for special attachments	Chassis with driver's cab / double cab Structural dimension drawing for special attachments
Wheelbase	2.920 mm	2.920 mm	3.320 mm
JPG	Z.-Nr. V03 773 010 , 372 kB	Z.-Nr. 707 000 011 , 527 kB	Z.-Nr. 727 000 011 , 527 kB
DWG	Z.-Nr. V03 773 010 , 124 kB	Z.-Nr. 707 000 011 , 98 kB	Z.-Nr. 727 000 011 , 98 kB
DXF	Z.-Nr. V03 773 010 , 93 kB	Z.-Nr. 707 000 011 , 93 kB	Z.-Nr. 727 000 011 , 93 kB
IGES	Z.-Nr. V03 773 010 , 124 kB	Z.-Nr. 707 000 011 , 124 kB	Z.-Nr. 727 000 011 , 124 kB

Note: Subject to errors and technical amendments. The electronic version of the body guidelines is the decisive source of up-to-date data on body guidelines (online body guidelines). Data status August 2007

6.2 Vignettes



Box-type delivery van, short wheelbase (A1m)

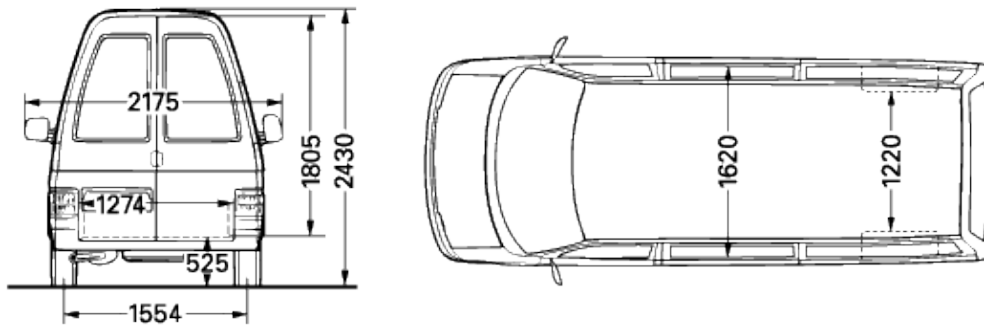
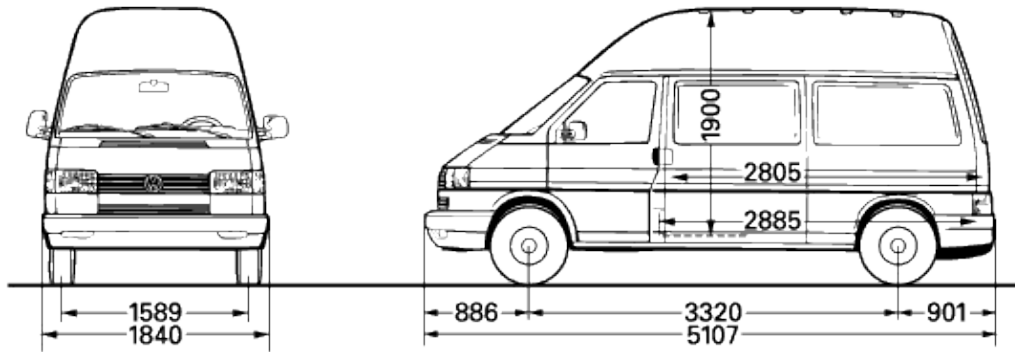


Box-type delivery van, long wheelbase (H1m)

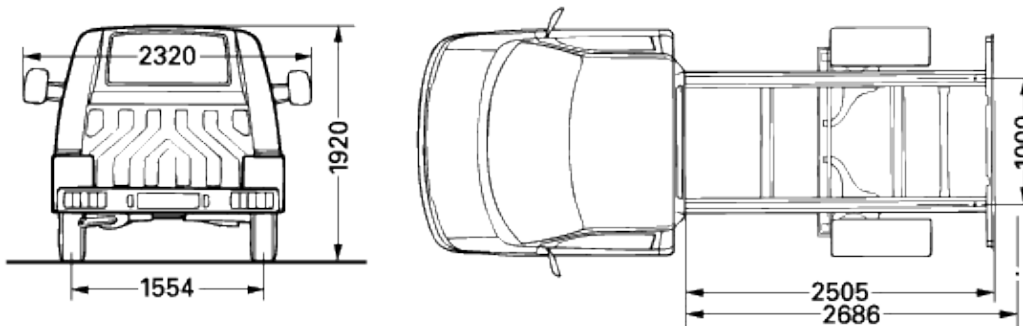
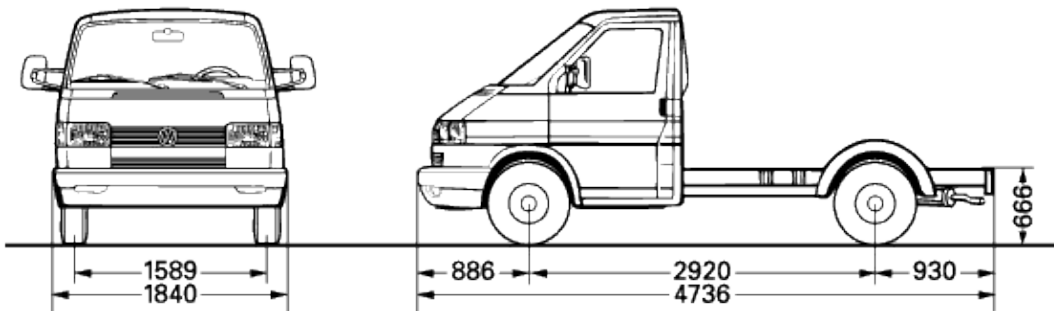
VW Nutzfahrzeuge Aufbauorientierungen



Nutzfahrzeuge



High-space box-type delivery van, long wheelbase (H1HDm)

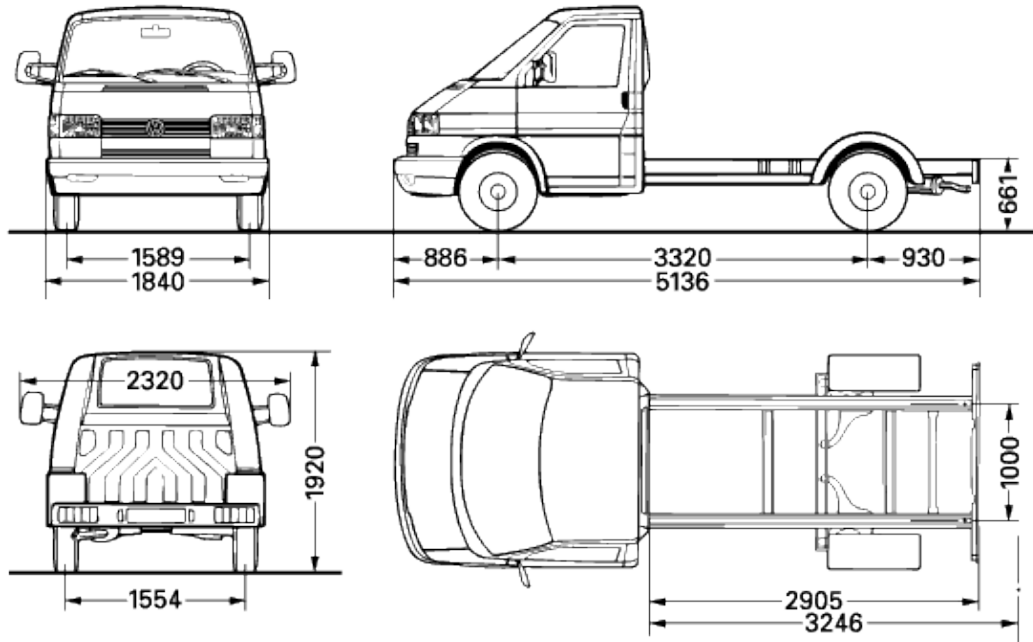


Chassis with driver's cab, short wheelbase (E1m)

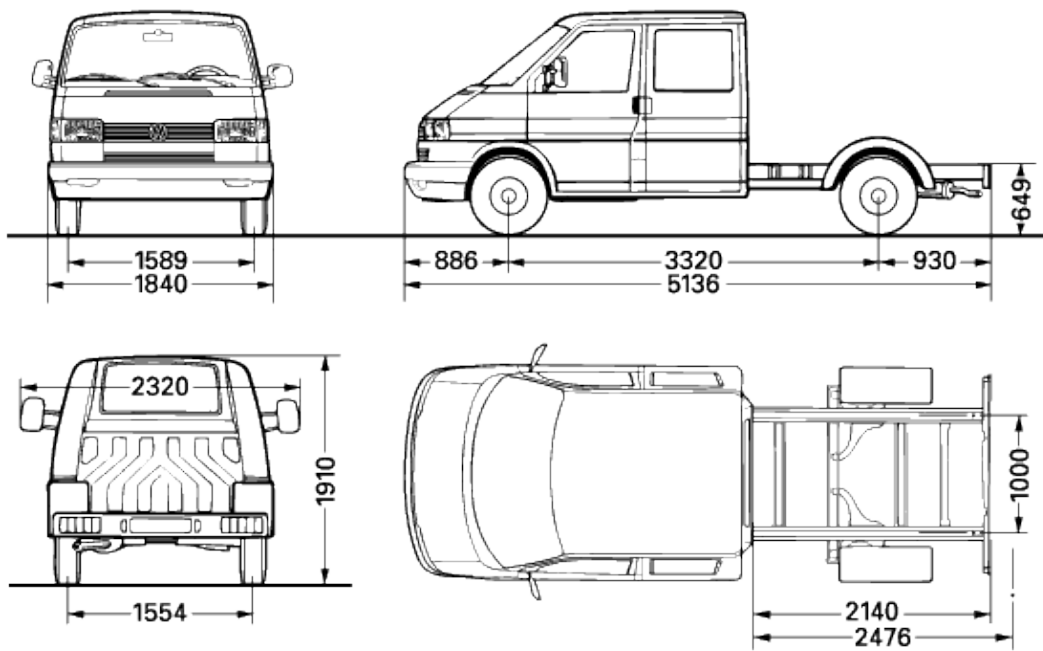
VW Nutzfahrzeuge Aufbau Richtlinien



Nutzfahrzeuge



Chassis with driver's cab, long wheelbase (L1m)



Chassis with double cab, long wheelbase (M1m)

Note: Subject to errors and technical amendments. The electronic version of the body guidelines is the decisive source of up-to-date data on body guidelines (online body guidelines). Data status: November 2007