

SCHEDULED SERVICES

Article Text

1993 Volkswagen EuroVan
For Volkswagen Technical Site
Copyright © 1998 Mitchell Repair Information Company, LLC
Saturday, March 18, 2000 10:35PM

ARTICLE BEGINNING

1993-95 MAINTENANCE
Volkswagen Maintenance & Service Intervals

Euro Van CL
GL
MV (Camper)

* PLEASE READ THIS FIRST *

NOTE: All SERVICE SCHEDULES are listed for normal service vehicles. If vehicle is operated under severe service conditions, see SEVERE SERVICE REQUIREMENTS (PERFORM W/SERVICE SCHEDULES) for items requiring additional maintenance.

NOTE: This article contains scheduled maintenance service information. Fluid types and capacities listed with each service in this article are only those necessary to perform that scheduled service. For specifications pertaining to fluid capacities for the entire vehicle, fuse and circuit breaker identification, wheel and tire size, battery type, warranty information, or model identification refer to the MAINTENANCE INFORMATION article in this section.

NOTE: All 1994 models are carryover 1993 models. The 1995 models have standard dual air bags and are 1995 models.

CAUTIONS & WARNINGS

SUPPLEMENTAL RESTRAINT SYSTEM (AIR BAG)

NOTE: See the AIR BAGS article in the ACCESSORIES/SAFETY EQUIPMENT Section.

Modifications or improper maintenance, including incorrect removal and installation of the Supplemental Restraint System (SRS), can adversely affect system performance. DO NOT cover, obstruct or change the steering wheel horn pad in any way, as such action could cause improper function of the system. Use only plain water when cleaning the horn pad. Solvents or cleaners could adversely affect the air bag cover and cause improper deployment of the system.

WARNING: To avoid injury from accidental air bag deployment, read and carefully follow all warnings and service precautions. See appropriate AIR BAGS article in ACCESSORIES/SAFETY EQUIPMENT.

CAUTION: Disconnect negative battery cable before servicing any air bag system, steering column or passenger side dash component. After any repair, turn ignition key to the ON

SCHEDULED SERVICES

Article Text (p. 2)

1993 Volkswagen EuroVan

For Volkswagen Technical Site

Copyright © 1998 Mitchell Repair Information Company, LLC

Saturday, March 18, 2000 10:35PM

position from passenger's side of vehicle in case of accidental air bag inflation

SUPPLEMENTAL RESTRAINT SYSTEM (SRS) AIR BAR WARNING

NOTE: For information on air bag DIAGNOSIS & TESTING or DISPOSAL PROCEDURES, see AIR BAGS article in the ACCESSORIES/SAFETY EQUIPMENT Section.

System circuit is grounded by 2 screws beneath the driver's seat. DO NOT use these screws to ground any other accessory. DO NOT ground any other components near this system.

AIR CONDITIONING SERVICING (1993 MODELS)

CAUTION: Avoid breathing R-134a refrigerant and PAG lubricant vapors, exposure may irritate eyes, nose and throat. To remove R-134a from system use R-134a recycling equipment that meets SAE J2210 specifications. If accidental system discharge occurs, ventilate work area before resuming service.

WARNING: R-134a service equipment or vehicle A/C systems SHOULD NOT be pressure tested or leak tested with compressed air. Some mixtures of air/R134a have shown to be combustible at elevated pressures. These mixtures are dangerous and may cause fire and/or explosions. See AIR CONDITIONING SERVICE article in GENERAL INFORMATION section.

ANTI-LOCK BRAKE SYSTEM

The anti-lock brake system contains electronic equipment that can be susceptible to interference caused by improperly installed or high output radio transmitting equipment. Since this interference could cause the possible loss of the anti-lock braking capability, such equipment should be installed by qualified professionals.

On models equipped with anti-lock brake systems, ALWAYS observe the following cautions:

- * DO NOT attempt to bleed hydraulic system without first referring to the appropriate ANTI-LOCK BRAKE SYSTEM article in the BRAKES Section.
- * DO NOT mix tire sizes. As long as tires remain close to the original diameter, increasing the width is acceptable. Rolling diameter must be identical for all 4 tires. Some manufacturers recommend tires of the same brand, style and type. Failure to follow this precaution may cause inaccurate wheel speed readings.
- * Use ONLY recommended brake fluids. DO NOT use silicone brake fluids in an ABS-equipped vehicle.

BATTERY WARNING

SCHEDULED SERVICES

Article Text (p. 3)

1993 Volkswagen EuroVan

For Volkswagen Technical Site

Copyright © 1998 Mitchell Repair Information Company, LLC

Saturday, March 18, 2000 10:35PM

WARNING: When battery is disconnected, vehicles equipped with computers may lose memory data. When battery power is restored, driveability problems may exist on some vehicles. These vehicles may require a relearn procedure. See **COMPUTER RELEARN PROCEDURES** article in **GENERAL INFORMATION** section.

REPLACING BLOWN FUSES

Before replacing a blown fuse, remove ignition key, turn off all lights and accessories to avoid damaging the electrical system. Be sure to use fuse with the correct indicated amperage rating. The use of an incorrect amperage rating fuse may result in a dangerous electrical system overload.

BRAKE PAD REPLACEMENT

WARNING: Use caution when checking and/or changing brake pads, some pads may contain asbestos which can irritate eyes and may cause other health hazards. A water based solution should be used to clean brake dust from wheel and brake components. **DO NOT** use compressed air to blow off brake dust.

BRAKE SYSTEM

CAUTION: Extreme brake pedal pressure is required if the engine is not running.

CAUTION: If brake warning light comes on while driving it indicates a low fluid level or failure in one of the braking circuits. If the brake pedal can be depressed further than normal it is an indication that one of the brake circuits is not functioning. Stop vehicle and check brake reservoir fluid level. If level is below MIN mark, **DO NOT** drive vehicle. Have it towed to a repair shop. If level is between the MIN and MAX marks, proceed cautiously to a repair shop.

BRAKE PAD WEAR INDICATOR

Indicator will cause a squealing or scraping noise, warning that brake pads need replacement.

CATALYTIC CONVERTER

Continued operation of vehicle with a severe malfunction could cause converter to overheat, resulting in possible damage to converter and vehicle.

Any modification to the exhaust system on turbo models, which reduces exhaust backpressure, will lead to lean fuel mixtures and excessive spark advance. This could cause serious engine damage.

SCHEDULED SERVICES

Article Text (p. 4)

1993 Volkswagen EuroVan
For Volkswagen Technical Site
Copyright © 1998 Mitchell Repair Information Company, LLC
Saturday, March 18, 2000 10:35PM

COOLANT (PROPYLENE-GLYCOL FORMULATIONS)

To avoid possible damage to vehicle use only ethylene-glycol based coolants with a mixture ratio from 44-68% anti-freeze. DO NOT use 100% anti-freeze as it will cause the formation of cooling system deposits. This results in coolant temperatures of over 300°F (149°C) which can melt plastics. 100% anti-freeze has a freeze point of only -8°F (-22°C).

CAUTION: Propylene-Glycol Mixtures has a smaller temperature range than Ethylene-Glycol. The temperature range (freeze-boil) of a 50/50 Anti-Freeze/Water Mix is as follows:

Propylene-Glycol	-26°F (-32°C)	-	257°F (125°C)
Ethylene-Glycol	-35°F (-37°C)	-	263°F (128°C)

CAUTION: Propylene-Glycol/Ethylene-Glycol Mixtures can cause the destabilization of various corrosion inhibitors. Also Propylene-Glycol/Ethylene-Glycol has a different specific gravity than Ethylene-Glycol coolant, which will result in inaccurate freeze point calculations.

DIESEL FUEL ANTI-FUNGAL ADDITIVES

CAUTION: If fuel contamination due to fungi or other microorganisms is suspected a fuel additive with a biocide may be used. Follow the manufacturers dosage as recommended on product label. Use biocides ONLY when necessary, excessive use can may cause other fuel system problems.

DIESEL FUEL CONTAMINATION

WARNING: Diesel fuel system may be contaminated with fungi or other microorganisms. Keep contaminated fuel away from open skin cuts or sores to prevent skin irritation or infection.

DIESEL FUEL REQUIREMENTS

CAUTION: All diesel engines are to use Diesel Fuel #2 when the outside temperature is above 20°F (-7°C). In temperatures that are below 20°F (-7°C) use Diesel Fuel #1, this will reduce the chance of the fuel thickening and forming wax.

Note: A Diesel Fuel #1 & #2 combination (Blended Fuel) may be used, and is recommended for mild winter driving.

STARTING FLUID USE (DIESEL)

WARNING: DO NOT USE starting fluids (ether) or flammable liquids to aid the starting of a Diesel engine. NEVER pour diesel fuel, flammable liquids or starting fluids into the air cleaner canister, air intake or turbocharger housing in an attempt to start the vehicle. A flash fire may result causing

SCHEDULED SERVICES

Article Text (p. 5)

1993 Volkswagen EuroVan

For Volkswagen Technical Site

Copyright © 1998 Mitchell Repair Information Company, LLC

Saturday, March 18, 2000 10:35PM

personal injury.

ELECTRICAL SHOCK

WARNING: Contact with live components of ignition system while engine is running could lead to a fatal electric shock.

ELECTROSTATIC DISCHARGE SENSITIVE (ESD) PARTS

WARNING: Many solid state electrical components can be damaged by static electricity (ESD). Some will display a warning label, but many will not. Discharge personal static electricity by touching a metal ground point on the vehicle prior to servicing any ESD sensitive component.

ENGINE OIL

CAUTION: Never use non-detergent or straight mineral oil.

FUEL SYSTEM SERVICE

WARNING: Relieve fuel system pressure prior to servicing any fuel system component (fuel injection models).

HALOGEN BULBS

Halogen bulbs contain pressurized gas which may explode if overheated. DO NOT touch glass portion of bulb with bare hands. Eye protection should be worn when handling or working around halogen bulbs.

RADIATOR CAP

CAUTION: Always disconnect the fan motor when working near the radiator fan. The fan is temperature controlled and could start at any time even when the ignition key is in the OFF position. DO NOT loosen or remove radiator cap when cooling system is hot.

RADIATOR FAN

WARNING: Keep hands away from radiator fan. Fan is controlled by a thermostatic switch which may come on or run for up to 15 minutes even after engine is turned off.

CAMSHAFT TIMING BELT REPLACEMENT INFORMATION

CAUTION: Failure to replace a faulty camshaft timing belt may result in serious engine damage.

The condition of camshaft drive belts should always be checked on vehicles which have more than 50,000 miles. Although some

SCHEDULED SERVICES

Article Text (p. 6)

1993 Volkswagen EuroVan

For Volkswagen Technical Site

Copyright © 1998 Mitchell Repair Information Company, LLC

Saturday, March 18, 2000 10:35PM

manufacturers do not recommend belt replacement at a specified mileage, others require it at 60,000-100,000 miles. A camshaft drive belt failure may cause extensive damage to internal engine components on most engines, although some designs do not allow piston-to-valve contact. These designs are often called "Free Wheeling".

Many manufacturers changed their maintenance and warranty schedules in the mid-1980's to reflect timing belt inspection and/or replacement at 50,000-60,000 miles. Most service interval schedules in this manual reflect these changes.

Belts or components should be inspected and replaced if any of the following conditions exist:

- * Cracks Or Tears In Belt Surface
- * Missing, Damaged, Cracked Or Rounded Teeth
- * Oil Contamination
- * Damaged Or Faulty Tensioners
- * Incorrect Tension Adjustment

Replace timing belt every 36,000 miles or 36 months.

SERVICE POINT LOCATIONS

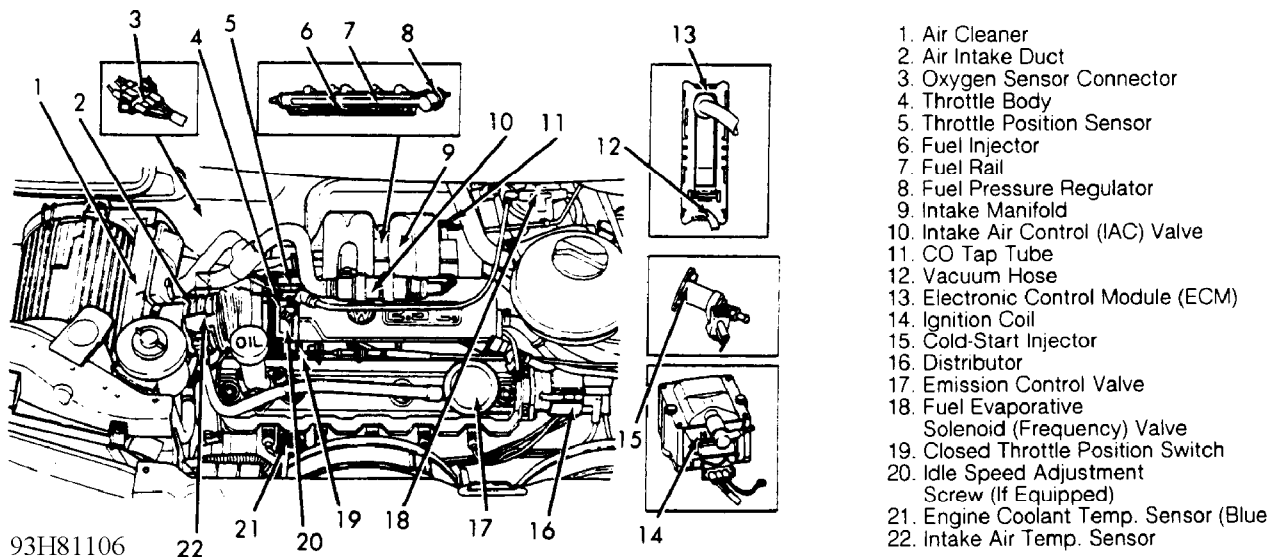


Fig. 1: Service Point Locations (2.5L Gasoline)
Courtesy of Volkswagen United States, Inc.

ADDITIONAL SERVICE INFORMATION

SCHEDULED SERVICES

Article Text (p. 7)

1993 Volkswagen EuroVan

For Volkswagen Technical Site

Copyright © 1998 Mitchell Repair Information Company, LLC

Saturday, March 18, 2000 10:35PM

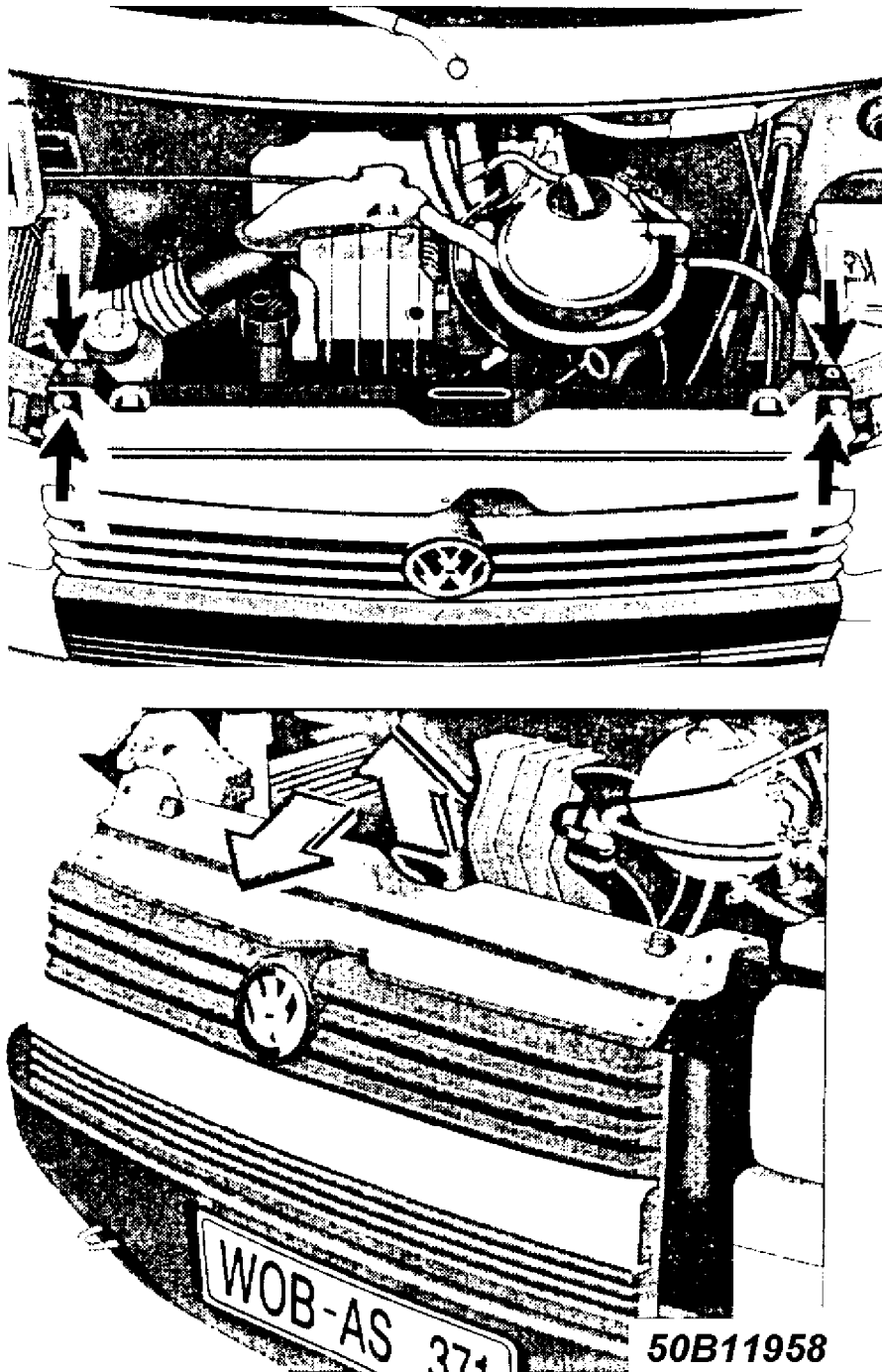


Fig. 2: Tilting Radiator for Service
Courtesy of Volkswagen United States, Inc.

- 1) With gear selector in Park, depress brake pedal.
- 2) Move gear selector to desired position.
- 3) If gear selector DOES NOT MOVE, check fuse #12.
- 4) TO MANUALLY RELEASE gear selector, push finger between brushes at base of shifter and push catch to the left. (See Fig. 2).
- 5) Select a gear.

SCHEDULED SERVICES

Article Text (p. 8)

1993 Volkswagen EuroVan

For Volkswagen Technical Site

Copyright © 1998 Mitchell Repair Information Company, LLC

Saturday, March 18, 2000 10:35PM

NOTE: It may not be possible to move the radiator on some 1995 models (models with one piece lower grille sections).

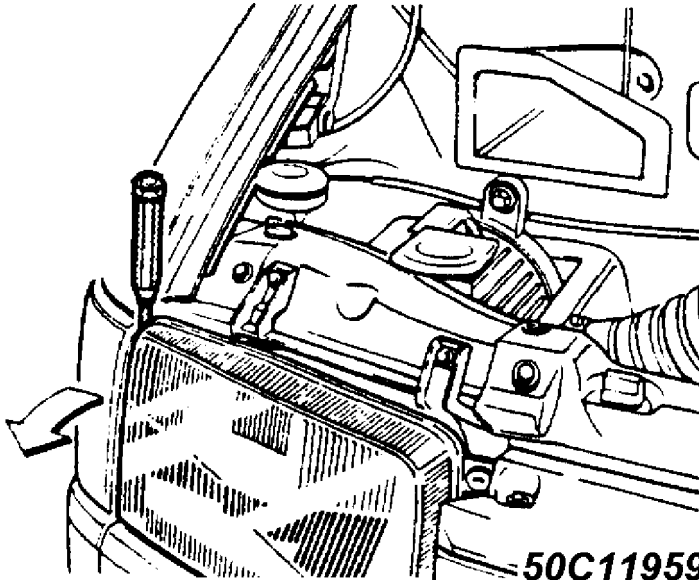
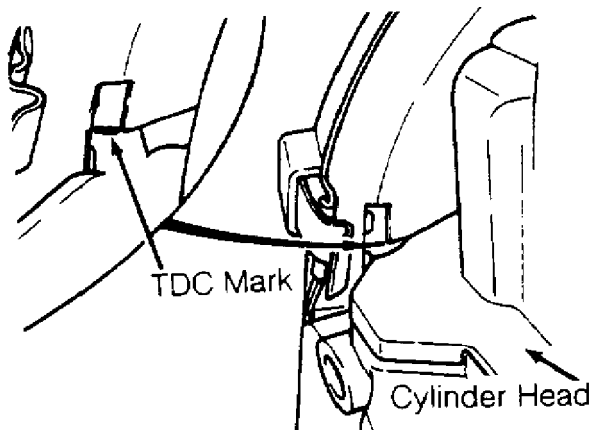


Fig. 3: Replacing Turn Signal Lamps (Typical)
Courtesy of Volkswagen United States, Inc.

ALIGNING CAMSHAFT TIMING MARKS



93G83010

Fig. 4: Aligning Camshaft & Crankshaft Timing Marks
Courtesy of Volkswagen United States, Inc.

NOTE: For more information regarding camshaft timing belt service refer to the 2.5L 5-CYL article in the ENGINE MECHANICAL section.

BODY SERVICE POINTS

PASSENGER COMPARTMENT FILTER REPLACEMENT

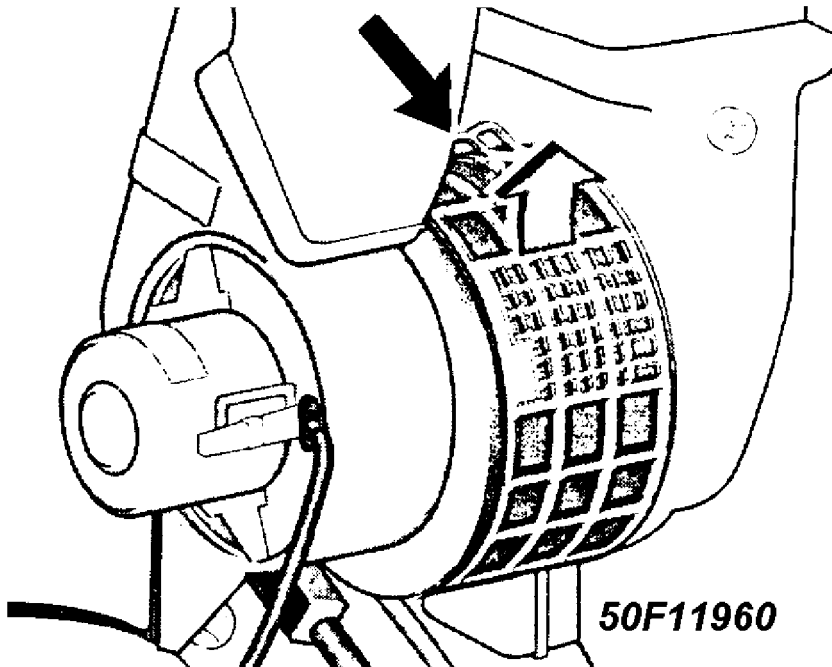
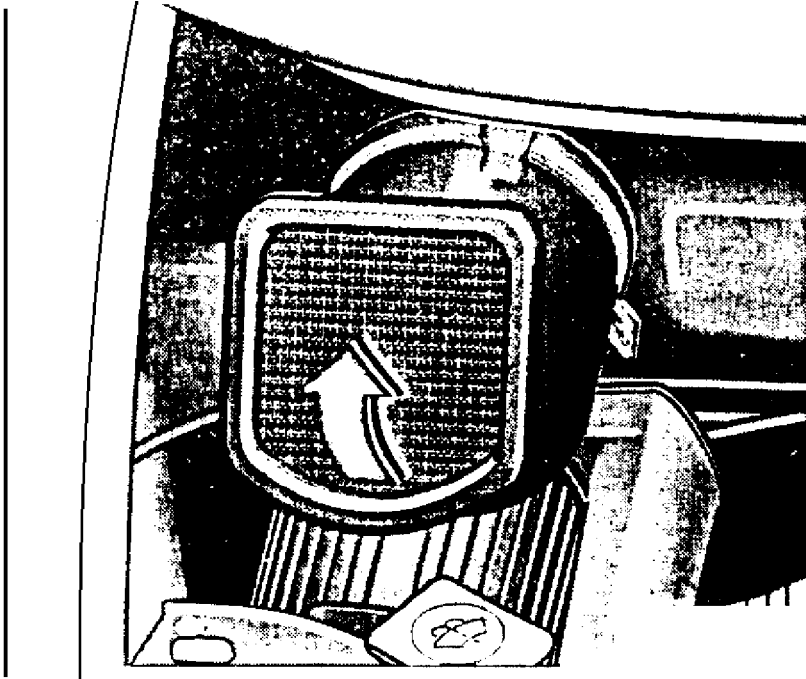


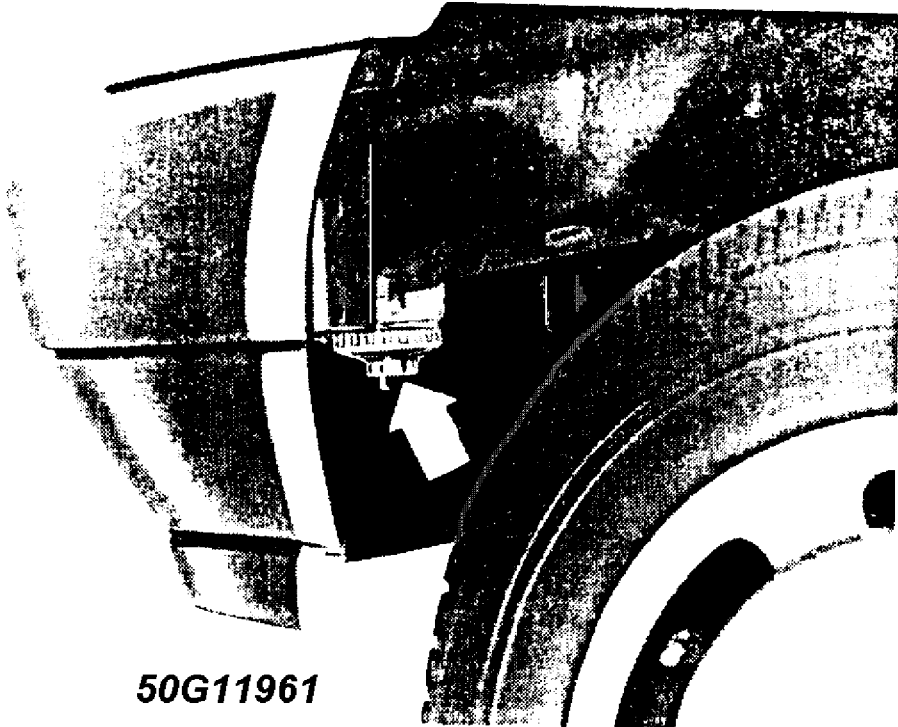
Fig. 5: Passenger Compartment Filter Location
Courtesy of Volkswagen United States, Inc.

DIESEL FUEL FILTER MAINTENANCE

SCHEDULED SERVICES

Article Text (p. 10)

1993 Volkswagen EuroVan
For Volkswagen Technical Site
Copyright © 1998 Mitchell Repair Information Company, LLC
Saturday, March 18, 2000 10:35PM



50G11961

Fig. 6: Fuel Filter Location
Courtesy of Volkswagen United States, Inc.

SEVERE & NORMAL SERVICE DEFINITIONS

NOTE: Use the Severe Service schedule if the vehicle to be serviced is operated under ANY (one or more) of these conditions:

Service is recommended at mileage intervals based on vehicle operation. Service schedules are based on the following primary operating conditions:

Normal Service

- * Driven More Than 10 Miles Daily
- * No Operating Conditions From Severe Service Schedule

Severe Service (Unique Driving Conditions)

- * Short Trips (10 Miles) In Freezing Temperatures
- * Towing or Heavily Loaded
- * Severe Dust Conditions
- * Hot Weather, Stop-and-Go Driving
- * Extensive Idling Conditions (Taxi or Delivery)

SEVERE SERVICE REQUIREMENTS (PERFORM W/SERVICE SCHEDULES)

NOTE: The following services are to be performed on vehicles subjected to severe service. See SEVERE & NORMAL SERVICE

SCHEDULED SERVICES

Article Text (p. 11)

1993 Volkswagen EuroVan

For Volkswagen Technical Site

Copyright © 1998 Mitchell Repair Information Company, LLC

Saturday, March 18, 2000 10:35PM

DEFINITIONS. This service is to be performed in addition to the normal services listed in the NORMAL MAINTENANCE SERVICE SCHEDULES.

SEVERE SERVICE CONDITIONS/ACTIONS TABLE

Condition	Action	Item	Perform Every (1)
Short Trips (10 Miles) In Freezing Temperatures	Replace	Engine Oil & Filter	3,750 Miles or 3 Months
	Replace	A/T Fluid	30,000 Miles
	Service	A/T: Clean Pan & Strainer	30,000 Miles
Towing Or Heavily Loaded	Replace	Engine Oil & Filter	3,750 Miles or 3 Months
	Replace	A/T Fluid	30,000 Miles
	Service	A/T: Clean Pan & Strainer	30,000 Miles
Severe Dust Conditions	Replace	Engine Oil & Filter	3,750 Miles or 3 Months
	Replace	A/T Fluid	30,000 Miles
	Service	A/T: Clean Pan & Strainer	30,000 Miles
Hot Weather, Stop-And-Go Driving	Replace	Engine Oil & Filter	3,750 Miles or 3 Months
	Replace	A/T Fluid	30,000 Miles
	Service	A/T: Clean Pan & Strainer	30,000 Miles
Extensive Idling Conditions (Taxi or Delivery)	Replace	Engine Oil & Filter	3,750 Miles or 3 Months
	Replace	A/T Fluid	30,000 Miles
	Service	A/T: Clean Pan & Strainer	30,000 Miles

SCHEDULED SERVICES

Article Text (p. 12)

1993 Volkswagen EuroVan

For Volkswagen Technical Site

Copyright © 1998 Mitchell Repair Information Company, LLC

Saturday, March 18, 2000 10:35PM

~~~~~  
3 (1) - Perform these services at the mileage or number of months 3  
3 (since the last time), whichever comes first. 3  
~~~~~

NORMAL MAINTENANCE SERVICE SCHEDULES

CAUTION: The following service schedules refer to vehicles driven under normal operating conditions. For vehicles driven under severe conditions, additional services may be necessary. See SEVERE SERVICE REQUIREMENTS (PERFORM W/SERVICE SCHEDULES) above in this article for additional service requirements.

7,500 MILE (12,000 KM) SERVICE

7,500 MILE (12,000 KM) SERVICE
~~~~~  
3 Service Or Inspect 3  
~~~~~  
3 3 Check Fluid Levels 3
~~~~~  
3 3 Inspect Coolant Hoses and Clamps 3  
~~~~~  
3 3 Inspect Brake System 3
~~~~~  
3 3 Inspect Exhaust System 3  
~~~~~  
3 3 Inspect C/V Joint boots 3
~~~~~  
3 3 Inspect Steering Linkage/Front Suspension 3  
~~~~~  
3 3 Lubricate Chassis 3
~~~~~  
3 Replace 3  
~~~~~  
3 3 Engine Oil 3
~~~~~  
3 3 Oil Filter 3  
~~~~~  
3 Lubrication Specifications 3
~~~~~  
3 Application Specification 3  
3  
3 Engine Oil 3  
3 Ambient Temperatures 3  
3 Greater Than 140 F (-10C) ... SAE 20W-40 Or 20W-50 API SG/CD 3  
3 140-500F (-100 To +100C) ..... SAE 10W-30 Or 10W-40 API SG/CD 3  
3 Less Than 500F (100C) ..... SAE 5W-30 Or 5W-40 API SG/CD 3  
~~~~~  
3 Fluid Capacities 3
~~~~~



# SCHEDULED SERVICES

## Article Text (p. 14)

1993 Volkswagen EuroVan

For Volkswagen Technical Site

Copyright © 1998 Mitchell Repair Information Company, LLC

Saturday, March 18, 2000 10:35PM

|                                                                                                                  |   |                                                        |                                  |
|------------------------------------------------------------------------------------------------------------------|---|--------------------------------------------------------|----------------------------------|
| 3                                                                                                                | 3 | Inspect Condition of Wiper Blades                      | 3                                |
| AAAAAAAAAAAAAAAAAAAAAAAAAAAAAAAAAAAAAAAAAAAAAAAAAAAAAAAAAAAAAAAAAAAAAAAAAAAAAAAAAAAAAAAAAAAAAAAAAAAAAAAAAAAAAAAA |   |                                                        |                                  |
| 3                                                                                                                | 3 | Check Headlight Alignment                              | 3                                |
| AAAAAAAAAAAAAAAAAAAAAAAAAAAAAAAAAAAAAAAAAAAAAAAAAAAAAAAAAAAAAAAAAAAAAAAAAAAAAAAAAAAAAAAAAAAAAAAAAAAAAAAAAAAAAAAA |   |                                                        |                                  |
| 3                                                                                                                | 3 | Lubricate Weatherstripping with Silicone               | 3                                |
| AAAAAAAAAAAAAAAAAAAAAAAAAAAAAAAAAAAAAAAAAAAAAAAAAAAAAAAAAAAAAAAAAAAAAAAAAAAAAAAAAAAAAAAAAAAAAAAAAAAAAAAAAAAAAAAA |   |                                                        |                                  |
| 3                                                                                                                | 3 | Door/Hood/Trunk Stops, Hinges & Locks                  | 3                                |
| AAAAAAAAAAAAAAAAAAAAAAAAAAAAAAAAAAAAAAAAAAAAAAAAAAAAAAAAAAAAAAAAAAAAAAAAAAAAAAAAAAAAAAAAAAAAAAAAAAAAAAAAAAAAAAAA |   |                                                        |                                  |
| 3                                                                                                                | 3 | Check Body Drain Holes                                 | 3                                |
| AAAAAAAAAAAAAAAAAAAAAAAAAAAAAAAAAAAAAAAAAAAAAAAAAAAAAAAAAAAAAAAAAAAAAAAAAAAAAAAAAAAAAAAAAAAAAAAAAAAAAAAAAAAAAAAA |   |                                                        |                                  |
| 3                                                                                                                | 3 | Check Seat Belt Webbing and Release Mechanisms         | 3                                |
| AAAAAAAAAAAAAAAAAAAAAAAAAAAAAAAAAAAAAAAAAAAAAAAAAAAAAAAAAAAAAAAAAAAAAAAAAAAAAAAAAAAAAAAAAAAAAAAAAAAAAAAAAAAAAAAA |   |                                                        |                                  |
| 3                                                                                                                | 3 | Windshield Washer System                               | 3                                |
| AAAAAAAAAAAAAAAAAAAAAAAAAAAAAAAAAAAAAAAAAAAAAAAAAAAAAAAAAAAAAAAAAAAAAAAAAAAAAAAAAAAAAAAAAAAAAAAAAAAAAAAAAAAAAAAA |   |                                                        |                                  |
| 3                                                                                                                | 3 | Parking Brake Adjustment                               | 3                                |
| AAAAAAAAAAAAAAAAAAAAAAAAAAAAAAAAAAAAAAAAAAAAAAAAAAAAAAAAAAAAAAAAAAAAAAAAAAAAAAAAAAAAAAAAAAAAAAAAAAAAAAAAAAAAAAAA |   |                                                        |                                  |
| 3                                                                                                                | 3 | Clutch Adjustment                                      | 3                                |
| AAAAAAAAAAAAAAAAAAAAAAAAAAAAAAAAAAAAAAAAAAAAAAAAAAAAAAAAAAAAAAAAAAAAAAAAAAAAAAAAAAAAAAAAAAAAAAAAAAAAAAAAAAAAAAAA |   |                                                        |                                  |
| 3                                                                                                                | 3 | Clutch Hydraulic System                                | 3                                |
| AAAAAAAAAAAAAAAAAAAAAAAAAAAAAAAAAAAAAAAAAAAAAAAAAAAAAAAAAAAAAAAAAAAAAAAAAAAAAAAAAAAAAAAAAAAAAAAAAAAAAAAAAAAAAAAA |   |                                                        |                                  |
| 3                                                                                                                | 3 | Suspension & Wheel Bearings                            | 3                                |
| AAAAAAAAAAAAAAAAAAAAAAAAAAAAAAAAAAAAAAAAAAAAAAAAAAAAAAAAAAAAAAAAAAAAAAAAAAAAAAAAAAAAAAAAAAAAAAAAAAAAAAAAAAAAAAAA |   |                                                        |                                  |
| 3                                                                                                                | 3 | Check Shift Interlock Operation                        | 3                                |
| AAAAAAAAAAAAAAAAAAAAAAAAAAAAAAAAAAAAAAAAAAAAAAAAAAAAAAAAAAAAAAAAAAAAAAAAAAAAAAAAAAAAAAAAAAAAAAAAAAAAAAAAAAAAAAAA |   |                                                        |                                  |
| 3                                                                                                                | 3 | Inspect Steering Linkage/Front Suspension              | 3                                |
| AAAAAAAAAAAAAAAAAAAAAAAAAAAAAAAAAAAAAAAAAAAAAAAAAAAAAAAAAAAAAAAAAAAAAAAAAAAAAAAAAAAAAAAAAAAAAAAAAAAAAAAAAAAAAAAA |   |                                                        |                                  |
| 3                                                                                                                | 3 | Lubricate Chassis                                      | 3                                |
| AAAAAAAAAAAAAAAAAAAAAAAAAAAAAAAAAAAAAAAAAAAAAAAAAAAAAAAAAAAAAAAAAAAAAAAAAAAAAAAAAAAAAAAAAAAAAAAAAAAAAAAAAAAAAAAA |   |                                                        |                                  |
| 3                                                                                                                | 3 | Inspect Brake Pads, Rotors and Calipers                | 3                                |
| AAAAAAAAAAAAAAAAAAAAAAAAAAAAAAAAAAAAAAAAAAAAAAAAAAAAAAAAAAAAAAAAAAAAAAAAAAAAAAAAAAAAAAAAAAAAAAAAAAAAAAAAAAAAAAAA |   |                                                        |                                  |
| 3                                                                                                                | 3 | Inspect Brake System Hoses & Lines                     | 3                                |
| AAAAAAAAAAAAAAAAAAAAAAAAAAAAAAAAAAAAAAAAAAAAAAAAAAAAAAAAAAAAAAAAAAAAAAAAAAAAAAAAAAAAAAAAAAAAAAAAAAAAAAAAAAAAAAAA |   |                                                        |                                  |
| 3                                                                                                                | 3 | Inspect Shocks/Struts for Leakage                      | 3                                |
| AAAAAAAAAAAAAAAAAAAAAAAAAAAAAAAAAAAAAAAAAAAAAAAAAAAAAAAAAAAAAAAAAAAAAAAAAAAAAAAAAAAAAAAAAAAAAAAAAAAAAAAAAAAAAAAA |   |                                                        |                                  |
| 3                                                                                                                | 3 | Inspect Tire Wear and Condition                        | 3                                |
| AAAAAAAAAAAAAAAAAAAAAAAAAAAAAAAAAAAAAAAAAAAAAAAAAAAAAAAAAAAAAAAAAAAAAAAAAAAAAAAAAAAAAAAAAAAAAAAAAAAAAAAAAAAAAAAA |   |                                                        |                                  |
| 3                                                                                                                | 3 | Rotate Tires and Adjust Air Pressure (Including Spare) | 3                                |
| AAAAAAAAAAAAAAAAAAAAAAAAAAAAAAAAAAAAAAAAAAAAAAAAAAAAAAAAAAAAAAAAAAAAAAAAAAAAAAAAAAAAAAAAAAAAAAAAAAAAAAAAAAAAAAAA |   |                                                        |                                  |
| 3                                                                                                                |   | Replace                                                | 3                                |
| AAAAAAAAAAAAAAAAAAAAAAAAAAAAAAAAAAAAAAAAAAAAAAAAAAAAAAAAAAAAAAAAAAAAAAAAAAAAAAAAAAAAAAAAAAAAAAAAAAAAAAAAAAAAAAAA |   |                                                        |                                  |
| 3                                                                                                                | 3 | Engine Oil                                             | 3                                |
| AAAAAAAAAAAAAAAAAAAAAAAAAAAAAAAAAAAAAAAAAAAAAAAAAAAAAAAAAAAAAAAAAAAAAAAAAAAAAAAAAAAAAAAAAAAAAAAAAAAAAAAAAAAAAAAA |   |                                                        |                                  |
| 3                                                                                                                | 3 | Oil Filter                                             | 3                                |
| AAAAAAAAAAAAAAAAAAAAAAAAAAAAAAAAAAAAAAAAAAAAAAAAAAAAAAAAAAAAAAAAAAAAAAAAAAAAAAAAAAAAAAAAAAAAAAAAAAAAAAAAAAAAAAAA |   |                                                        |                                  |
| 3                                                                                                                | 3 | Drain, Refill and Bleed Brake System Fluid             | 3                                |
| AAAAAAAAAAAAAAAAAAAAAAAAAAAAAAAAAAAAAAAAAAAAAAAAAAAAAAAAAAAAAAAAAAAAAAAAAAAAAAAAAAAAAAAAAAAAAAAAAAAAAAAAAAAAAAAA |   |                                                        |                                  |
| 3                                                                                                                |   | Lubrication Specifications                             | 3                                |
| AAAAAAAAAAAAAAAAAAAAAAAAAAAAAAAAAAAAAAAAAAAAAAAAAAAAAAAAAAAAAAAAAAAAAAAAAAAAAAAAAAAAAAAAAAAAAAAAAAAAAAAAAAAAAAAA |   |                                                        |                                  |
| 3                                                                                                                |   | Application                                            | Specification 3                  |
| 3                                                                                                                |   |                                                        | 3                                |
| 3                                                                                                                |   | Automatic Transaxle .....                              | Dexron-II E ATF 3                |
| 3                                                                                                                |   | Brake Fluid .....                                      | SAE J1703 Or DOT 4 Brake Fluid 3 |







**SCHEDULED SERVICES**

**Article Text (p. 17)**

1993 Volkswagen EuroVan

For Volkswagen Technical Site

Copyright © 1998 Mitchell Repair Information Company, LLC

Saturday, March 18, 2000 10:35PM

**30,000 MILE (48,000 KM) SERVICE**

30,000 MILE (48,000 KM) SERVICE

- ③ Service Or Inspect ③
- ③ Verify Last Major Service Was Performed ③
- ③ Diagnostic System Read Out ③
- ③ Check Fluid Levels ③
- ③ Check Cooling System Hoses and Clamps ③
- ③ Check Coolant Strength ③
- ③ Inspect For Fluid Leaks ③
- ③ Inspect/Adjust Accessory Drive Belts (Replace if Required) ③
- ③ A/C Cooling & Heating System ③
- ③ Crankcase Ventilation System ③
- ③ Intake Air System ③
- ③ Throttle Linkage ③
- ③ Inspect Brake System ③
- ③ Check Exhaust System & Heat Shielding ③
- ③ Clean Battery and Battery Terminals ③
- ③ Inspect Fuel/Tank/Cap/Lines ③
- ③ Check Operation of Horn, Wipers/Washers & All Exterior Lights ③
- ③ Inspect Condition of Wiper Blades ③
- ③ Check Headlight Alignment ③
- ③ Lubricate Weatherstripping with Silicone ③
- ③ Door/Hood/Trunk Stops, Hinges & Locks ③
- ③ Check Body Drain Holes ③
- ③ Check Seat Belt Webbing and Release Mechanisms ③
- ③ Windshield Washer System ③

**SCHEDULED SERVICES**

**Article Text (p. 18)**

1993 Volkswagen EuroVan

For Volkswagen Technical Site

Copyright © 1998 Mitchell Repair Information Company, LLC

Saturday, March 18, 2000 10:35PM

```

3 3 Parking Brake Adjustment 3
AAAAAAAAAAAAAAAAAAAAAAAAAAAAAAAAAAAAAAAAAAAAAAAAAAAAAAAAAAAAAAAAAAAAAAAAAAAAAAAAA
3 3 Clutch Adjustment 3
AAAAAAAAAAAAAAAAAAAAAAAAAAAAAAAAAAAAAAAAAAAAAAAAAAAAAAAAAAAAAAAAAAAAAAAAAAAAAAAAA
3 3 Clutch Hydraulic System 3
AAAAAAAAAAAAAAAAAAAAAAAAAAAAAAAAAAAAAAAAAAAAAAAAAAAAAAAAAAAAAAAAAAAAAAAAAAAAAAAAA
3 3 Suspension & Wheel Bearings 3
AAAAAAAAAAAAAAAAAAAAAAAAAAAAAAAAAAAAAAAAAAAAAAAAAAAAAAAAAAAAAAAAAAAAAAAAAAAAAAAAA
3 3 Check Shift Interlock Operation 3
AAAAAAAAAAAAAAAAAAAAAAAAAAAAAAAAAAAAAAAAAAAAAAAAAAAAAAAAAAAAAAAAAAAAAAAAAAAAAAAAA
3 3 Inspect Steering Linkage/Front Suspension 3
AAAAAAAAAAAAAAAAAAAAAAAAAAAAAAAAAAAAAAAAAAAAAAAAAAAAAAAAAAAAAAAAAAAAAAAAAAAAAAAAA
3 3 Lubricate Chassis 3
AAAAAAAAAAAAAAAAAAAAAAAAAAAAAAAAAAAAAAAAAAAAAAAAAAAAAAAAAAAAAAAAAAAAAAAAAAAAAAAAA
3 3 Inspect Brake Pads, Rotors and Calipers 3
AAAAAAAAAAAAAAAAAAAAAAAAAAAAAAAAAAAAAAAAAAAAAAAAAAAAAAAAAAAAAAAAAAAAAAAAAAAAAAAAA
3 3 Inspect Brake System Hoses & Lines 3
AAAAAAAAAAAAAAAAAAAAAAAAAAAAAAAAAAAAAAAAAAAAAAAAAAAAAAAAAAAAAAAAAAAAAAAAAAAAAAAAA
3 3 Inspect Shocks/Struts for Leakage 3
AAAAAAAAAAAAAAAAAAAAAAAAAAAAAAAAAAAAAAAAAAAAAAAAAAAAAAAAAAAAAAAAAAAAAAAAAAAAAAAAA
3 3 Inspect Tire Wear and Condition 3
AAAAAAAAAAAAAAAAAAAAAAAAAAAAAAAAAAAAAAAAAAAAAAAAAAAAAAAAAAAAAAAAAAAAAAAAAAAAAAAAA
3 3 Rotate Tires and Adjust Air Pressure (Including Spare) 3
AAAAAAAAAAAAAAAAAAAAAAAAAAAAAAAAAAAAAAAAAAAAAAAAAAAAAAAAAAAAAAAAAAAAAAAAAAAAAAAAA
3 Replace 3
AAAAAAAAAAAAAAAAAAAAAAAAAAAAAAAAAAAAAAAAAAAAAAAAAAAAAAAAAAAAAAAAAAAAAAAAAAAAAAAAA
3 3 Engine Oil 3
AAAAAAAAAAAAAAAAAAAAAAAAAAAAAAAAAAAAAAAAAAAAAAAAAAAAAAAAAAAAAAAAAAAAAAAAAAAAAAAAA
3 3 Oil Filter 3
AAAAAAAAAAAAAAAAAAAAAAAAAAAAAAAAAAAAAAAAAAAAAAAAAAAAAAAAAAAAAAAAAAAAAAAAAAAAAAAAA
3 3 Spark Plugs 3
AAAAAAAAAAAAAAAAAAAAAAAAAAAAAAAAAAAAAAAAAAAAAAAAAAAAAAAAAAAAAAAAAAAAAAAAAAAAAAAAA
3 3 Air Filter Element 3
AAAAAAAAAAAAAAAAAAAAAAAAAAAAAAAAAAAAAAAAAAAAAAAAAAAAAAAAAAAAAAAAAAAAAAAAAAAAAAAAA
3 3 Replace (2) Passenger HVAC Air Filters 3
AAAAAAAAAAAAAAAAAAAAAAAAAAAAAAAAAAAAAAAAAAAAAAAAAAAAAAAAAAAAAAAAAAAAAAAAAAAAAAAAA
3 3 Replace Automatic Transmission Fluid and Clean ATF Strainer 3
AAAAAAAAAAAAAAAAAAAAAAAAAAAAAAAAAAAAAAAAAAAAAAAAAAAAAAAAAAAAAAAAAAAAAAAAAAAAAAAAA
3 3 Drain, Refill and Bleed Brake System Fluid 3
AAAAAAAAAAAAAAAAAAAAAAAAAAAAAAAAAAAAAAAAAAAAAAAAAAAAAAAAAAAAAAAAAAAAAAAAAAAAAAAAA
3 3 Drain, Flush and Refill Engine Coolant 3
AAAAAAAAAAAAAAAAAAAAAAAAAAAAAAAAAAAAAAAAAAAAAAAAAAAAAAAAAAAAAAAAAAAAAAAAAAAAAAAAA
3 Lubrication Specifications 3
AAAAAAAAAAAAAAAAAAAAAAAAAAAAAAAAAAAAAAAAAAAAAAAAAAAAAAAAAAAAAAAAAAAAAAAAAAAAAAAAA
3 Application Specification 3
3
3 Automatic Transaxle ..... Dexron-II E ATF 3
3 Brake Fluid ..... SAE J1703 Or DOT 4 Brake Fluid 3
3 Coolant ..... 50/50 Mix Ethylene Glycol/Water 3
3 Engine Oil 3
3 Ambient Temperatures 3
3 Greater Than 140 F (-10C) ... SAE 20W-40 Or 20W-50 API SG/CD 3
    
```

**SCHEDULED SERVICES**

**Article Text (p. 19)**

1993 Volkswagen EuroVan

For Volkswagen Technical Site

Copyright © 1998 Mitchell Repair Information Company, LLC

Saturday, March 18, 2000 10:35PM

- 3 140-500F (-100 To +100C) ..... SAE 10W-30 Or 10W-40 API SG/CD 3
- 3 Less Than 500F (100C) ..... SAE 5W-30 Or 5W-40 API SG/CD 3
- 3 Wheel Bearings ..... NLGI Grade 2 Category GC-LB 3
- 3 Steering Linkage (1)(2) ..... NLGI Grade 2 Category GC-LB 3
- 3 Ball Joints (1)(3) ..... NLGI Grade 2 Category GC-LB 3
- 3 Manual Transaxle ..... SAE 80W API GL-4 Or SAE 75W-90 3
- 3 Synthetic Transmission Oil G 50 3
- 3 Power Steering Fluid ..... VW Hydraulic Oil G-002-000 3
- 3 Weatherstrip ..... Dielectric Silicone Grease 3
- 3 Final Drive (Differential) ..... Synthetic Transmission Oil G 50 3
- 3 SAE 75W-90 3

- 3 (1) - Use low pressure grease gun to prevent seal damage. 3
- 3 (2) - Fill until lubricant squeezes out from the base of seals. 3
- 3 (3) - Fill ball joint until seal starts to swell. 3

Fluid Capacities

| 3 Application            | (1) Quantity     | 3 |
|--------------------------|------------------|---|
| 3 Automatic Transmission | 3.2 Qts. (3.0L)  | 3 |
| 3 Cooling System         | 18.6 Qts (17.5L) | 3 |
| 3 Engine Oil (2)         |                  | 3 |
| 3 1993-94                |                  | 3 |
| 3 2.5L Gasoline          | 4.8 Qts. (4.5L)  | 3 |
| 3 1995                   |                  | 3 |
| 3 2.4L Diesel            | 6.0 Qts. (5.5L)  | 3 |
| 3 2.5L Gasoline          | 6.0 Qts. (5.5L)  | 3 |

- 3 (1) - Capacities are recommended or calculated levels. Always use 3
- 3 dipstick (if available) to measure level. 3
- 3 (2) - Includes filter change. 3

Service Labor Times

| 3 Application            | (1)(2)(3) Hours | 3 |
|--------------------------|-----------------|---|
| 3 2.5L 5-Cylinder        |                 | 3 |
| 3 Automatic Transmission | 3.4             | 3 |
| 3 Manual Transmission    | 2.8             | 3 |

- 3 (1) - Add .2 hr. if equipped with A/C. 3
- 3 (2) - Add .1 hr. if equipped with cruise control. 3
- 3 (3) - Add 2.0 hrs. to replace camshaft timing belt. 3

**36,000 MILE (57,600 KM) SERVICE**

36,000 MILE (57,600 KM) SERVICE

Service Or Inspect

**SCHEDULED SERVICES**

**Article Text (p. 20)**

1993 Volkswagen EuroVan  
For Volkswagen Technical Site

Copyright © 1998 Mitchell Repair Information Company, LLC

Saturday, March 18, 2000 10:35PM

```

3  3  Verify Last Major Service Was Performed      3
AAA~
3  3  Check Fluid Levels                             3
AAA~
3  3  Inspect Coolant Hoses and Clamps              3
AAA~
3  3  Inspect C/V Joint boots                       3
AAA~
3  3  Lubricate Chassis                             3
AAA~
3  3  Replace                                         3
AAA~
3  3  Camshaft Timing Belt                          3
AAA~
3  Lubrication Specifications                       3
AAA~
3  Application                                      Specification 3
3
3  Engine Oil                                        3
3  Ambient Temperatures                            3
3  Greater Than 140 F (-10C) ... SAE 20W-40 Or 20W-50 API SG/CD 3
3  140-500F (-100 To +100C) ..... SAE 10W-30 Or 10W-40 API SG/CD 3
3  Less Than 500F (100C) ..... SAE 5W-30 Or 5W-40 API SG/CD 3
AAA~
3  Fluid Capacities                               3
AAA~
3  Application                                      (1) Quantity 3
3
3  Engine Oil (2)                                  3
3  1993-94                                          3
3  2.5L Gasoline ..... 4.8 Qts. (4.5L) 3
3  1995                                              3
3  2.4L Diesel ..... 6.0 Qts. (5.5L) 3
3  2.5L Gasoline ..... 6.0 Qts. (5.5L) 3
3
3  (1) - Capacities are recommended or calculated levels. Always use 3
3  dipstick (if available) to measure level. 3
3  (2) - Includes filter change. 3
AAA~
3  Service Labor Times                             3
AAA~
3  Application                                      (1)(2)(3) Hours 3
3
3  2.5L 5-Cylinder                                  3
3  Automatic Transmission ..... 3.4 3
3  Manual Transmission ..... 2.8 3
3
3  (1) - Add .2 hr. if equipped with A/C. 3
3  (2) - Add .1 hr. if equipped with cruise control. 3
3  (3) - Add 2.0 hrs. to replace camshaft timing belt. 3
AAA~

```

SCHEDULED SERVICES

Article Text (p. 21)

1993 Volkswagen EuroVan

For Volkswagen Technical Site

Copyright © 1998 Mitchell Repair Information Company, LLC

Saturday, March 18, 2000 10:36PM

37,500 MILE (60,000 KM) SERVICE

37,500 MILE (60,000 KM) SERVICE

Service Or Inspect

Verify Last Major Service Was Performed

Check Fluid Levels

Inspect Coolant Hoses and Clamps

Inspect Brake System

Inspect Exhaust System

Inspect C/V Joint boots

Inspect Steering Linkage/Front Suspension

Lubricate Chassis

Replace

Engine Oil

Oil Filter

Lubrication Specifications

Application Specification

Engine Oil

Ambient Temperatures

Greater Than 140 F (-10C) ... SAE 20W-40 Or 20W-50 API SG/CD

140-500F (-100 To +100C) ..... SAE 10W-30 Or 10W-40 API SG/CD

Less Than 500F (100C) ..... SAE 5W-30 Or 5W-40 API SG/CD

Fluid Capacities

Application (1) Quantity

Engine Oil (2)

1993-94

2.5L Gasoline ..... 4.8 Qts. (4.5L)

1995

2.4L Diesel ..... 6.0 Qts. (5.5L)

2.5L Gasoline ..... 6.0 Qts. (5.5L)

(1) - Capacities are recommended or calculated levels. Always use dipstick (if available) to measure level.

(2) - Includes filter change.



## SCHEDULED SERVICES

### Article Text (p. 23)

1993 Volkswagen EuroVan

For Volkswagen Technical Site

Copyright © 1998 Mitchell Repair Information Company, LLC

Saturday, March 18, 2000 10:36PM

|                                                                                                                  |   |                                                        |                                   |
|------------------------------------------------------------------------------------------------------------------|---|--------------------------------------------------------|-----------------------------------|
| 3                                                                                                                | 3 | Windshield Washer System                               | 3                                 |
| AAAAAAAAAAAAAAAAAAAAAAAAAAAAAAAAAAAAAAAAAAAAAAAAAAAAAAAAAAAAAAAAAAAAAAAAAAAAAAAAAAAAAAAAAAAAAAAAAAAAAAAAAAAAAAAA |   |                                                        |                                   |
| 3                                                                                                                | 3 | Parking Brake Adjustment                               | 3                                 |
| AAAAAAAAAAAAAAAAAAAAAAAAAAAAAAAAAAAAAAAAAAAAAAAAAAAAAAAAAAAAAAAAAAAAAAAAAAAAAAAAAAAAAAAAAAAAAAAAAAAAAAAAAAAAAAAA |   |                                                        |                                   |
| 3                                                                                                                | 3 | Clutch Adjustment                                      | 3                                 |
| AAAAAAAAAAAAAAAAAAAAAAAAAAAAAAAAAAAAAAAAAAAAAAAAAAAAAAAAAAAAAAAAAAAAAAAAAAAAAAAAAAAAAAAAAAAAAAAAAAAAAAAAAAAAAAAA |   |                                                        |                                   |
| 3                                                                                                                | 3 | Clutch Hydraulic System                                | 3                                 |
| AAAAAAAAAAAAAAAAAAAAAAAAAAAAAAAAAAAAAAAAAAAAAAAAAAAAAAAAAAAAAAAAAAAAAAAAAAAAAAAAAAAAAAAAAAAAAAAAAAAAAAAAAAAAAAAA |   |                                                        |                                   |
| 3                                                                                                                | 3 | Suspension & Wheel Bearings                            | 3                                 |
| AAAAAAAAAAAAAAAAAAAAAAAAAAAAAAAAAAAAAAAAAAAAAAAAAAAAAAAAAAAAAAAAAAAAAAAAAAAAAAAAAAAAAAAAAAAAAAAAAAAAAAAAAAAAAAAA |   |                                                        |                                   |
| 3                                                                                                                | 3 | Check Shift Interlock Operation                        | 3                                 |
| AAAAAAAAAAAAAAAAAAAAAAAAAAAAAAAAAAAAAAAAAAAAAAAAAAAAAAAAAAAAAAAAAAAAAAAAAAAAAAAAAAAAAAAAAAAAAAAAAAAAAAAAAAAAAAAA |   |                                                        |                                   |
| 3                                                                                                                | 3 | Inspect Steering Linkage/Front Suspension              | 3                                 |
| AAAAAAAAAAAAAAAAAAAAAAAAAAAAAAAAAAAAAAAAAAAAAAAAAAAAAAAAAAAAAAAAAAAAAAAAAAAAAAAAAAAAAAAAAAAAAAAAAAAAAAAAAAAAAAAA |   |                                                        |                                   |
| 3                                                                                                                | 3 | Lubricate Chassis                                      | 3                                 |
| AAAAAAAAAAAAAAAAAAAAAAAAAAAAAAAAAAAAAAAAAAAAAAAAAAAAAAAAAAAAAAAAAAAAAAAAAAAAAAAAAAAAAAAAAAAAAAAAAAAAAAAAAAAAAAAA |   |                                                        |                                   |
| 3                                                                                                                | 3 | Inspect Brake Pads, Rotors and Calipers                | 3                                 |
| AAAAAAAAAAAAAAAAAAAAAAAAAAAAAAAAAAAAAAAAAAAAAAAAAAAAAAAAAAAAAAAAAAAAAAAAAAAAAAAAAAAAAAAAAAAAAAAAAAAAAAAAAAAAAAAA |   |                                                        |                                   |
| 3                                                                                                                | 3 | Inspect Brake System Hoses & Lines                     | 3                                 |
| AAAAAAAAAAAAAAAAAAAAAAAAAAAAAAAAAAAAAAAAAAAAAAAAAAAAAAAAAAAAAAAAAAAAAAAAAAAAAAAAAAAAAAAAAAAAAAAAAAAAAAAAAAAAAAAA |   |                                                        |                                   |
| 3                                                                                                                | 3 | Inspect Shocks/Struts for Leakage                      | 3                                 |
| AAAAAAAAAAAAAAAAAAAAAAAAAAAAAAAAAAAAAAAAAAAAAAAAAAAAAAAAAAAAAAAAAAAAAAAAAAAAAAAAAAAAAAAAAAAAAAAAAAAAAAAAAAAAAAAA |   |                                                        |                                   |
| 3                                                                                                                | 3 | Inspect Tire Wear and Condition                        | 3                                 |
| AAAAAAAAAAAAAAAAAAAAAAAAAAAAAAAAAAAAAAAAAAAAAAAAAAAAAAAAAAAAAAAAAAAAAAAAAAAAAAAAAAAAAAAAAAAAAAAAAAAAAAAAAAAAAAAA |   |                                                        |                                   |
| 3                                                                                                                | 3 | Rotate Tires and Adjust Air Pressure (Including Spare) | 3                                 |
| AAAAAAAAAAAAAAAAAAAAAAAAAAAAAAAAAAAAAAAAAAAAAAAAAAAAAAAAAAAAAAAAAAAAAAAAAAAAAAAAAAAAAAAAAAAAAAAAAAAAAAAAAAAAAAAA |   |                                                        |                                   |
| 3                                                                                                                |   | Replace                                                | 3                                 |
| AAAAAAAAAAAAAAAAAAAAAAAAAAAAAAAAAAAAAAAAAAAAAAAAAAAAAAAAAAAAAAAAAAAAAAAAAAAAAAAAAAAAAAAAAAAAAAAAAAAAAAAAAAAAAAAA |   |                                                        |                                   |
| 3                                                                                                                | 3 | Engine Oil                                             | 3                                 |
| AAAAAAAAAAAAAAAAAAAAAAAAAAAAAAAAAAAAAAAAAAAAAAAAAAAAAAAAAAAAAAAAAAAAAAAAAAAAAAAAAAAAAAAAAAAAAAAAAAAAAAAAAAAAAAAA |   |                                                        |                                   |
| 3                                                                                                                | 3 | Oil Filter                                             | 3                                 |
| AAAAAAAAAAAAAAAAAAAAAAAAAAAAAAAAAAAAAAAAAAAAAAAAAAAAAAAAAAAAAAAAAAAAAAAAAAAAAAAAAAAAAAAAAAAAAAAAAAAAAAAAAAAAAAAA |   |                                                        |                                   |
| 3                                                                                                                | 3 | Drain, Refill and Bleed Brake System Fluid             | 3                                 |
| AAAAAAAAAAAAAAAAAAAAAAAAAAAAAAAAAAAAAAAAAAAAAAAAAAAAAAAAAAAAAAAAAAAAAAAAAAAAAAAAAAAAAAAAAAAAAAAAAAAAAAAAAAAAAAAA |   |                                                        |                                   |
| 3                                                                                                                |   | Lubrication Specifications                             | 3                                 |
| AAAAAAAAAAAAAAAAAAAAAAAAAAAAAAAAAAAAAAAAAAAAAAAAAAAAAAAAAAAAAAAAAAAAAAAAAAAAAAAAAAAAAAAAAAAAAAAAAAAAAAAAAAAAAAAA |   |                                                        |                                   |
| 3                                                                                                                |   | Application                                            | Specification 3                   |
| 3                                                                                                                |   |                                                        |                                   |
| 3                                                                                                                |   | Automatic Transaxle                                    | Dexron-IIIE ATF 3                 |
| 3                                                                                                                |   | Brake Fluid                                            | SAE J1703 Or DOT 4 Brake Fluid 3  |
| 3                                                                                                                |   | Coolant                                                | 50/50 Mix Ethylene Glycol/Water 3 |
| 3                                                                                                                |   | Engine Oil                                             | 3                                 |
| 3                                                                                                                |   | Ambient Temperatures                                   | 3                                 |
| 3                                                                                                                |   | Greater Than 140 F (-10C)                              | SAE 20W-40 Or 20W-50 API SG/CD 3  |
| 3                                                                                                                |   | 140-50F (-10 To +10C)                                  | SAE 10W-30 Or 10W-40 API SG/CD 3  |
| 3                                                                                                                |   | Less Than 50F (10C)                                    | SAE 5W-30 Or 5W-40 API SG/CD 3    |
| 3                                                                                                                |   | Wheel Bearings                                         | NLGI Grade 2 Category GC-LB 3     |
| 3                                                                                                                |   | Steering Linkage (1)(2)                                | NLGI Grade 2 Category GC-LB 3     |
| 3                                                                                                                |   | Ball Joints (1)(3)                                     | NLGI Grade 2 Category GC-LB 3     |
| 3                                                                                                                |   | Manual Transaxle                                       | SAE 80W API GL-4 Or SAE 75W-90 3  |
| 3                                                                                                                |   |                                                        | Synthetic Transmission Oil G 50 3 |
| 3                                                                                                                |   | Power Steering Fluid                                   | VW Hydraulic Oil G-002-000 3      |

**SCHEDULED SERVICES**

**Article Text (p. 24)**

1993 Volkswagen EuroVan

For Volkswagen Technical Site

Copyright © 1998 Mitchell Repair Information Company, LLC

Saturday, March 18, 2000 10:36PM

- 3 Weatherstrip ..... Dielectric Silicone Grease 3
- 3 Final Drive (Differential) ..... Synthetic Transmission Oil G 50 3
- 3 SAE 75W-90 3
- 3
- 3 (1) - Use low pressure grease gun to prevent seal damage. 3
- 3 (2) - Fill until lubricant squeezes out from the base of seals. 3
- 3 (3) - Fill ball joint until seal starts to swell. 3

~~~~~

3 Fluid Capacities 3

~~~~~

3 Application (1) Quantity 3

3

3 Automatic Transmission ..... 3.2 Qts. (3.0L) 3

3 Cooling System ..... 18.6 Qts (17.5L) 3

3 Engine Oil (2) 3

3 1993-94 3

3 2.5L Gasoline ..... 4.8 Qts. (4.5L) 3

3 1995 3

3 2.4L Diesel ..... 6.0 Qts. (5.5L) 3

3 2.5L Gasoline ..... 6.0 Qts. (5.5L) 3

3

3 (1) - Capacities are recommended or calculated levels. Always use 3

3 dipstick (if available) to measure level. 3

3 (2) - Includes filter change. 3

~~~~~

3 Service Labor Times 3

~~~~~

3 Application (1)(2)(3) Hours 3

3

3 2.5L 5-Cylinder 3

3 Automatic Transmission ..... 1.6 3

3 Manual Transmission ..... 1.8 3

3

3 (1) - Add .2 hr. if equipped with A/C. 3

3 (2) - Add .1 hr. if equipped with cruise control. 3

3 (3) - Add 2.0 hrs. to replace camshaft timing belt. 3

~~~~~

52,500 MILE (84,000 KM) SERVICE

52,500 MILE (84,000 KM) SERVICE

~~~~~

3 Service Or Inspect 3

~~~~~

3 3 Verify Last Major Service Was Performed 3

~~~~~

3 3 Check Fluid Levels 3

~~~~~

3 3 Inspect Coolant Hoses and Clamps 3

~~~~~

3 3 Inspect Brake System 3

~~~~~


SCHEDULED SERVICES

Article Text (p. 26)

1993 Volkswagen EuroVan

For Volkswagen Technical Site

Copyright © 1998 Mitchell Repair Information Company, LLC

Saturday, March 18, 2000 10:36PM

3	3	Check Cooling System Hoses and Clamps	3
3	3	Check Coolant Strength	3
3	3	Inspect For Fluid Leaks	3
3	3	Inspect/Adjust Accessory Drive Belts (Replace if Required)	3
3	3	A/C Cooling & Heating System	3
3	3	Crankcase Ventilation System	3
3	3	Intake Air System	3
3	3	Throttle Linkage	3
3	3	Inspect Brake System	3
3	3	Check Exhaust System & Heat Shielding	3
3	3	Clean Battery and Battery Terminals	3
3	3	Inspect Fuel/Tank/Cap/Lines	3
3	3	Check Operation of Horn, Wipers/Washers & All Exterior Lights	3
3	3	Inspect Condition of Wiper Blades	3
3	3	Check Headlight Alignment	3
3	3	Lubricate Weatherstripping with Silicone	3
3	3	Door/Hood/Trunk Stops, Hinges & Locks	3
3	3	Check Body Drain Holes	3
3	3	Check Seat Belt Webbing and Release Mechanisms	3
3	3	Windshield Washer System	3
3	3	Parking Brake Adjustment	3
3	3	Clutch Adjustment	3
3	3	Clutch Hydraulic System	3
3	3	Suspension & Wheel Bearings	3
3	3	Check Shift Interlock Operation	3
3	3	Inspect Steering Linkage/Front Suspension	3

SCHEDULED SERVICES

Article Text (p. 27)

1993 Volkswagen EuroVan

For Volkswagen Technical Site

Copyright © 1998 Mitchell Repair Information Company, LLC

Saturday, March 18, 2000 10:36PM

3	3	Lubricate Chassis	3
AA			
3	3	Inspect Brake Pads, Rotors and Calipers	3
AA			
3	3	Inspect Brake System Hoses & Lines	3
AA			
3	3	Inspect Shocks/Struts for Leakage	3
AA			
3	3	Inspect Tire Wear and Condition	3
AA			
3	3	Rotate Tires and Adjust Air Pressure (Including Spare)	3
AA			
3		Replace	3
AA			
3	3	Engine Oil	3
AA			
3	3	Oil Filter	3
AA			
3	3	Spark Plugs	3
AA			
3	3	Air Filter Element	3
AA			
3	3	Replace (2) Passenger HVAC Air Filters	3
AA			
3	3	Replace Automatic Transmission Fluid and Clean ATF Strainer	3
AA			
3	3	Manual Transmission Fluid	3
AA			
3	3	A/T Differential Oil	3
AA			
3	3	Oxygen Sensor	3
AA			
3	3	Drain, Refill and Bleed Brake System Fluid	3
AA			
3	3	Drain, Flush and Refill Engine Coolant	3
AA			
3		Lubrication Specifications	3
AA			
3	Application	Specification	3
3			3
3	Automatic Transaxle	Dexron-IIIE ATF	3
3	Brake Fluid	SAE J1703 Or DOT 4 Brake Fluid	3
3	Coolant	50/50 Mix Ethylene Glycol/Water	3
3	Engine Oil		3
3	Ambient Temperatures		3
3	Greater Than 140 F (-10C)	SAE 20W-40 Or 20W-50 API SG/CD	3
3	140-500F (-100 To +100C)	SAE 10W-30 Or 10W-40 API SG/CD	3
3	Less Than 500F (100C)	SAE 5W-30 Or 5W-40 API SG/CD	3
3	Wheel Bearings	NLGI Grade 2 Category GC-LB	3
3	Steering Linkage (1)(2)	NLGI Grade 2 Category GC-LB	3
3	Ball Joints (1)(3)	NLGI Grade 2 Category GC-LB	3
3	Manual Transaxle	SAE 80W API GL-4 Or SAE 75W-90	3

SCHEDULED SERVICES
Article Text (p. 28)
1993 Volkswagen EuroVan
For Volkswagen Technical Site
Copyright © 1998 Mitchell Repair Information Company, LLC
Saturday, March 18, 2000 10:36PM

- 3 Synthetic Transmission Oil G 50 3
- 3 Power Steering Fluid VW Hydraulic Oil G-002-000 3
- 3 Weatherstrip Dielectric Silicone Grease 3
- 3 Final Drive (Differential) Synthetic Transmission Oil G 50 3
- 3 SAE 75W-90 3
- 3
- 3 (1) - Use low pressure grease gun to prevent seal damage. 3
- 3 (2) - Fill until lubricant squeezes out from the base of seals. 3
- 3 (3) - Fill ball joint until seal starts to swell. 3

~~~~~

3 Fluid Capacities 3

~~~~~

3 Application	(1) Quantity	3
3	3	3
3 Automatic Transmission	3.2 Qts. (3.0L)	3
3 Cooling System	18.6 Qts (17.5L)	3
3 Engine Oil (2)		3
3 1993-94		3
3 2.5L Gasoline	4.8 Qts. (4.5L)	3
3 1995		3
3 2.4L Diesel	6.0 Qts. (5.5L)	3
3 2.5L Gasoline	6.0 Qts. (5.5L)	3

- 3 (1) - Capacities are recommended or calculated levels. Always use 3
- 3 dipstick (if available) to measure level. 3
- 3 (2) - Includes filter change. 3

~~~~~

3 Service Labor Times 3

~~~~~

3 Application	(1)(2)(3) Hours	3
3	3	3
3 2.5L 5-Cylinder		3
3 Automatic Transmission	4.3	3
3 Manual Transmission	3.7	3

- 3 (1) - Add .2 hr. if equipped with A/C. 3
- 3 (2) - Add .1 hr. if equipped with cruise control. 3
- 3 (3) - Add 2.0 hrs. to replace camshaft timing belt. 3

~~~~~

**67,500 MILE (108,000 KM) SERVICE**

67,500 MILE (108,000 KM) SERVICE

~~~~~

3 Service Or Inspect 3

~~~~~

3 Verify Last Major Service Was Performed 3

~~~~~

3 Check Fluid Levels 3

~~~~~

3 Inspect Coolant Hoses and Clamps 3

~~~~~


SCHEDULED SERVICES

Article Text (p. 31)

1993 Volkswagen EuroVan

For Volkswagen Technical Site

Copyright © 1998 Mitchell Repair Information Company, LLC

Saturday, March 18, 2000 10:36PM

3	Service Or Inspect	3
3	3 Verify Last Major Service Was Performed	3
3	3 Diagnostic System Read Out	3
3	3 Check Fluid Levels	3
3	3 Check Cooling System Hoses and Clamps	3
3	3 Check Coolant Strength	3
3	3 Inspect For Fluid Leaks	3
3	3 Inspect/Adjust Accessory Drive Belts (Replace if Required)	3
3	3 A/C Cooling & Heating System	3
3	3 Crankcase Ventilation System	3
3	3 Intake Air System	3
3	3 Throttle Linkage	3
3	3 Inspect Brake System	3
3	3 Check Exhaust System & Heat Shielding	3
3	3 Clean Battery and Battery Terminals	3
3	3 Inspect Fuel/Tank/Cap/Lines	3
3	3 Check Operation of Horn, Wipers/Washers & All Exterior Lights	3
3	3 Inspect Condition of Wiper Blades	3
3	3 Check Headlight Alignment	3
3	3 Lubricate Weatherstripping with Silicone	3
3	3 Door/Hood/Trunk Stops, Hinges & Locks	3
3	3 Check Body Drain Holes	3
3	3 Check Seat Belt Webbing and Release Mechanisms	3
3	3 Windshield Washer System	3
3	3 Parking Brake Adjustment	3
3	3 Clutch Adjustment	3

SCHEDULED SERVICES

Article Text (p. 32)

1993 Volkswagen EuroVan

For Volkswagen Technical Site

Copyright © 1998 Mitchell Repair Information Company, LLC

Saturday, March 18, 2000 10:36PM

3	3	Clutch Hydraulic System	3
3	3	Suspension & Wheel Bearings	3
3	3	Check Shift Interlock Operation	3
3	3	Inspect Steering Linkage/Front Suspension	3
3	3	Lubricate Chassis	3
3	3	Inspect Brake Pads, Rotors and Calipers	3
3	3	Inspect Brake System Hoses & Lines	3
3	3	Inspect Shocks/Struts for Leakage	3
3	3	Inspect Tire Wear and Condition	3
3	3	Rotate Tires and Adjust Air Pressure (Including Spare)	3
3		Replace	3
3	3	Engine Oil	3
3	3	Oil Filter	3
3	3	Drain, Refill and Bleed Brake System Fluid	3
3		Lubrication Specifications	3
3		Application	Specification 3
3			3
3		Automatic Transaxle	Dexron-IIIE ATF 3
3		Brake Fluid	SAE J1703 Or DOT 4 Brake Fluid 3
3		Coolant	50/50 Mix Ethylene Glycol/Water 3
3		Engine Oil	3
3		Ambient Temperatures	3
3		Greater Than 140 F (-10C)	SAE 20W-40 Or 20W-50 API SG/CD 3
3		140-500F (-100 To +100C)	SAE 10W-30 Or 10W-40 API SG/CD 3
3		Less Than 500F (100C)	SAE 5W-30 Or 5W-40 API SG/CD 3
3		Wheel Bearings	NLGI Grade 2 Category GC-LB 3
3		Steering Linkage (1)(2)	NLGI Grade 2 Category GC-LB 3
3		Ball Joints (1)(3)	NLGI Grade 2 Category GC-LB 3
3		Manual Transaxle	SAE 80W API GL-4 Or SAE 75W-90 3
3			Synthetic Transmission Oil G 50 3
3		Power Steering Fluid	VW Hydraulic Oil G-002-000 3
3		Weatherstrip	Dielectric Silicone Grease 3
3		Final Drive (Differential)	Synthetic Transmission Oil G 50 3
3			SAE 75W-90 3
3			3
3		(1) - Use low pressure grease gun to prevent seal damage.	3
3		(2) - Fill until lubricant squeezes out from the base of seals.	3

SCHEDULED SERVICES

Article Text (p. 33)

1993 Volkswagen EuroVan
For Volkswagen Technical Site
Copyright © 1998 Mitchell Repair Information Company, LLC
Saturday, March 18, 2000 10:36PM

Table with 2 columns: Application and (1) Quantity. Rows include Automatic Transmission (3.2 Qts), Cooling System (18.6 Qts), Engine Oil (2) for 1993-94 (2.5L Gasoline: 4.8 Qts) and 1995 (2.4L Diesel: 6.0 Qts, 2.5L Gasoline: 6.0 Qts).

- (1) - Capacities are recommended or calculated levels. Always use dipstick (if available) to measure level.
(2) - Includes filter change.

Table with 2 columns: Application and (1)(2)(3) Hours. Rows include 2.5L 5-Cylinder Automatic Transmission (1.6) and Manual Transmission (1.8).

- (1) - Add .2 hr. if equipped with A/C.
(2) - Add .1 hr. if equipped with cruise control.
(3) - Add 2.0 hrs. to replace camshaft timing belt.

82,500 MILE (132,000 KM) SERVICE

Table with 2 columns: Service Or Inspect and Quantity. Rows include Verify Last Major Service Was Performed, Check Fluid Levels, Inspect Coolant Hoses and Clamps, Inspect Brake System, Inspect Exhaust System, Inspect C/V Joint boots, Inspect Steering Linkage/Front Suspension.

SCHEDULED SERVICES

Article Text (p. 36)

1993 Volkswagen EuroVan

For Volkswagen Technical Site

Copyright © 1998 Mitchell Repair Information Company, LLC

Saturday, March 18, 2000 10:36PM

3	3	Inspect Shocks/Struts for Leakage	3
^			
3	3	Inspect Tire Wear and Condition	3
^			
3	3	Rotate Tires and Adjust Air Pressure (Including Spare)	3
^			
3		Replace	3
^			
3	3	Engine Oil	3
^			
3	3	Oil Filter	3
^			
3	3	Drain, Refill and Bleed Brake System Fluid	3
^			
3	3	Spark Plugs	3
^			
3	3	Air Filter Element	3
^			
3	3	Replace (2) Passenger HVAC Air Filters	3
^			
3	3	Replace Automatic Transmission Fluid and Clean ATF Strainer	3
^			
3	3	Drain, Refill and Bleed Brake System Fluid	3
^			
3	3	Drain, Flush and Refill Engine Coolant	3
^			
3		Lubrication Specifications	3
^			
3	Application	Specification	3
^			
3	Automatic Transaxle	Dexron-IIIE ATF	3
3	Brake Fluid	SAE J1703 Or DOT 4 Brake Fluid	3
3	Coolant	50/50 Mix Ethylene Glycol/Water	3
3	Engine Oil		3
3	Ambient Temperatures		3
3	Greater Than 140 F (-10C)	SAE 20W-40 Or 20W-50 API SG/CD	3
3	140-50F (-10 To +10C)	SAE 10W-30 Or 10W-40 API SG/CD	3
3	Less Than 50F (10C)	SAE 5W-30 Or 5W-40 API SG/CD	3
3	Wheel Bearings	NLGI Grade 2 Category GC-LB	3
3	Steering Linkage (1)(2)	NLGI Grade 2 Category GC-LB	3
3	Ball Joints (1)(3)	NLGI Grade 2 Category GC-LB	3
3	Manual Transaxle	SAE 80W API GL-4 Or SAE 75W-90	3
3		Synthetic Transmission Oil G 50	3
3	Power Steering Fluid	VW Hydraulic Oil G-002-000	3
3	Weatherstrip	Dielectric Silicone Grease	3
3	Final Drive (Differential)	Synthetic Transmission Oil G 50	3
3		SAE 75W-90	3
^			
3	(1) - Use low pressure grease gun to prevent seal damage.		3
3	(2) - Fill until lubricant squeezes out from the base of seals.		3
3	(3) - Fill ball joint until seal starts to swell.		3
^			

SCHEDULED SERVICES

Article Text (p. 37)

1993 Volkswagen EuroVan

For Volkswagen Technical Site

Copyright © 1998 Mitchell Repair Information Company, LLC

Saturday, March 18, 2000 10:36PM

3 Fluid Capacities 3

#####

3 Application	(1) Quantity	3
3 Automatic Transmission	3.2 Qts. (3.0L)	3
3 Cooling System	18.6 Qts (17.5L)	3
3 Engine Oil (2)		3
3 1993-94		3
3 2.5L Gasoline	4.8 Qts. (4.5L)	3
3 1995		3
3 2.4L Diesel	6.0 Qts. (5.5L)	3
3 2.5L Gasoline	6.0 Qts. (5.5L)	3

3 (1) - Capacities are recommended or calculated levels. Always use 3

3 dipstick (if available) to measure level. 3

3 (2) - Includes filter change. 3

#####

3 Service Labor Times 3

#####

3 Application	(1)(2)(3) Hours	3
3 2.5L 5-Cylinder		3
3 Automatic Transmission	3.4	3
3 Manual Transmission	2.8	3

3 (1) - Add .2 hr. if equipped with A/C. 3

3 (2) - Add .1 hr. if equipped with cruise control. 3

3 (3) - Add 2.0 hrs. to replace camshaft timing belt. 3

#####

97,500 MILE (156,000 KM) SERVICE

97,500 MILE (156,000 KM) SERVICE

#####

3 Service Or Inspect 3

#####

3 3 Verify Last Major Service Was Performed 3

#####

3 3 Check Fluid Levels 3

#####

3 3 Inspect Coolant Hoses and Clamps 3

#####

3 3 Inspect Brake System 3

#####

3 3 Inspect Exhaust System 3

#####

3 3 Inspect C/V Joint boots 3

#####

3 3 Inspect Steering Linkage/Front Suspension 3

#####

3 3 Lubricate Chassis 3

#####

SCHEDULED SERVICES

Article Text (p. 40)

1993 Volkswagen EuroVan

For Volkswagen Technical Site

Copyright © 1998 Mitchell Repair Information Company, LLC

Saturday, March 18, 2000 10:36PM

3	3	Inspect Tire Wear and Condition	3
~~~~~			
3	3	Rotate Tires and Adjust Air Pressure (Including Spare)	3
~~~~~			
3		Replace	3
~~~~~			
3	3	Engine Oil	3
~~~~~			
3	3	Oil Filter	3
~~~~~			
3	3	Drain, Refill and Bleed Brake System Fluid	3
~~~~~			
3		Lubrication Specifications	3
~~~~~			
3		Application	Specification 3
3			3
3		Automatic Transaxle	Dexron-IIIE ATF 3
3		Brake Fluid	SAE J1703 Or DOT 4 Brake Fluid 3
3		Coolant	50/50 Mix Ethylene Glycol/Water 3
3		Engine Oil	3
3		Ambient Temperatures	3
3		Greater Than 140 F (-10C)	SAE 20W-40 Or 20W-50 API SG/CD 3
3		140-50F (-10 To +10C)	SAE 10W-30 Or 10W-40 API SG/CD 3
3		Less Than 50F (10C)	SAE 5W-30 Or 5W-40 API SG/CD 3
3		Wheel Bearings	NLGI Grade 2 Category GC-LB 3
3		Steering Linkage (1)(2)	NLGI Grade 2 Category GC-LB 3
3		Ball Joints (1)(3)	NLGI Grade 2 Category GC-LB 3
3		Manual Transaxle	SAE 80W API GL-4 Or SAE 75W-90 3
3			Synthetic Transmission Oil G 50 3
3		Power Steering Fluid	VW Hydraulic Oil G-002-000 3
3		Weatherstrip	Dielectric Silicone Grease 3
3		Final Drive (Differential)	Synthetic Transmission Oil G 50 3
3			SAE 75W-90 3
3			3
3		(1) - Use low pressure grease gun to prevent seal damage.	3
3		(2) - Fill until lubricant squeezes out from the base of seals.	3
3		(3) - Fill ball joint until seal starts to swell.	3
~~~~~			
3		Fluid Capacities	3
~~~~~			
3		Application	(1) Quantity 3
3			3
3		Automatic Transmission	3.2 Qts. (3.0L) 3
3		Cooling System	18.6 Qts (17.5L) 3
3		Engine Oil (2)	3
3		1993-94	3
3		2.5L Gasoline	4.8 Qts. (4.5L) 3
3		1995	3
3		2.4L Diesel	6.0 Qts. (5.5L) 3
3		2.5L Gasoline	6.0 Qts. (5.5L) 3
3			3
3		(1) - Capacities are recommended or calculated levels. Always use	3



SCHEDULED SERVICES

Article Text (p. 41)

1993 Volkswagen EuroVan

For Volkswagen Technical Site

Copyright © 1998 Mitchell Repair Information Company, LLC

Saturday, March 18, 2000 10:36PM

3	dipstick (if available) to measure level.	3
3	(2) - Includes filter change.	3
AAAAAAAAAAAAAAAAAAAAAAAAAAAAAAAAAAAAAAAAAAAAAAAAAAAAAAAAAAAAAAAAAAAAAAAAAAAAAAAAAAAAAAAAAAAAAAAAAAAAAAAAAAAAAAAAAAAAAAAA		
3	Service Labor Times	3
AAAAAAAAAAAAAAAAAAAAAAAAAAAAAAAAAAAAAAAAAAAAAAAAAAAAAAAAAAAAAAAAAAAAAAAAAAAAAAAAAAAAAAAAAAAAAAAAAAAAAAAAAAAAAAAAAAAAAAAA		
3	Application	(1)(2)(3) Hours 3
3		3
3	2.5L 5-Cylinder	3
3	Automatic Transmission .....	1.6 3
3	Manual Transmission .....	1.8 3
3		3
3	(1) - Add .2 hr. if equipped with A/C.	3
3	(2) - Add .1 hr. if equipped with cruise control.	3
3	(3) - Add 2.0 hrs. to replace camshaft timing belt.	3
AAAAAAAAAAAAAAAAAAAAAAAAAAAAAAAAAAAAAAAAAAAAAAAAAAAAAAAAAAAAAAAAAAAAAAAAAAAAAAAAAAAAAAAAAAAAAAAAAAAAAAAAAAAAAAAAAAAAAAAA		

108,000 MILE (172,800 KM) SERVICE

108,000 MILE (172,800 KM) SERVICE		
AAAAAAAAAAAAAAAAAAAAAAAAAAAAAAAAAAAAAAAAAAAAAAAAAAAAAAAAAAAAAAAAAAAAAAAAAAAAAAAAAAAAAAAAAAAAAAAAAAAAAAAAAAAAAAAAAAAAAAAA		
3	Service Or Inspect	3
AAAAAAAAAAAAAAAAAAAAAAAAAAAAAAAAAAAAAAAAAAAAAAAAAAAAAAAAAAAAAAAAAAAAAAAAAAAAAAAAAAAAAAAAAAAAAAAAAAAAAAAAAAAAAAAAAAAAAAAA		
3	3 Verify Last Major Service Was Performed	3
AAAAAAAAAAAAAAAAAAAAAAAAAAAAAAAAAAAAAAAAAAAAAAAAAAAAAAAAAAAAAAAAAAAAAAAAAAAAAAAAAAAAAAAAAAAAAAAAAAAAAAAAAAAAAAAAAAAAAAAA		
3	3 Check Fluid Levels	3
AAAAAAAAAAAAAAAAAAAAAAAAAAAAAAAAAAAAAAAAAAAAAAAAAAAAAAAAAAAAAAAAAAAAAAAAAAAAAAAAAAAAAAAAAAAAAAAAAAAAAAAAAAAAAAAAAAAAAAAA		
3	3 Inspect Coolant Hoses and Clamps	3
AAAAAAAAAAAAAAAAAAAAAAAAAAAAAAAAAAAAAAAAAAAAAAAAAAAAAAAAAAAAAAAAAAAAAAAAAAAAAAAAAAAAAAAAAAAAAAAAAAAAAAAAAAAAAAAAAAAAAAAA		
3	3 Inspect C/V Joint boots	3
AAAAAAAAAAAAAAAAAAAAAAAAAAAAAAAAAAAAAAAAAAAAAAAAAAAAAAAAAAAAAAAAAAAAAAAAAAAAAAAAAAAAAAAAAAAAAAAAAAAAAAAAAAAAAAAAAAAAAAAA		
3	3 Lubricate Chassis	3
AAAAAAAAAAAAAAAAAAAAAAAAAAAAAAAAAAAAAAAAAAAAAAAAAAAAAAAAAAAAAAAAAAAAAAAAAAAAAAAAAAAAAAAAAAAAAAAAAAAAAAAAAAAAAAAAAAAAAAAA		
3	Replace	3
AAAAAAAAAAAAAAAAAAAAAAAAAAAAAAAAAAAAAAAAAAAAAAAAAAAAAAAAAAAAAAAAAAAAAAAAAAAAAAAAAAAAAAAAAAAAAAAAAAAAAAAAAAAAAAAAAAAAAAAA		
3	3 Camshaft Timing Belt	3
AAAAAAAAAAAAAAAAAAAAAAAAAAAAAAAAAAAAAAAAAAAAAAAAAAAAAAAAAAAAAAAAAAAAAAAAAAAAAAAAAAAAAAAAAAAAAAAAAAAAAAAAAAAAAAAAAAAAAAAA		
3	Lubrication Specifications	3
AAAAAAAAAAAAAAAAAAAAAAAAAAAAAAAAAAAAAAAAAAAAAAAAAAAAAAAAAAAAAAAAAAAAAAAAAAAAAAAAAAAAAAAAAAAAAAAAAAAAAAAAAAAAAAAAAAAAAAAA		
3	Application	Specification 3
3		3
3	Engine Oil	3
3	Ambient Temperatures	3
3	Greater Than 140 F (-10C) ... SAE 20W-40 Or 20W-50 API SG/CD	3
3	140-500F (-100 To +100C) ..... SAE 10W-30 Or 10W-40 API SG/CD	3
3	Less Than 500F (100C) ..... SAE 5W-30 Or 5W-40 API SG/CD	3
AAAAAAAAAAAAAAAAAAAAAAAAAAAAAAAAAAAAAAAAAAAAAAAAAAAAAAAAAAAAAAAAAAAAAAAAAAAAAAAAAAAAAAAAAAAAAAAAAAAAAAAAAAAAAAAAAAAAAAAA		
3	Fluid Capacities	3
AAAAAAAAAAAAAAAAAAAAAAAAAAAAAAAAAAAAAAAAAAAAAAAAAAAAAAAAAAAAAAAAAAAAAAAAAAAAAAAAAAAAAAAAAAAAAAAAAAAAAAAAAAAAAAAAAAAAAAAA		
3	Application	(1) Quantity 3
3		3
3	Engine Oil (2)	3
3	1993-94	3



# SCHEDULED SERVICES

## Article Text (p. 43)

1993 Volkswagen EuroVan

For Volkswagen Technical Site

Copyright © 1998 Mitchell Repair Information Company, LLC

Saturday, March 18, 2000 10:36PM

3 Application	3 Specification
3 Engine Oil	3
3 Ambient Temperatures	3
3 Greater Than 140 F (-10C) ...	3 SAE 20W-40 Or 20W-50 API SG/CD
3 140-50F (-10 To +10C) .....	3 SAE 10W-30 Or 10W-40 API SG/CD
3 Less Than 50F (10C) .....	3 SAE 5W-30 Or 5W-40 API SG/CD
3 ~~~~~	
3 Fluid Capacities	3
3 ~~~~~	
3 Application	(1) Quantity
3 Engine Oil (2)	3
3 1993-94	3
3 2.5L Gasoline .....	3 4.8 Qts. (4.5L)
3 1995	3
3 2.4L Diesel .....	3 6.0 Qts. (5.5L)
3 2.5L Gasoline .....	3 6.0 Qts. (5.5L)
3	3
3 (1) - Capacities are recommended or calculated levels. Always use	3
3 dipstick (if available) to measure level.	3
3 (2) - Includes filter change.	3
3 ~~~~~	

### 120,000 MILE (192,000 KM) SERVICE

120,000 MILE (192,000 KM) SERVICE	
U~~~~~;	
3 Service Or Inspect	3
3 ~~~~~	
3 3 Verify Last Major Service Was Performed	3
3 ~~~~~	
3 3 Diagnostic System Read Out	3
3 ~~~~~	
3 3 Check Fluid Levels	3
3 ~~~~~	
3 3 Check Cooling System Hoses and Clamps	3
3 ~~~~~	
3 3 Check Coolant Strength	3
3 ~~~~~	
3 3 Inspect For Fluid Leaks	3
3 ~~~~~	
3 3 Inspect/Adjust Accessory Drive Belts (Replace if Required)	3
3 ~~~~~	
3 3 A/C Cooling & Heating System	3
3 ~~~~~	
3 3 Crankcase Ventilation System	3
3 ~~~~~	
3 3 Intake Air System	3
3 ~~~~~	
3 3 Throttle Linkage	3
3 ~~~~~	



**SCHEDULED SERVICES**

**Article Text (p. 45)**

1993 Volkswagen EuroVan

For Volkswagen Technical Site

Copyright © 1998 Mitchell Repair Information Company, LLC

Saturday, March 18, 2000 10:36PM

3	3	Oil Filter	3
AAAAAA			
3	3	Spark Plugs	3
AAAAAA			
3	3	Air Filter Element	3
AAAAAA			
3	3	Replace (2) Passenger HVAC Air Filters	3
AAAAAA			
3	3	Replace Automatic Transmission Fluid and Clean ATF Strainer	3
AAAAAA			
3	3	Manual Transmission Fluid	3
AAAAAA			
3	3	A/T Differential Oil	3
AAAAAA			
3	3	Oxygen Sensor	3
AAAAAA			
3	3	Drain, Refill and Bleed Brake System Fluid	3
AAAAAA			
3	3	Drain, Flush and Refill Engine Coolant	3
AAAAAA			
3		Lubrication Specifications	3
AAAAAA			
3	Application	Specification	3
3			3
3	Automatic Transaxle	Dexron-IIIE ATF	3
3	Brake Fluid	SAE J1703 Or DOT 4 Brake Fluid	3
3	Coolant	50/50 Mix Ethylene Glycol/Water	3
3	Engine Oil		3
3	Ambient Temperatures		3
3	Greater Than 140 F (-10C)	SAE 20W-40 Or 20W-50 API SG/CD	3
3	140-50F (-10 To +10C)	SAE 10W-30 Or 10W-40 API SG/CD	3
3	Less Than 50F (10C)	SAE 5W-30 Or 5W-40 API SG/CD	3
3	Wheel Bearings	NLGI Grade 2 Category GC-LB	3
3	Steering Linkage (1)(2)	NLGI Grade 2 Category GC-LB	3
3	Ball Joints (1)(3)	NLGI Grade 2 Category GC-LB	3
3	Manual Transaxle	SAE 80W API GL-4 Or SAE 75W-90	3
3		Synthetic Transmission Oil G 50	3
3	Power Steering Fluid	VW Hydraulic Oil G-002-000	3
3	Weatherstrip	Dielectric Silicone Grease	3
3	Final Drive (Differential)	Synthetic Transmission Oil G 50	3
3		SAE 75W-90	3
3			3
3	(1) - Use low pressure grease gun to prevent seal damage.		3
3	(2) - Fill until lubricant squeezes out from the base of seals.		3
3	(3) - Fill ball joint until seal starts to swell.		3
AAAAAA			
3	Fluid Capacities		3
AAAAAA			
3	Application	(1) Quantity	3
3			3
3	Automatic Transmission	3.2 Qts. (3.0L)	3
3	Cooling System	18.6 Qts (17.5L)	3

**SCHEDULED SERVICES**

**Article Text (p. 46)**

1993 Volkswagen EuroVan

For Volkswagen Technical Site

Copyright © 1998 Mitchell Repair Information Company, LLC

Saturday, March 18, 2000 10:36PM

3	Engine Oil (2)	3
3	1993-94	3
3	2.5L Gasoline .....	4.8 Qts. (4.5L) 3
3	1995	3
3	2.4L Diesel .....	6.0 Qts. (5.5L) 3
3	2.5L Gasoline .....	6.0 Qts. (5.5L) 3
3		3
3	(1) - Capacities are recommended or calculated levels. Always use	3
3	dipstick (if available) to measure level.	3
3	(2) - Includes filter change.	3
~~~~~		
3	Service Labor Times	3
~~~~~		
3	Application	(1)(2)(3) Hours 3
3		3
3	2.5L 5-Cylinder	3
3	Automatic Transmission .....	4.3 3
3	Manual Transmission .....	3.7 3
3		3
3	(1) - Add .2 hr. if equipped with A/C.	3
3	(2) - Add .1 hr. if equipped with cruise control.	3
3	(3) - Add 2.0 hrs. to replace camshaft timing belt.	3
~~~~~		

LUBRICATION SPECIFICATIONS

LUBRICATION SPECIFICATIONS TABLE

~~~~~	
Application	Fluid Specifications
Automatic Transaxle .....	Dexron-II E ATF
Brake Fluid .....	SAE J1703 Or DOT 4 Brake Fluid
Coolant .....	50/50 Mix Water & Ethylene Glycol
Engine Oil	
Ambient Temperatures	
Greater Than 140 F (-10C) ..	SAE 15W-40 Or 20W-50 API SG/CD
140-500F (-100 To +100C) ....	SAE 10W-30 Or 10W-40 API SG/CD
Less Than 500F (100C) .....	SAE 5W-30 Or 5W-40 API SG/CD
Manual Transaxle .....	SAE 80W API GL-4 Or SAE 75W-90
	Synthetic Transmission Oil G 50
Power Steering Fluid .....	VW Hydraulic Oil G-002-000
Final Drive	
(Differential) .....	Synthetic Transmission Oil G 50
	SAE 75W-90
~~~~~	

FLUID CAPACITIES

FLUID CAPACITIES TABLE

~~~~~	
Application	Quantity (1)

**SCHEDULED SERVICES**

**Article Text (p. 47)**

1993 Volkswagen EuroVan  
For Volkswagen Technical Site  
Copyright © 1998 Mitchell Repair Information Company, LLC  
Saturday, March 18, 2000 10:36PM

A/C R-134a Refrigerant

Front A/C .....	32-35 Ozs.
Front & Rear A/C .....	46-49 Ozs.
Cooling System .....	18.6 Qts (17.5L)
Engine Oil (2)	
1993-94	
2.5L Gasoline .....	4.8 Qts. (4.5L)
1995	
2.4L Diesel .....	6.0 Qts. (5.5L)
2.5L Gasoline .....	6.0 Qts. (5.5L)
Fuel Tank .....	21.1 Gals. (60L)
Automatic Transmission .....	3.2 Qts. (3.0L)

(1) - Capacities are recommended or calculated levels. Always use dipstick (if available) to measure level.

(2) - Includes filter change.

AAAAAAAAAAAAAAAAAAAAAAAAAAAAAAAAAAAAAAAAAAAAAAAAAAAAAAAAAAAAAAAAAAAAAAAA

**END OF ARTICLE**