

# A - ENGINE/VIN ID

## Article Text

1993 Volkswagen EuroVan  
For Volkswagen Technical Site  
Copyright © 1998 Mitchell Repair Information Company, LLC  
Saturday, March 18, 2000 10:19PM

### ARTICLE BEGINNING

1993 ENGINE PERFORMANCE  
Volkswagen Introduction

All Models

### MODEL COVERAGE

#### MODEL COVERAGE TABLE

Model	Body Code	Engine	Engine ID	Fuel System	Ignition System
Cabriolet	15	1.8L 8-Valve	2H	Digifant II MFI (1)	Hall Effect
Corrado SLC	50	2.8L VR6 (2)	AAA	Motronic MFI (3)	Hall Effect
EuroVan	70	2.5L 10-Valve	AAF	Digifant MFI	Hall Effect
Fox	30	1.8L 8-Valve	ABG	Digifant II MFI (1)	Hall Effect
Golf	1H	2.0L 8-Valve	ABA	Motronic MFI (3)	Hall Effect
GTI	1H	2.0L 8-Valve	ABA	Motronic MFI (3)	Hall Effect
Jetta	1H	2.0L 8-Valve	ABA	Motronic MFI (3)	Hall Effect
Passat GL	31	2.0L 16-Valve	9A	CIS-E Motronic	Hall Effect
Passat GLX	31	2.8L VR6 (2)	AAA	Motronic MFI (3)	Hall Effect

(1) - California vehicles are equipped with Digifant I.

(2) - The VR6 is a combination "Vee" and "Rheihenmotor" (German).  
The combination can be roughly described as an "In-Line vee".  
For practical purposes, engine has 6 in-line but slightly staggered cylinders.

(3) - Sequential Multiport Fuel Injection.

### VIN DEFINITION

**A - ENGINE/VIN ID**  
**Article Text (p. 2)**  
 1993 Volkswagen EuroVan  
 For Volkswagen Technical Site  
 Copyright © 1998 Mitchell Repair Information Company, LLC  
 Saturday, March 18, 2000 10:19PM

Numbers preceding the explanations in the legend below refer to the sequence of characters as listed on VIN identification label.

(VIN)      W   V   W   C   B   5   1   5   2   P   C   0   0   0   0   0   1  
             1   2   3   4   5   6   7   8   9   10 11 12 13 14 15 16 17

- 1-3 Indicates Nation of Origin.
- 4 Indicates Series.
- 5 Indicates Engine Type.
- 6 Indicates Restraint System.
- 7-8 Indicates Body Code.
- 9 Indicates Check Digit.
- 10 Indicates Model Year.
- 11 Indicates Assembly Plant.
- 12-17 Indicates Production Sequence.

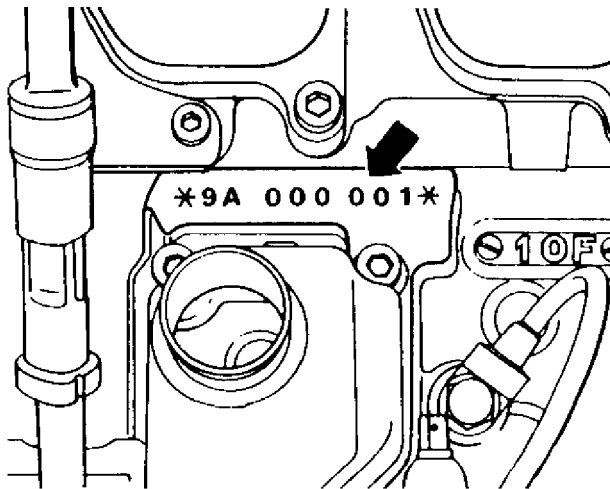
MODEL YEAR VIN CODE APPLICATION TABLE

AAAAAAAAAAAAAAAAAAAAAAAAAAAAAAAAAAAAAAAAAAAAAAAAAAAAAAAAAAAAAAAA

VIN Code	Model Year
L .....	1990
M .....	1991
N .....	1992
P .....	1993

AAAAAAAAAAAAAAAAAAAAAAAAAAAAAAAAAAAAAAAAAAAAAAAAAAAAAAAAAAAAAAAA

**ENGINE CODE LOCATION**



STAMPED ON ENGINE BLOCK,  
 JUST BELOW CYLINDER HEAD.

93B79450  
 Fig. 1: Engine Code Location (4-Cylinder & 5-Cylinder)  
 Courtesy of Volkswagen United States, Inc.

**A - ENGINE/VIN ID**

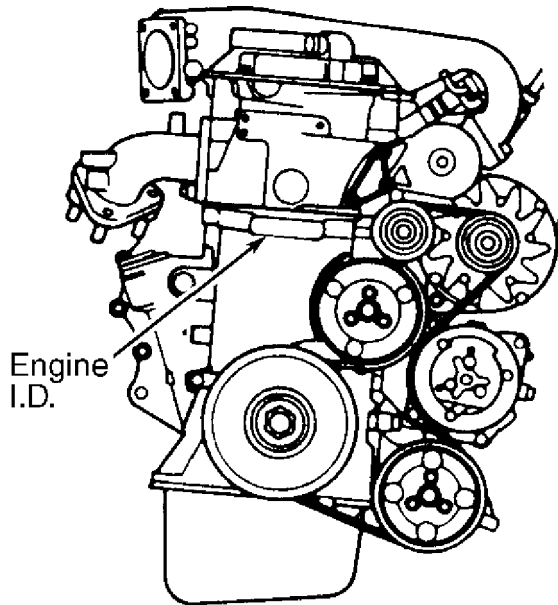
**Article Text (p. 3)**

1993 Volkswagen EuroVan

For Volkswagen Technical Site

Copyright © 1998 Mitchell Repair Information Company, LLC

Saturday, March 18, 2000 10:19PM



STAMPED ON ENGINE BLOCK,  
JUST BELOW CYLINDER HEAD

92D26719

Fig. 2: Engine Code Location (V6)

Courtesy of Volkswagen United States, Inc.

**END OF ARTICLE**