

INSTRUMENT PANEL

Article Text

1993 Volkswagen EuroVan
For Volkswagen Technical Site
Copyright © 1998 Mitchell Repair Information Company, LLC
Saturday, March 18, 2000 10:33PM

ARTICLE BEGINNING

1993 ACCESSORIES & EQUIPMENT
Volkswagen Instrument Panels

Volkswagen; EuroVan, Passat

DESCRIPTION & OPERATION

Instrument cluster for most models includes speedometer, fuel gauge and temperature gauge. Optional instruments include clock, tachometer, voltmeter and oil temperature gauge. See Figs. 3 and 4.

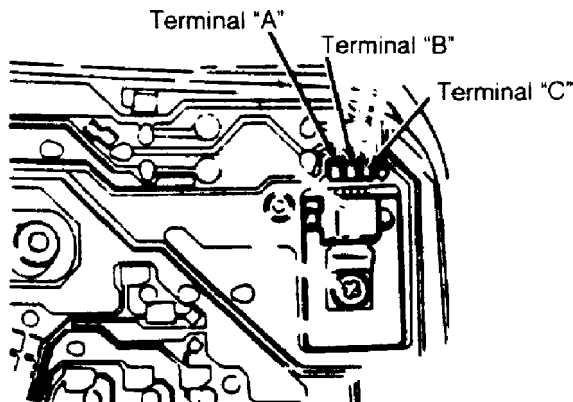
Printed circuit provides voltage to gauges. A voltage regulator attached to printed circuit controls voltage to fuel and temperature gauges. Most warning lights are a Light Emitting Diode (LED). To replace diode, pull from printed circuit socket.

TESTING

VOLTAGE REGULATOR TEST

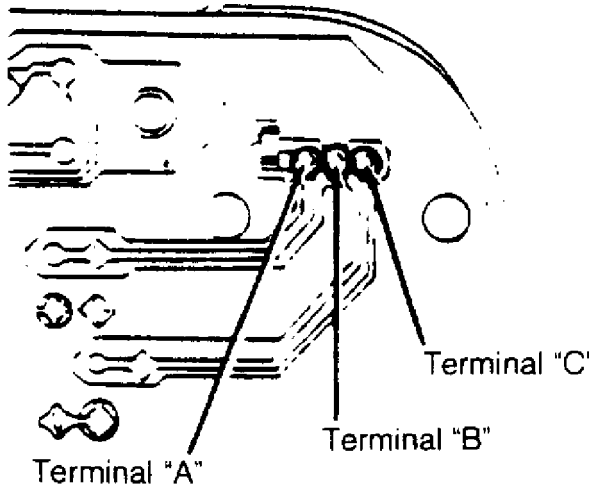
1) If only one gauge is inoperative, regulator is not defective. Remove instrument cluster trim, leaving multi-point connector attached. Remove tachometer/clock. Connect positive (+) lead to terminal "A". See Fig. 1 or 2. Connect voltmeter negative (-) lead to terminal "B". Turn ignition on. If battery voltage is present, go to next step. If battery voltage is not present, repair wiring harness.

2) Turn ignition off. Connect positive (+) lead to terminal "C". See Fig. 1 or 2. Connect voltmeter negative (-) lead to terminal "B". Meter reading should be 9.5-10.5 volts. If voltage is incorrect, replace voltage regulator.



93E82754

Fig. 1: Testing Voltage Regulator (Analog Gauges)
Courtesy of Volkswagen United States, Inc.



93F82755

Fig. 2: Testing Voltage Regulator (Passat With Electronic Gauges)
 Courtesy of Volkswagen United States, Inc.

FUEL & TEMPERATURE GAUGE TEST

NOTE: Volkswagen Tester (VW 1301) is required for resistance tests. Tester settings are numerical. Settings do not indicate resistance in ohms. Manufacturer does not supply resistance values in ohms.

1) Disconnect wire from fuel tank or temperature sending unit. Connect VW Tester (VW 1301) between wire and ground. Turn ignition on and allow 2 minutes for gauge reading to stabilize. Use FUEL GAUGE TESTING or TEMPERATURE GAUGE TESTING table to compare gauge reading. Gauge should be within one pointer width of specification.

2) If gauge needle does not move, check continuity between sender wire and gauge. If needle moves but does not match specifications, replace gauge. If gauge works correctly with tester but not sending unit, replace sending unit.

FUEL GAUGE TESTING (1) TABLE

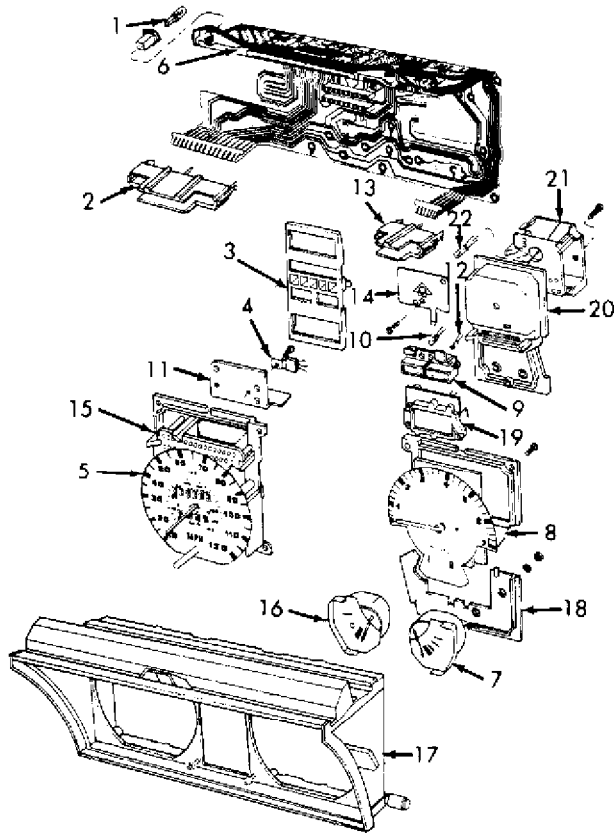
Application	Dial Setting	Indicator
Passat	50	Full

(1) - Information for EuroVan not available from manufacturer.

TEMPERATURE GAUGE TESTING (1) TABLE

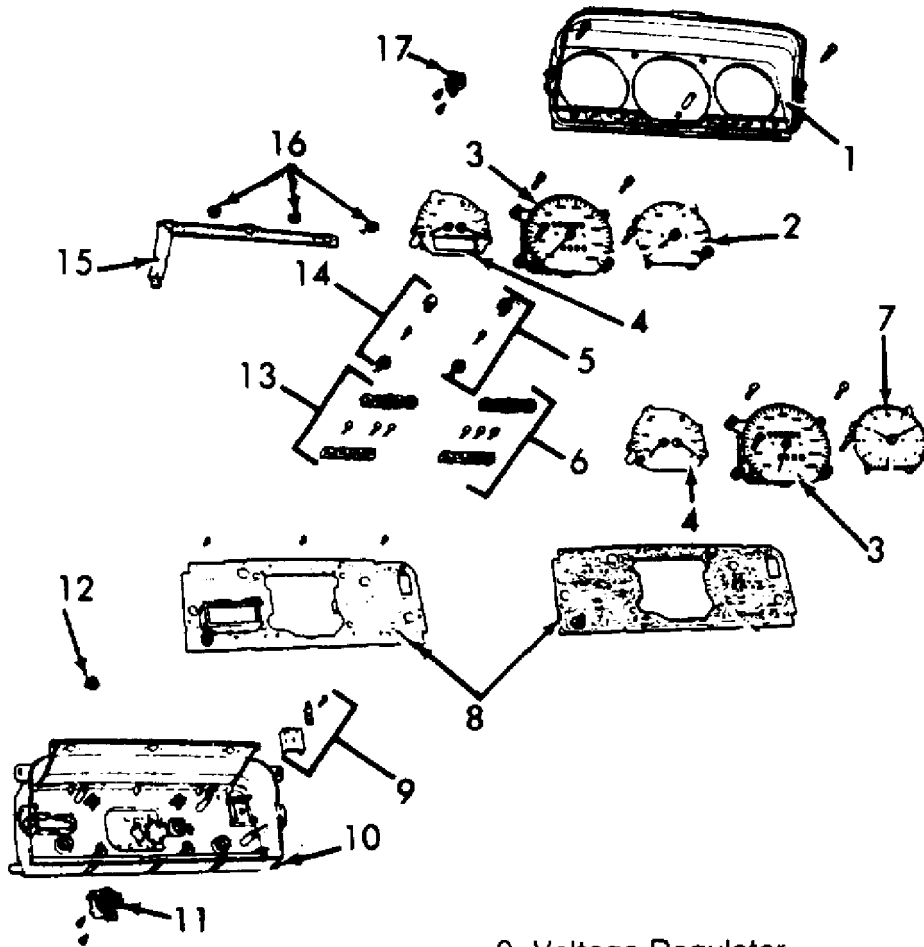
Application	Dial Setting	Indicator
-------------	--------------	-----------

INSTRUMENT PANEL
Article Text (p. 4)
 1993 Volkswagen EuroVan
 For Volkswagen Technical Site
 Copyright © 1998 Mitchell Repair Information Company, LLC
 Saturday, March 18, 2000 10:34PM



- | | |
|-----------------------------------|---|
| 1. Instrument Cluster Light Bulb | 12. Warning LED |
| 2. Wire Terminal Housing | 13. Wire Terminal Housing |
| 3. Trim | 14. Upshift Indicator (If Equipped) |
| 4. Voltage Regulator | 15. Oil Pressure Warning System Control Unit |
| 5. Speedometer | 16. Coolant Temperature Gauge |
| 6. Flexible Printed Circuit | 17. Instrument Cluster Insert |
| 7. Fuel Gauge | 18. Support Plate For Gauges |
| 8. Tachometer | 19. Digital Clock |
| 9. LED Holder | 20. Instrument Cluster Housing Cover |
| 10. LED Indicator Light | 21. Parking Brake/Brake Fluid Level Warning Light Printed Circuit |
| 11. Voltage Regulator Heat Shield | 22. Upshift Indicator LED (If Equipped) |

Fig. 3: Exploded View Of Instrument Cluster (Jetta Is Similar)
 Courtesy of Volkswagen United States, Inc.



- | | |
|-----------------------------|--------------------------------|
| 1. Frame | 9. Voltage Regulator |
| 2. Tachometer | 10. I/C Housing |
| 3. Speedometer | 11. Vehicle Speed Sensor Plate |
| 4. Fuel/Coolant Temp. Gauge | 12. Digital Clock Light |
| 5. Right Indicator Light | 13. Warning/Indicator Light |
| 6. Warning/Indicator Light | 14. Warning/Indicator Light |
| 7. Clock | 15. Printed Circuit Board |
| 8. Printed Circuit Board | 16. Instrument Cluster Light |
| | 17. Vehicle Speed Sensor |

93G82756

Fig. 4: Exploded View Of Instrument Cluster (EuroVan Is Similar)
 Courtesy of Volkswagen United States, Inc.

PRINTED CIRCUIT CONNECTORS

INSTRUMENT PANEL

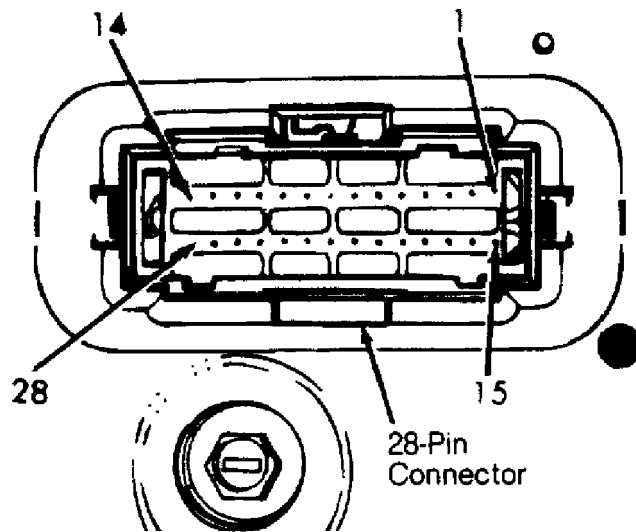
Article Text (p. 6)

1993 Volkswagen EuroVan

For Volkswagen Technical Site

Copyright © 1998 Mitchell Repair Information Company, LLC

Saturday, March 18, 2000 10:34PM



1. Outside Temperature Sensor Ground (If Equipped)
2. To Coolant Low Level Sensor
3. Ground (Terminal No. 31)
4. Multifunction Indicator Memory Reset Switch (If Equipped)
5. Ground (Terminal No. 31)
6. Multifunction Indicator Memory Reset Switch (If Equipped)
7. Vehicle Speed Sensor Signal
8. From Oil Pressure Switch (High Side)
9. From Oil Pressure Switch (Low Side)
10. Tachometer Input Signal (Terminal 1/W)
11. Battery Voltage (Terminal No. 30)
12. Battery Voltage For Instrument Lighting (Terminal 58b)
13. Battery Voltage (Terminal No. 15)
14. (Not Used)
15. To MFI Mode Switch (If Equipped)
16. Alternator Warning Light (Terminal No. 61)
17. From Oil Temperature Sensor (If Equipped)
18. To Seat Belt Warning Light/Brake Warning Light (If Equipped)
19. Outside Temperature Sensor Signal (If Equipped)
20. MIL Or Glow Plug (Diesel Only)
21. Fuel Gauge
22. Left Turn Signal
23. Coolant Temperature Gauge
24. Right Turn Signal
25. High Beam Indicator
26. Fuel Consumption Indicator (If Equipped)
27. Signal From Speedometer Sensor (If Equipped)
28. A/T Selector Display (If Equipped)

93H82757

Fig. 5: Identifying Printed Circuit 28-Pin Connector (Passat)
Courtesy of Volkswagen United States, Inc.

INSTRUMENT PANEL

Article Text (p. 7)

1993 Volkswagen EuroVan

For Volkswagen Technical Site

Copyright © 1998 Mitchell Repair Information Company, LLC

Saturday, March 18, 2000 10:34PM

WIRING DIAGRAMS

See appropriate chassis wiring diagram in WIRING DIAGRAMS.

END OF ARTICLE