

Sliding door

Assembly overview (up to 12.95)

Sliding door, components (from 01.96) ⇒ [Page 58-5](#)

1 - Sliding door

◆ Removing ⇒ [Page 58-10](#)

◆ Adjusting ⇒ [Page 58-20](#)

2 - Rubber buffer

3 - Screw

◆ 19 Nm (14 ft lb)

4 - Lower roller guide assembly

5 - Screw

◆ 19 Nm (14 ft lb)

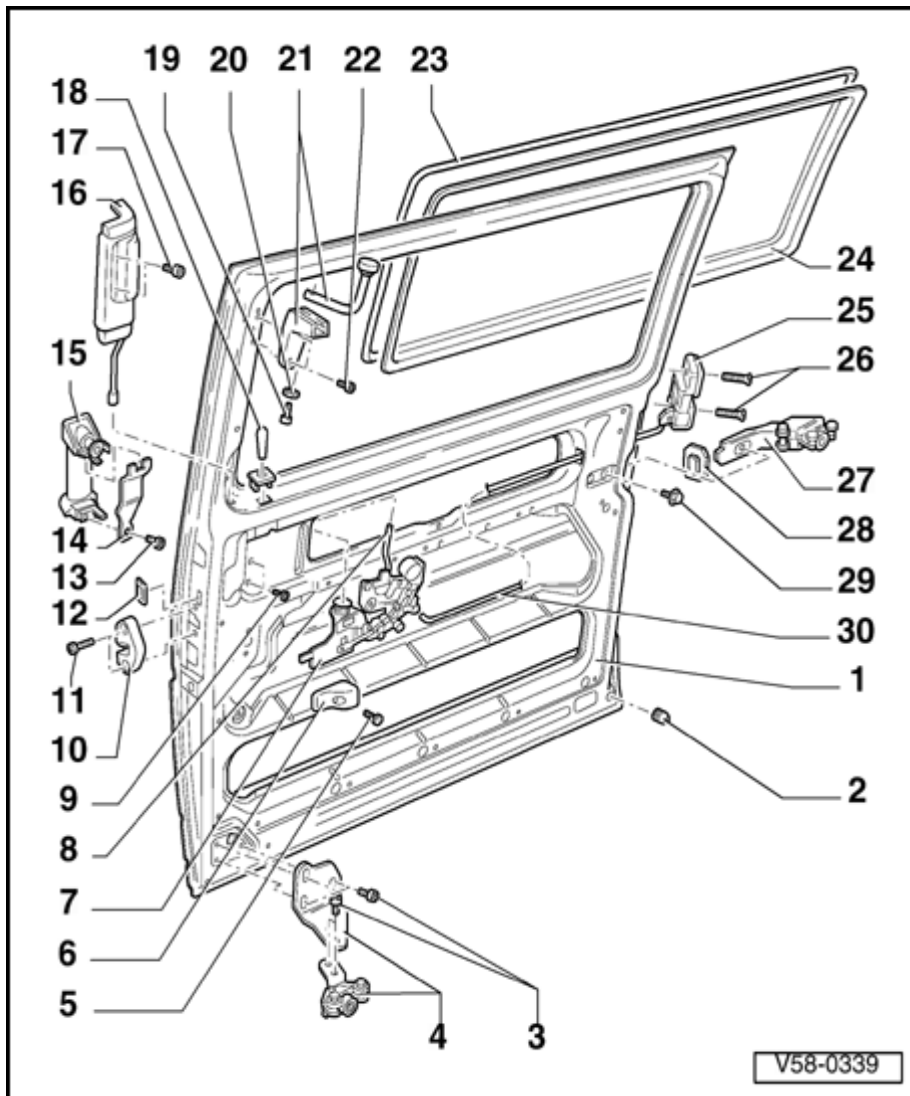
6 - Center stop

7 - Remote control

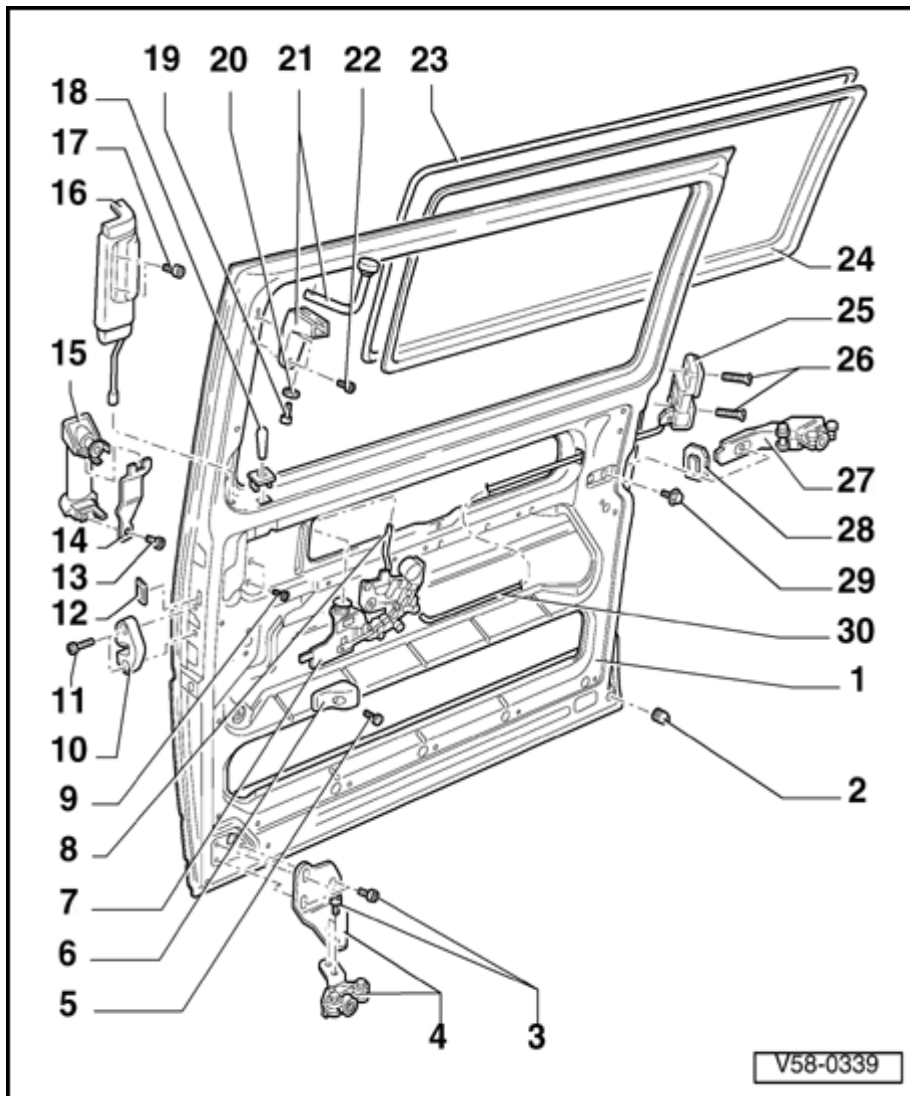
8 - Lock rod

9 - Screw

◆ 8 Nm (71 in. lb)



- 10 - Catch plate**
- 11 - Phillips screw**
 - ◆ 19 Nm (14 ft lb)
- 12 - Trim plate**
- 13 - Screw**
 - ◆ 19 Nm (14 ft lb)
- 14 - Tension spring**
- 15 - Outside door handle**
 - ◆ Removing ⇒ [Page 58-39](#)
- 16 - Inside door handle**
- 17 - Allen screw**
 - ◆ 8 Nm (71 in. lb)
- 18 - Lock knob**
 - ◆ Screwed into pull rod
- 19 - Screw**
 - ◆ 8 Nm (71 in. lb)



20 - Washer

21 - Upper roller guide assembly

22 - Screw

◆ 8 Nm (71 in. lb)

23 - Window frames

◆ Destroyed during removal

24 - Sliding door window

◆ Flush-bonded window ⇒ [Page 64-7](#)

◆ Sliding window, repairing ⇒ [Page 64-31](#)

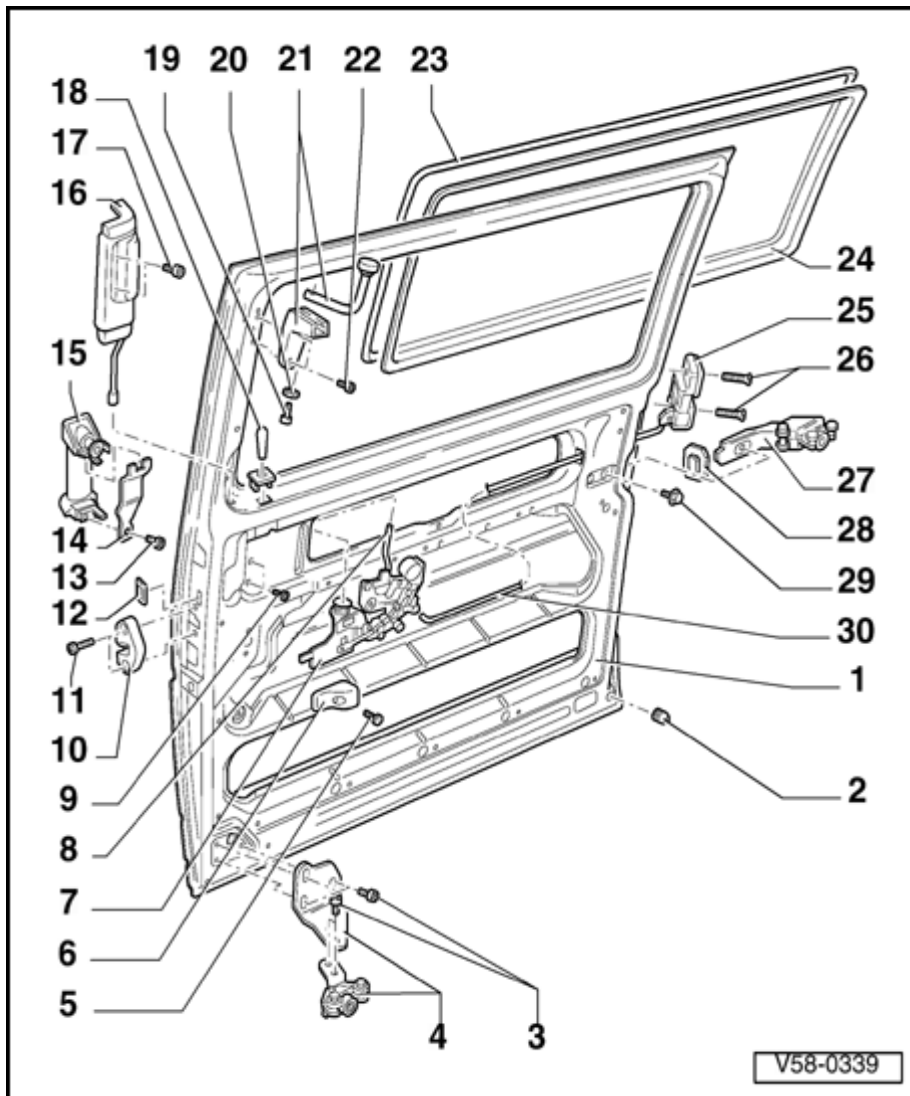
25 - Rotary switch

◆ Removing ⇒ [Page 58-38](#)

26 - Screw

◆ 19 Nm (14 ft lb)

27 - Hinge link



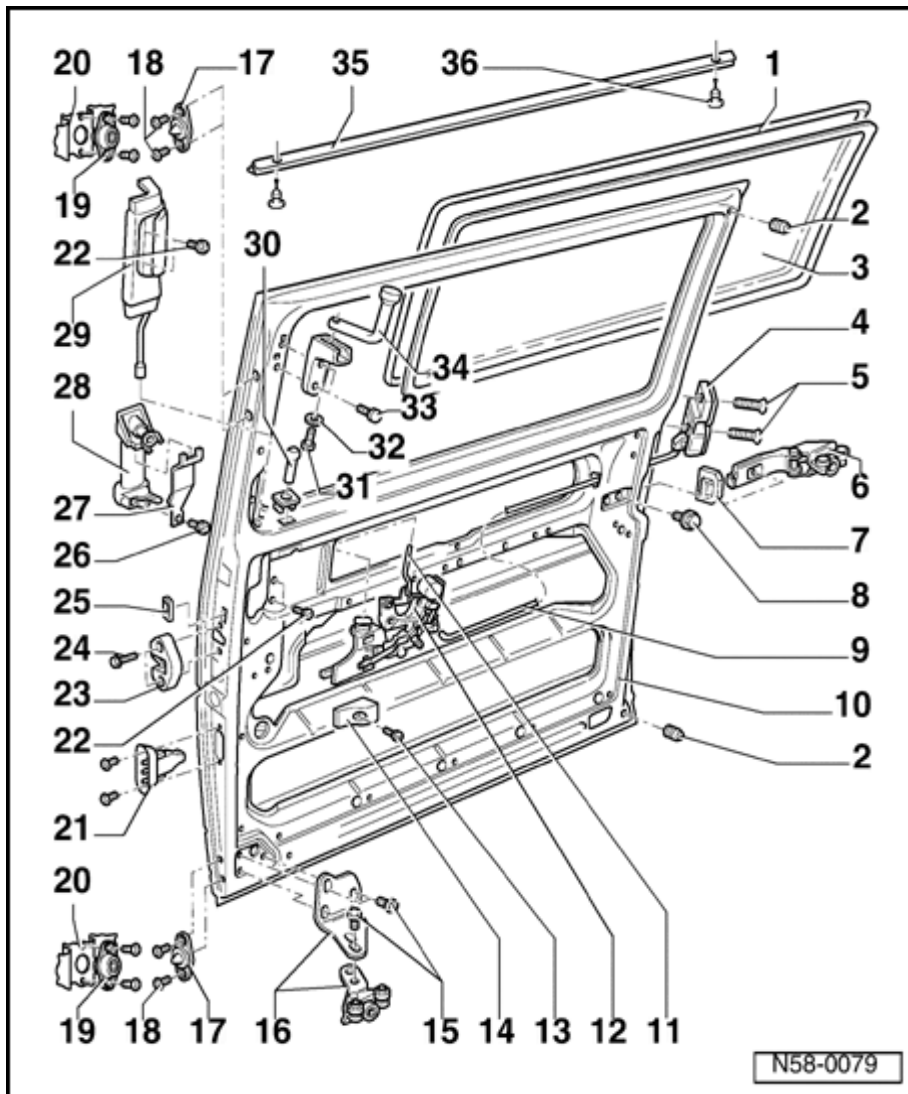
28 - Seal

29 - Bolt w/washer

◆ 54 Nm (40 ft lb)

30 - Pull rod

◆ Connects remote lock to rotary catch



Assembly overview (from 01.96)

Sliding door, components (up to 12.95) ⇒ [Page 58-1](#)

1 - Window frame

- ◆ Destroyed during removal

2 - Rubber buffer

3 - Sliding door window

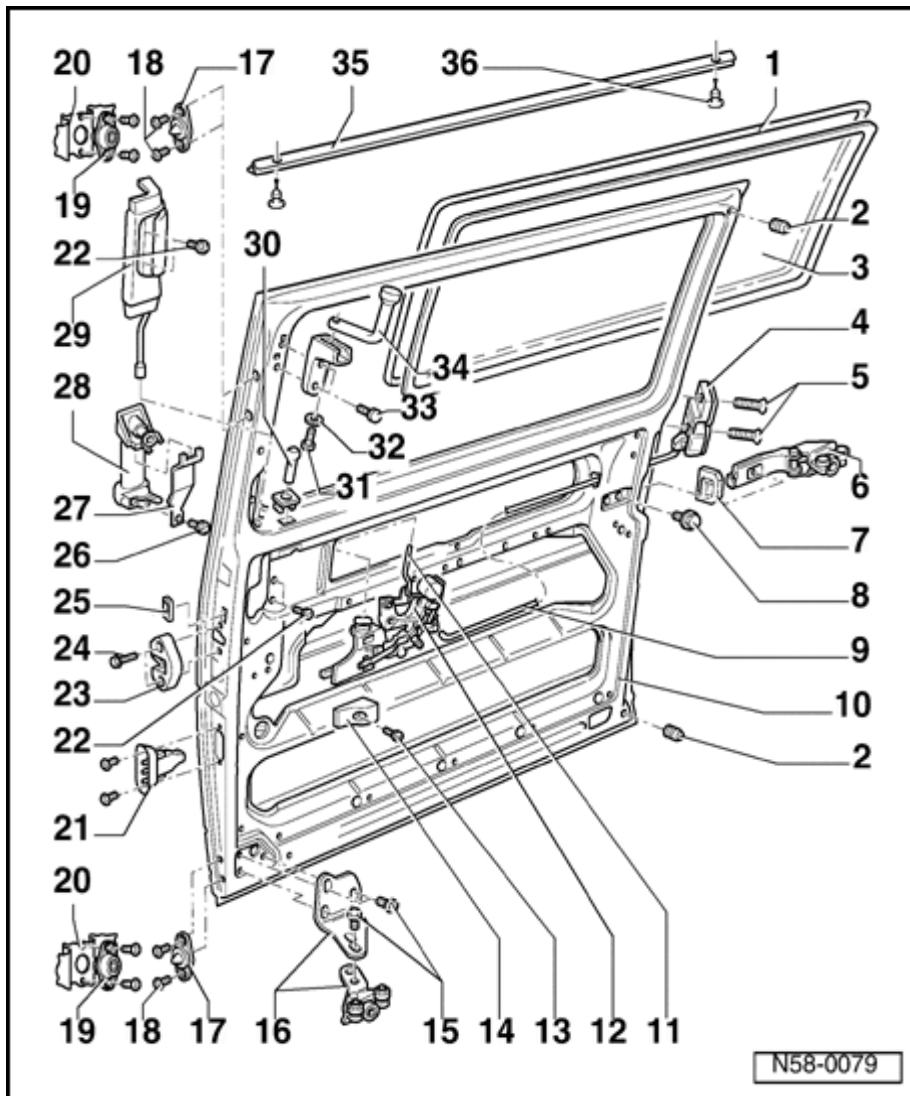
- ◆ Flush bonded window: removing and installing ⇒ [Page 64-7](#)
- ◆ Special equipment, sliding window: repairing ⇒ [Page 64-31](#)

4 - Central lock

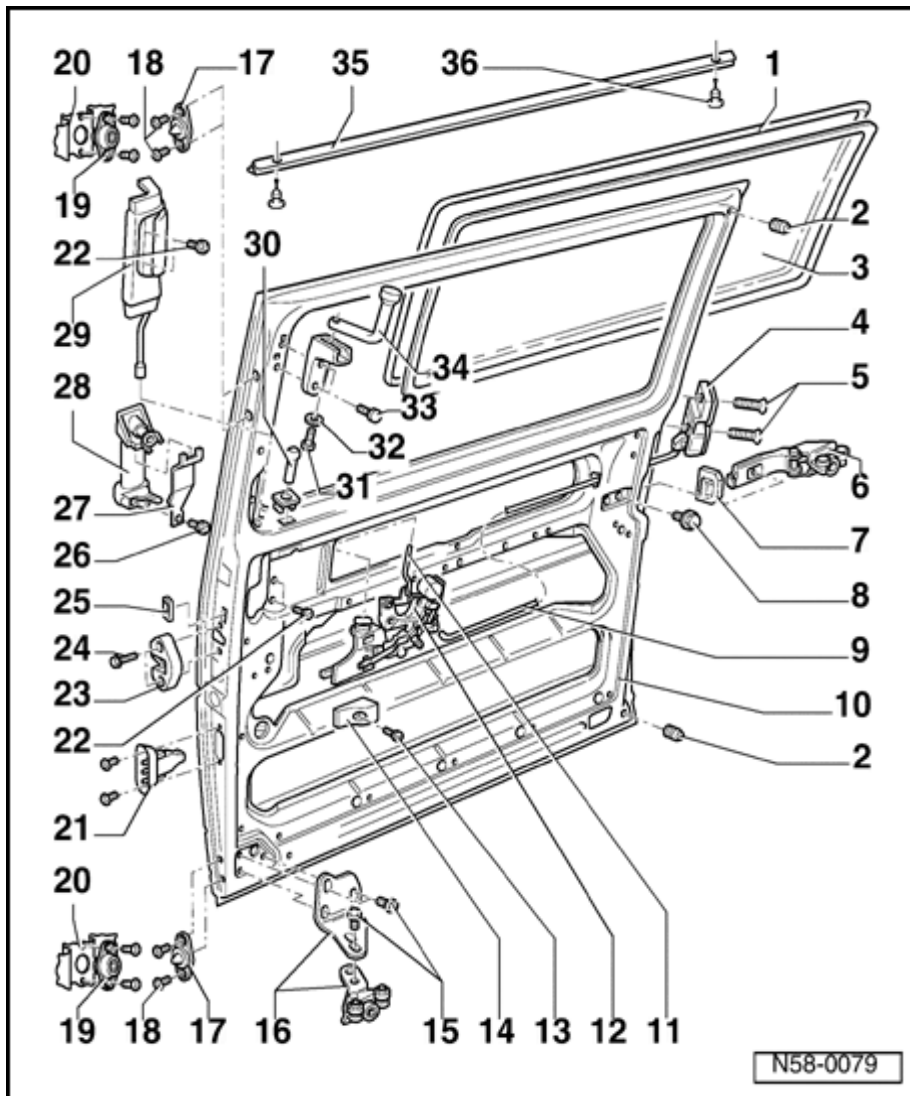
- ◆ Removing ⇒ [Page 58-38](#)

5 - Screw

- ◆ 19 Nm (14 ft lb)



- 6 - Hinge link**
- 7 - Seal**
- 8 - Screw and washer assembly**
 - ◆ 54 Nm (40 ft lb)
- 9 - Pull rod**
 - ◆ Connects remote control lock to central lock
- 10 - Sliding door**
 - ◆ Removing ⇒ [Page 58-10](#)
 - ◆ Adjusting ⇒ [Page 58-25](#)
- 11 - Lock rod**
- 12 - Remote control**
- 13 - Screw**
 - ◆ 19 Nm (14 ft lb)
- 14 - Center stop**



15 - Screw

◆ 19 Nm (14 ft lb)

16 - Lower roller guide assembly

17 - Latch pin

◆ Adjusting ⇒ [Page 58-31](#)

18 - Screw

◆ 19 Nm (14 ft lb)

19 - Striker

20 - B pillar

21 - Right rear door contact switch (sliding door) -F7-

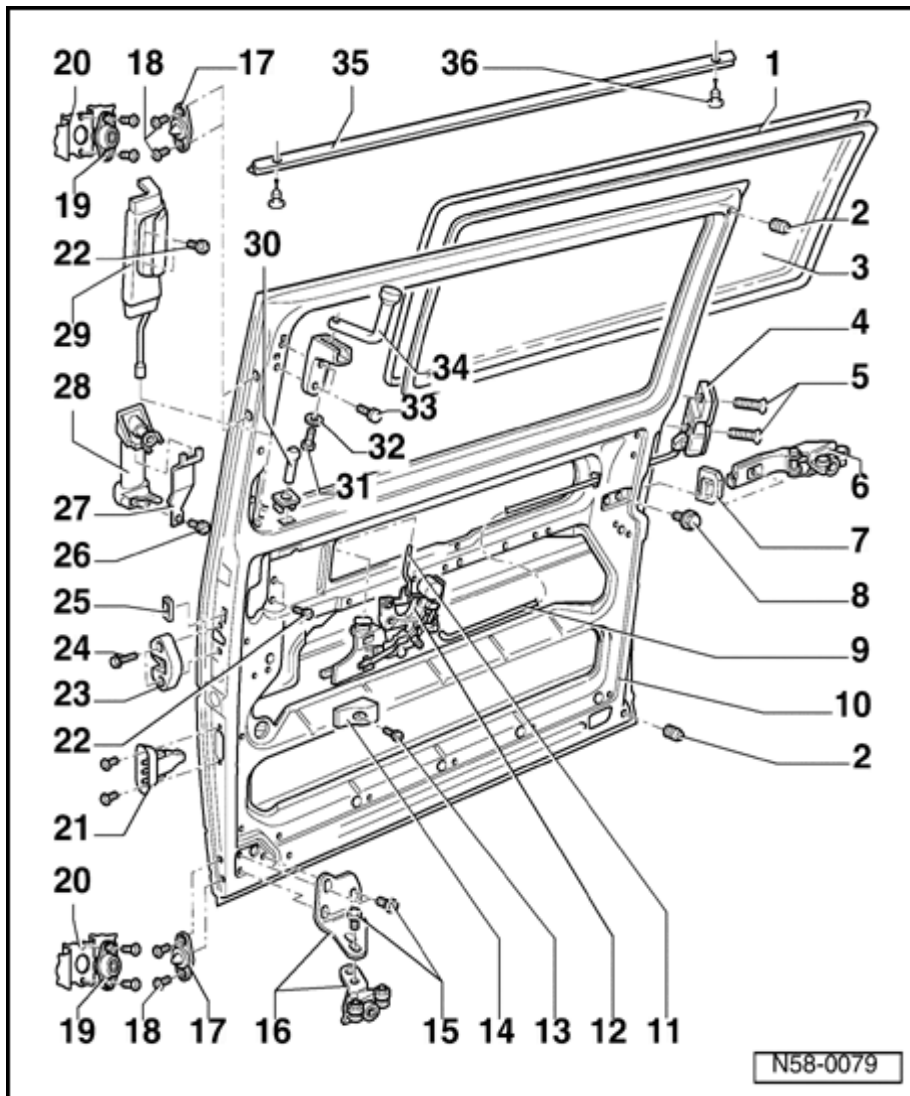
22 - Recessed screw

◆ 8 Nm (71 in. lb)

23 - Striker

24 - Screw

◆ 19 Nm (14 ft lb)



25 - Trim plate

26 - Screw

◆ 19 Nm (14 ft lb)

27 - Tensioning spring

28 - Outside door handle

◆ Removing ⇒ [Page 58-39](#)

29 - Inside door handle

30 - Lock knob

◆ Screwed onto pull rod

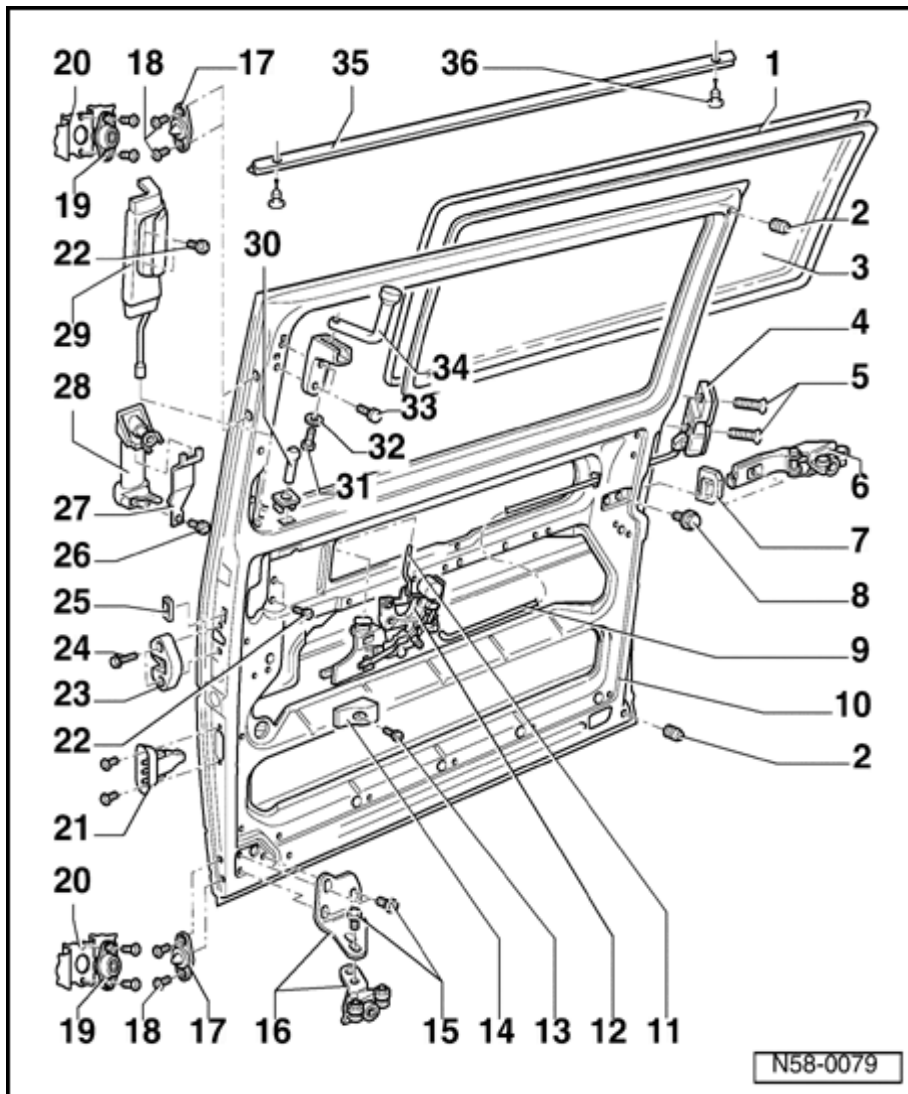
31 - Recessed screw

◆ 12 Nm (9 ft lb)

32 - Washer

33 - Recessed screw

◆ 12 Nm (9 ft lb)



34 - Upper roller guide assembly

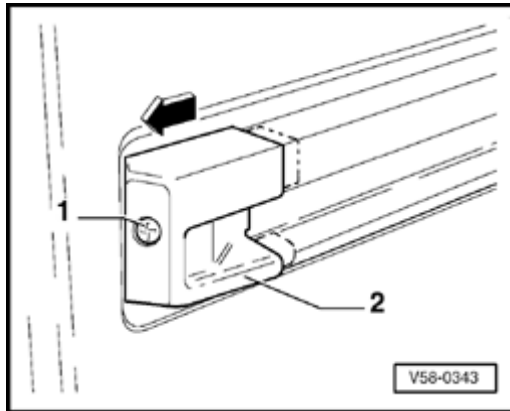
35 - Profile seal

◆ Clipped and glued

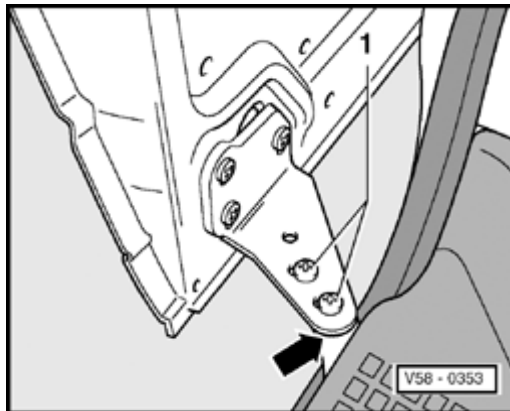
36 - Clip



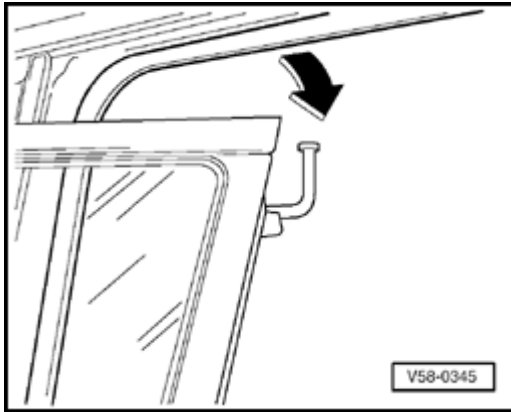
Sliding door, removing

**A**

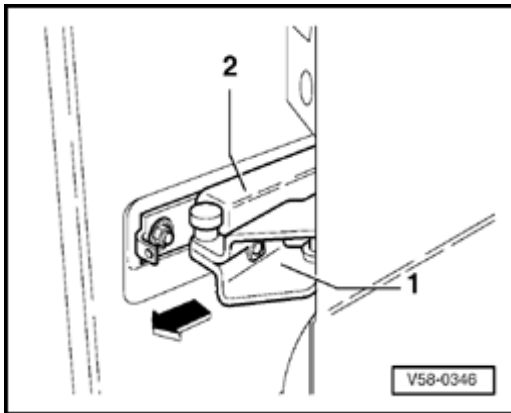
- Remove Phillips screw -1-, pull end piece -2- off guide rail.

**A**

- Mark position of lower roller guide.
- Remove Phillips screws -1-.



- A - Lower sliding door at front until upper roller guide can be removed from guide rail.



- A - With second technician, guide sliding door back -arrow- until hinge link -1- is out of guide rail -2-.