

Front bumper

Assembly overview (up to 12.95)

Front bumper, removing and installing (from 01.96) (long front end) ⇒ [Page 63-2](#)

Front bumper, removing and installing (from 01.96) (short front end) ⇒ [Page 63-4](#)

1 - Cover

2 - Bolt w/washer

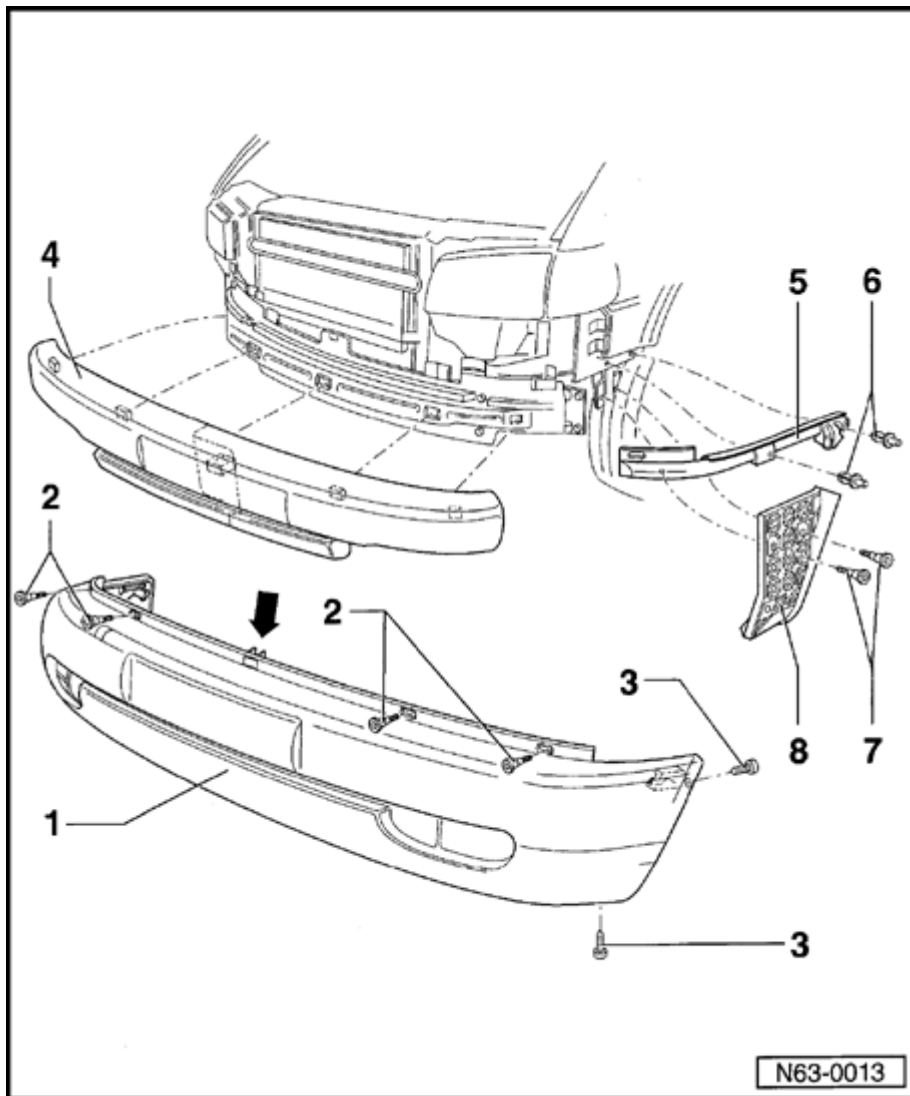
- ◆ 10 Nm (7 ft lb)

3 - Front bumper

- ◆ Removing: Pull/drive pins -4- out and pull bumper parallel out of guides -5-
- ◆ Installing: Slide bumper parallel onto guides -5-, secure by driving in pins -4- flush

4 - Pin

5 - Guide



Front bumper, removing and installing (from 01.96) (long front end)

Front bumper, removing and installing (from 01.96) (short front end) ⇒ [Page 63-4](#)

Front bumper, removing and installing (up to 12.95) ⇒ [Page 63-1](#)

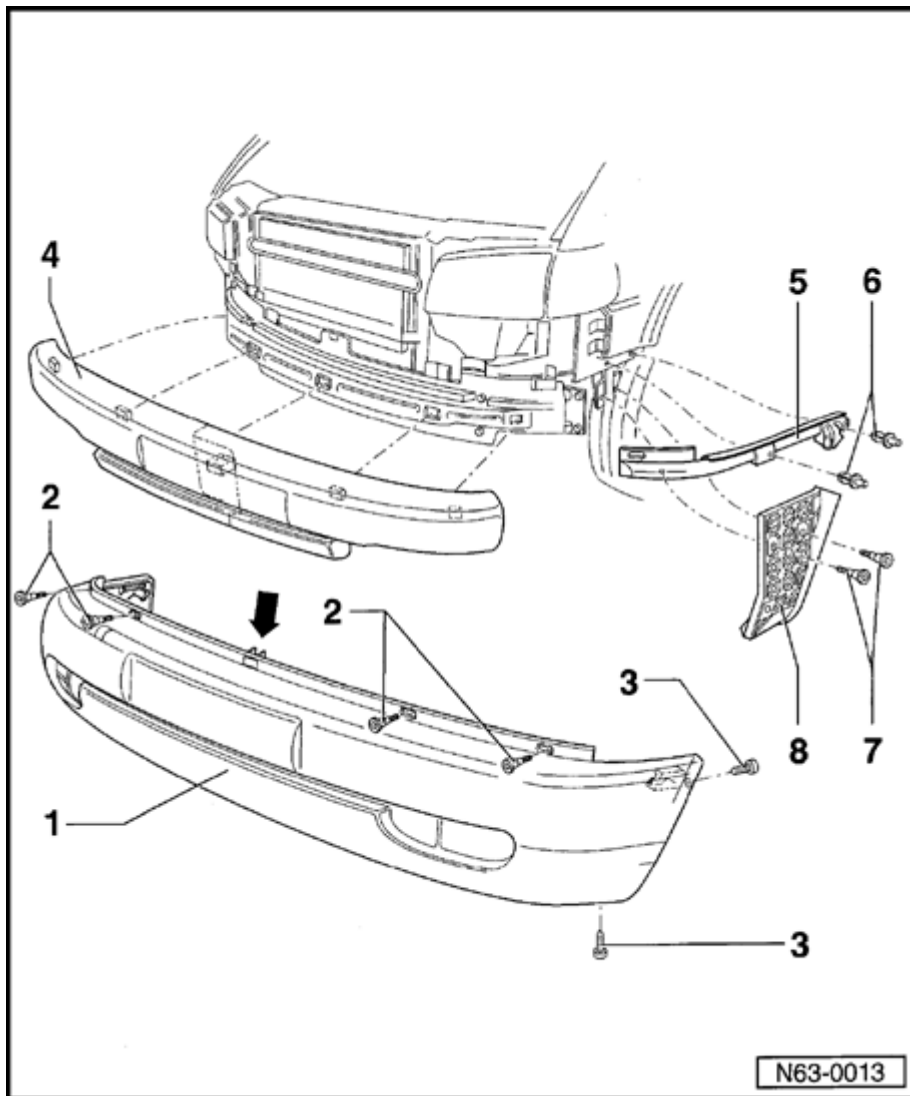
1 - Cover

- Remove radiator grille with trim frame ⇒ page 66-2.
- Remove torx screws -2- and -3-.
- Pull cover forward out of guides.

◆ Note center faster (arrow)

2 - Torx screw T 30 (4x)

◆ 6 Nm (53 in. lb)

**3 - Torx screw T25 (2x)**

- ◆ 1.2 Nm (11 in. lb)

4 - Bumper beam

- ◆ Disconnect right side then left

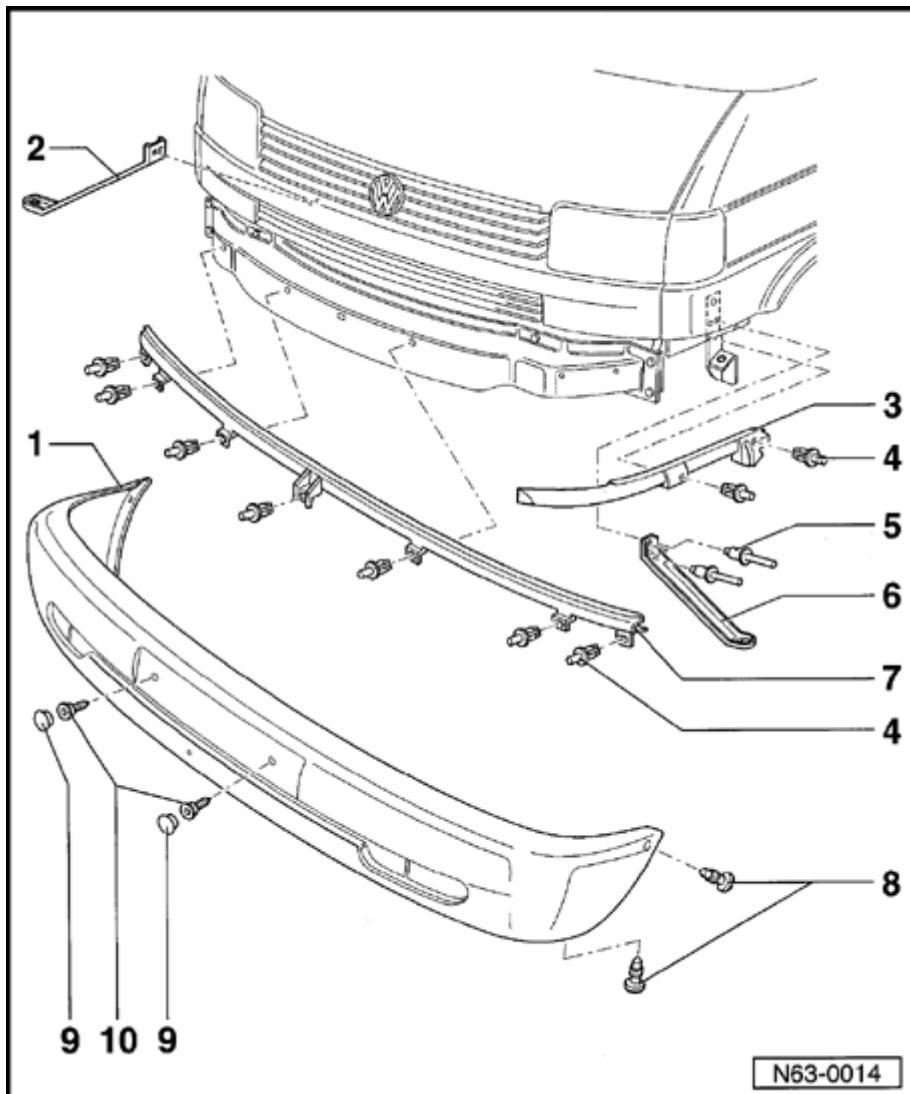
5 - Guide bracket

- ◆ To remove/install bumper beam, push/pull beam straight (parallel) out of guide bracket

6 - Rivet**7 - Hex screw (4x)**

- ◆ 1.5 Nm (13 in. lb)

8 - Cover bracket



**Front bumper, removing and installing (from 01.96)
(short front end)**

Front bumper, removing and installing (up to 12.95) ⇒ [Page 63-1](#)

Front bumper, removing and installing (from 01.96) (long front end) ⇒ [Page 63-2](#)

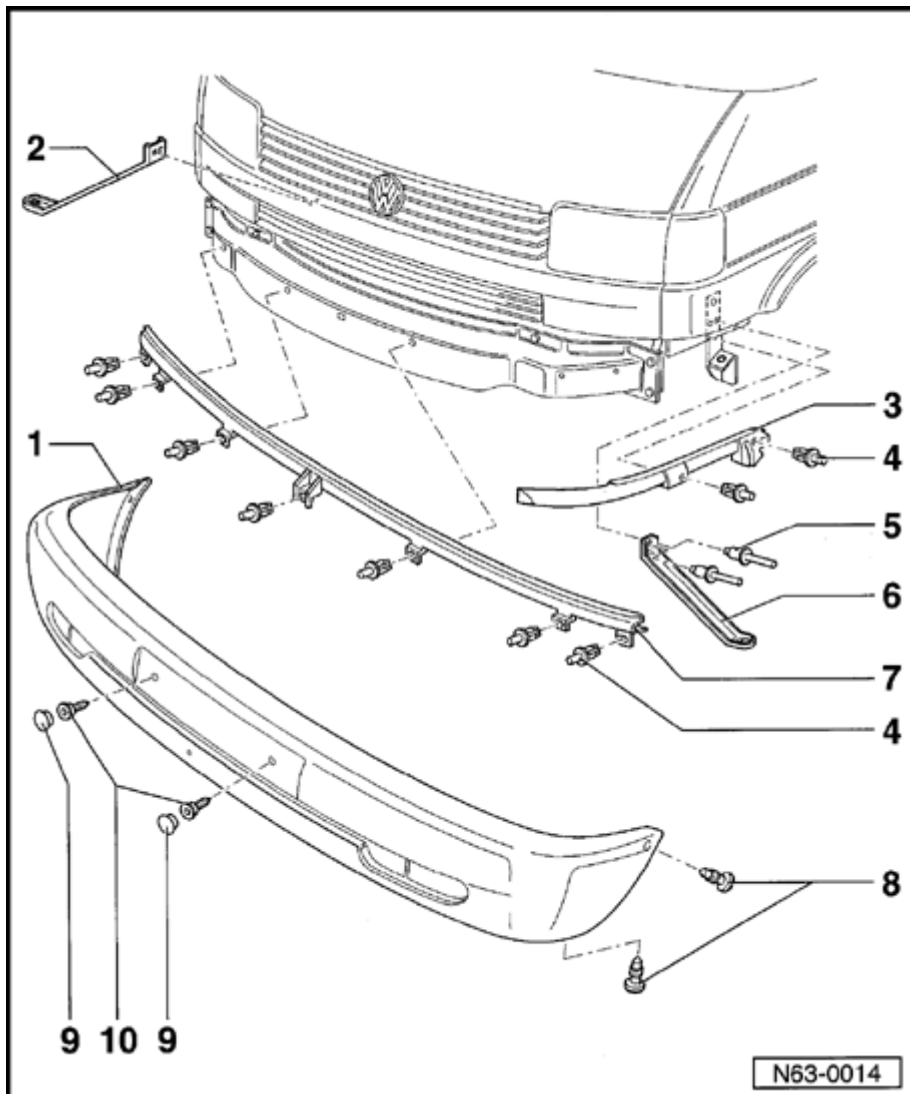
1 - Cover

◆ Material - PP/EPDM

◆ Removing

- Pry out caps -9-, remove combination hex screw and washer assemblies -10-, Torx screws -8-

2 - Bumper bracket



3 - Bumper guide bracket

- ◆ To remove/install bumper beam, push/pull beam straight (parallel) out of guide bracket

4 - Rivet

5 - Blind rivet

6 - Bumper bracket

7 - Cover guide bracket

8 - Torx screw T25 (2x)

- ◆ 1.2 Nm (11 in. lb)

9 - Cap, hex screw

10 - Screw / washer assembly

- ◆ 6.5 Nm (58 in. lb)