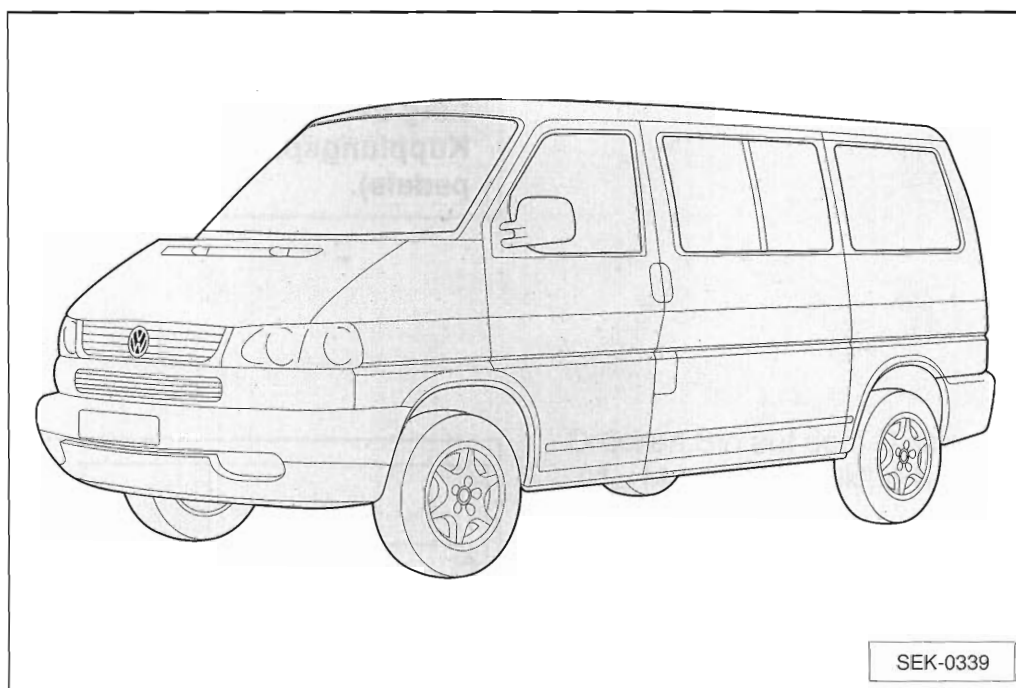


Installation instructions for retrofitting a cruise control regulator in the Transporter T4 TDI from model year 1996 on>

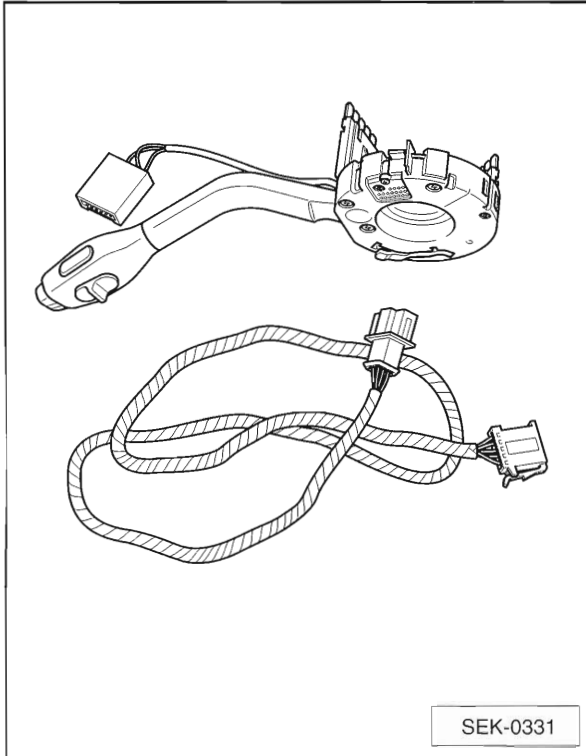
ET no. 7D0 998 527



Note:

Due to the safety regulations which apply to the handling of airbag components, this retrofit can only be installed by partner dealerships of Volkswagen AG. Coding in the engine control unit is also required. These activities should be carried out only in a partner dealership of Volkswagen AG.

VW no. 7D0 012 175



Contents of the service kit:

- 1 steering column switch
(directional indicator switch with switch for CCS)
- 1 wiring harness for CCS
- 1 installation description

Special tools, workshop equipment, test and measuring equipment and accessories required

- Repair Manual, Body Installation Work, Interior.
- Repair Manual, Electrical System.
- Folder "Current Flow Diagrams, Electrical Fault Finding and Fitting Locations"
- V.A.G 1332 Torque spanner (40 -200 Nm)
- VAS 5051/B Vehicle Diagnostic System, Measurement and Information System, or
- VAS 5052 Vehicle Diagnostic and Service Information System, or
- VAS 5053 Vehicle Diagnostic System
- VAS 1978 Wiring Harness Repair Set

Proceed as follows:

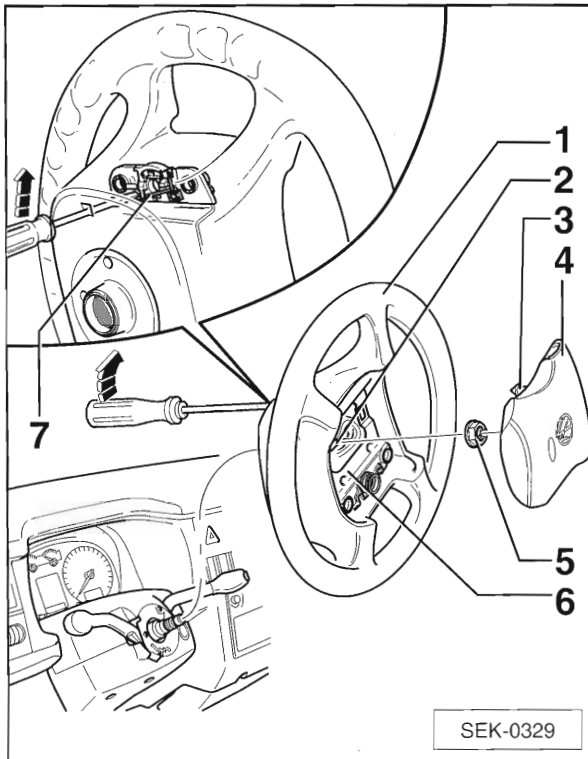
- First, disconnect the battery ground cable.

Notes:

- *Please obtain the radio code before disconnecting the battery.*
- *For the following steps, it is essential that you follow the repair manual Body Installation Work, Interior in Chapter 69.*

Important!

Work on the airbag system may be carried out only by trained specialists. The relevant safety requirements must be observed, see Safety Notes on the Airbag in the Repair Manual (Chapter 69).



- Turn the steering wheel **-1-** until the spoke of the steering wheel is vertical.

- Insert an approx. 175 mm long screwdriver into the hole in the steering wheel retainer from the rear (insert screwdriver about 45 mm).

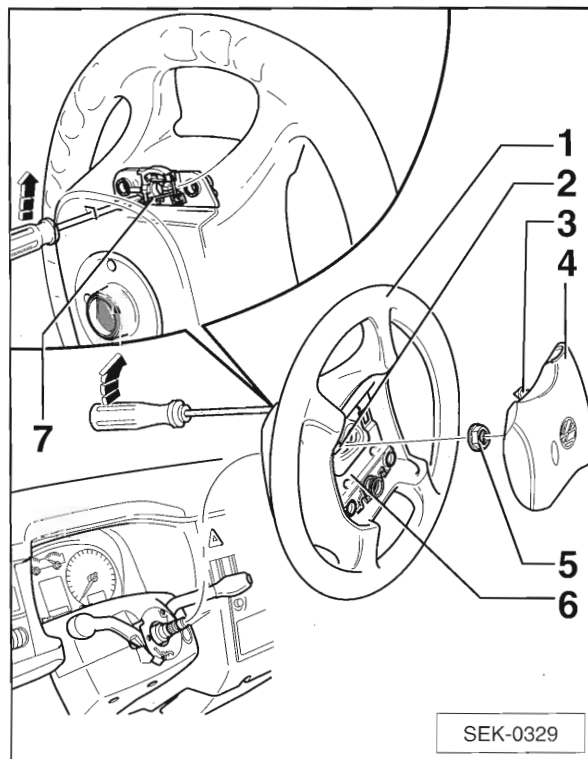
- Push the screwdriver upwards **-arrow-**. This pushes the securing clamp **-7-** backwards and releases the snap hook **-3-** from the airbag **-4-**.

- Turn the steering wheel **-1-** 180° and unlock the second securing clamp on the opposite side.

- Disconnect the plug connection **-2-** on the airbag unit and set the airbag aside carefully.

- Turn the steering wheel **-1-** to the centre position (wheels are pointed straight ahead).

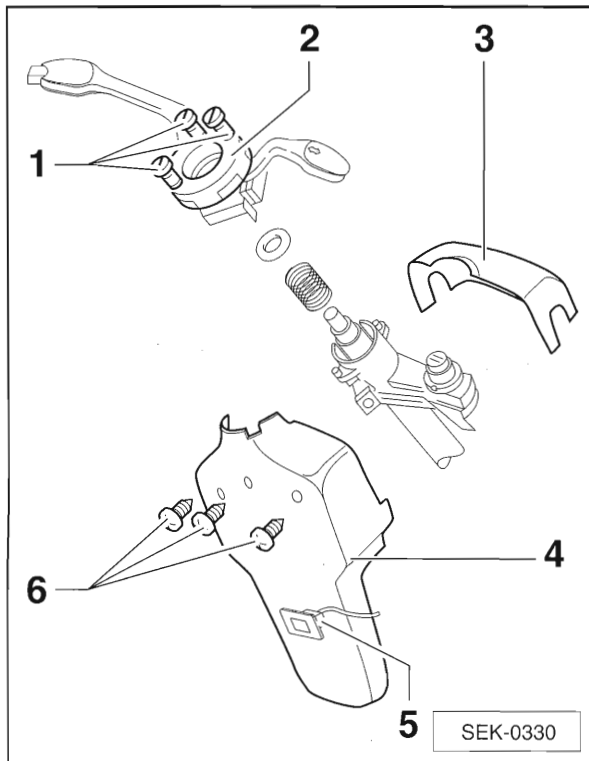
- Remove the attachment screw/nut **-5-**.



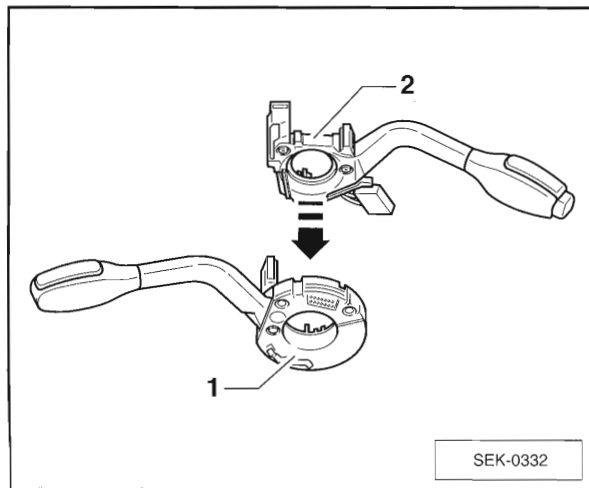
The further removal of the steering wheel depends on the vehicle's equipment (vehicles with and without ESP). Refer to the work steps in Repair Manual, Body Installation Work, Interior (Chapter 69).

Note:

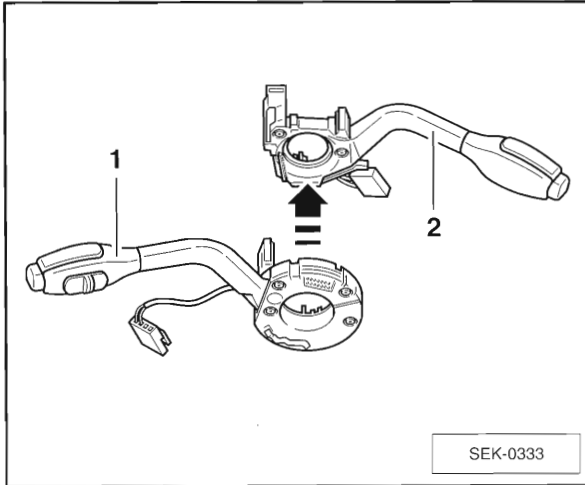
The reset ring with slip ring **-F138-** must not be rotated out of the centre position (secure with adhesive tape if necessary).



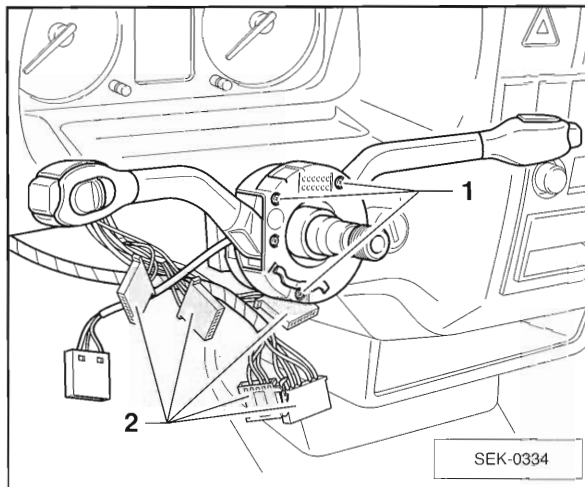
- Remove the three attachment screws **-6-** and remove the lower part of the steering column sheathing **-4-** from the catch.
- Remove the self-diagnosis connector **-5-** from the lower part of the steering column sheathing.
- Remove the upper part of the steering column sheathing **-3-**.
- Remove that attachment screws **-1-** and pull the steering column switch **-2-** forwards slightly.
- Disconnect all of the plug connections to the steering column switch.
- Remove the steering column switch.



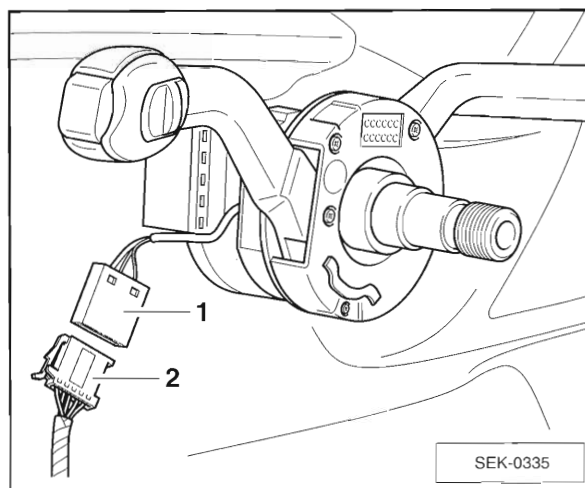
- Pull the existing directional indicator **-1-** in **-arrow direction-** from the windshield wiper switch **-2-**.



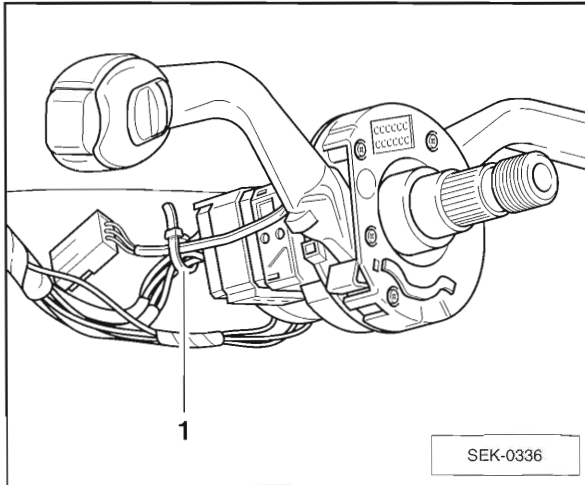
- Replace the directional indicator switch using the directional indicator switch with CCS contained in the service kit.
- Push the directional indicator switch **-1-** with CSS in **-arrow direction-** firmly into the connector of the windshield wiper switch **-2-**.



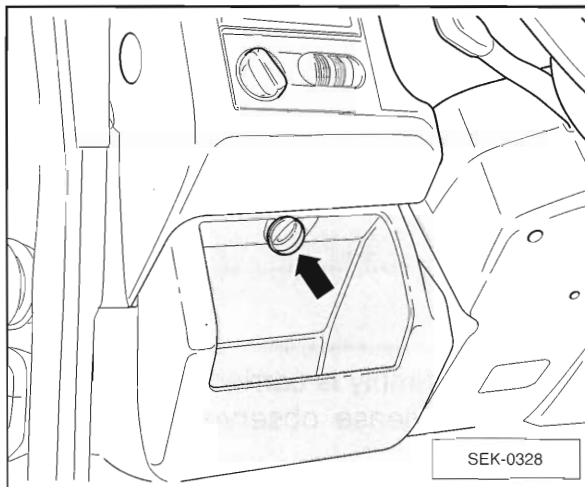
- Install the steering column switch onto the steering column.
- Tighten the three attachment screws **-1-** on the steering column switch hand tight.
- Re-attach all plug connections **-2-** to the steering column switch.



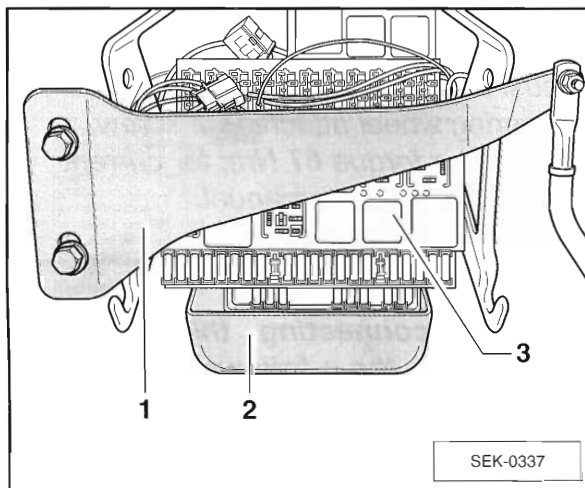
- Connect the connector housing of the directional indicator switch with CSS **-1-** to the plug **-2-** of the wiring harness contained in the service kit.



- Secure the new wiring harness with a cable connector **-1-**, as shown in the illustration.
- Lay the CSS wiring harness into the footwell near the fuse box/relay plate.



- Turn the locking button **-arrow-** of the cover for the relay plate (driver's side) anti-clockwise.
- Open the cover for the relay plate and unclip it from the dash panel trim.

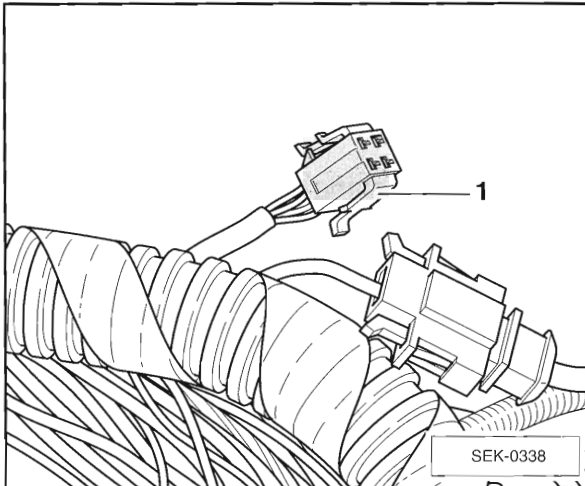


Note:

*Removal of the reinforcing plate **-1-** is not always required for removing the relay **-3-**, but it makes it more easily accessible.*

- Remove the stiffening plate **-1-**.
- Remove the lower trim/cover of the multi-fuse adapter **-2-** in the footwell.

- Loosen the securing clamp to the left and right of the relay plate.
- Push the left retaining clamp outward until the anti-twist device on the relay plate is pulled out.
- Pull the relay plate out of the retaining clamps.
- Uncover the existing black **4-way** plug **-1-** (T4f) behind the relay plate.
- Connect the black 4-way plug **-1-** (T4f) to the **4-way** connector housing of the CSS wiring harness.



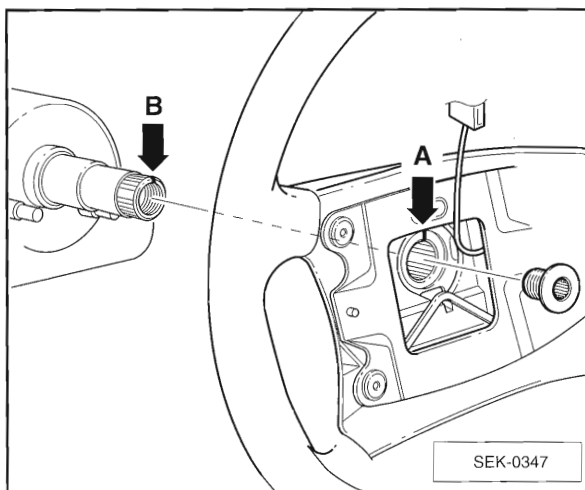
Note:

Secure loose wiring harnesses with appropriate cable clips.

Further assembly is carried out in reverse sequence. Please observe the following notes:

Notes:

- If present, the markings **-A-** and **-B-** on the steering column and steering wheel must be in alignment.
- Steering wheel attachment screw: tightening torque 67 Nm; for current values, see repair manual.



Important!

Before connecting the battery, observe the following safety regulations:

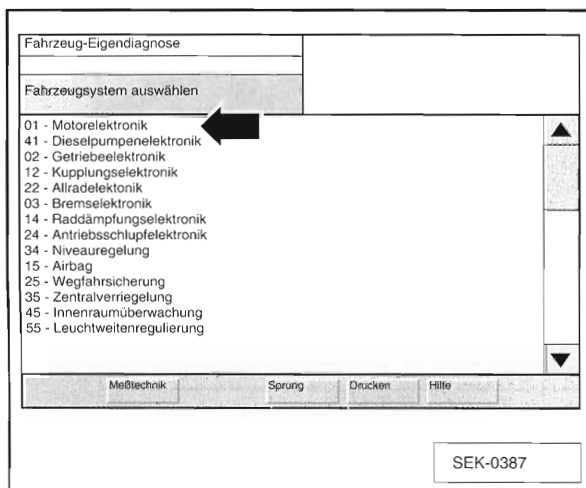
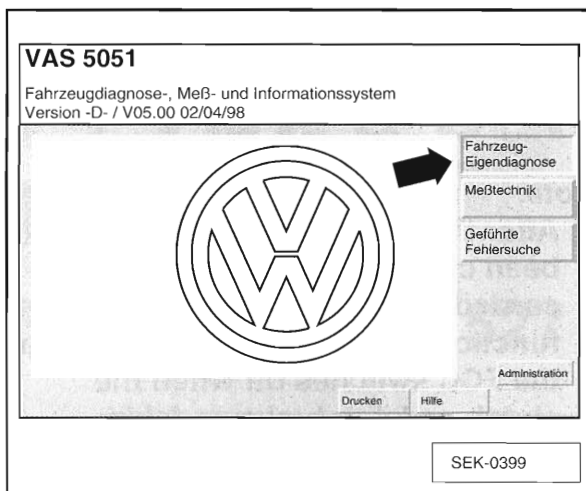
- There must be no persons in the vehicle
- Switch on ignition
- Close doors
- Connect battery

Activating the cruise control system with VAS 5051/B:

-Before activating the cruise control system, interrogate the CCS error log.

-Connect tester VAS 5051/B to diagnostic connection with cable VAS 5051/3 and switch on tester VAS 5051/B.

-Press the button for "Vehicle Self-Diagnosis" **-arrow-** on the display.



- Press the display "01 - Engine electronics" **-arrow-**.

- The control unit version and the coding are shown in the upper-right part of the display.

- If "GOOSG" is displayed, then the cruise control system is activated.

- If "OOOOSG" is displayed, then the cruise control system is not activated.

Fahrzeug-Eigendiagnose	01 - Motorelektronik 038906018AP
Diagnosefunktion auswählen	1,9l R4 EDC G000SG 2124 Codierung 2 Betriebsnummer 66
02 - Fehlerspeicher abfragen 03 - Stellglieddiagnose 04 - Grundeinstellung 05 - Fehlerspeicher löschen 06 - Ausgabe beenden 07 - Steuergerät codieren 08 - Meßwertblock lesen 09 - einzelnen Meßwert lesen 10 - Anpassung 11 - Login-Prozedur ← 15 - Readinesscode	
← Meßtechnik Sprung Drücken Hilfe	
SEK-0388	

- Press the display
“11 - Login - procedure” **-arrow-**.

- Enter the code number **-11463-** using the numeric keypad in order to activate the cruise control system.

- Acknowledge with the “**Q**” button on the numeric keypad.

- Press the display
“06 - End output”.

Note:

After the engine control unit has been coded, a test drive must be carried out to check that the CCS is functioning properly (e.g. check that the FCC switches off when the clutch pedal or brake pedal is pressed).