

SYSTEM WIRING DIAGRAMS

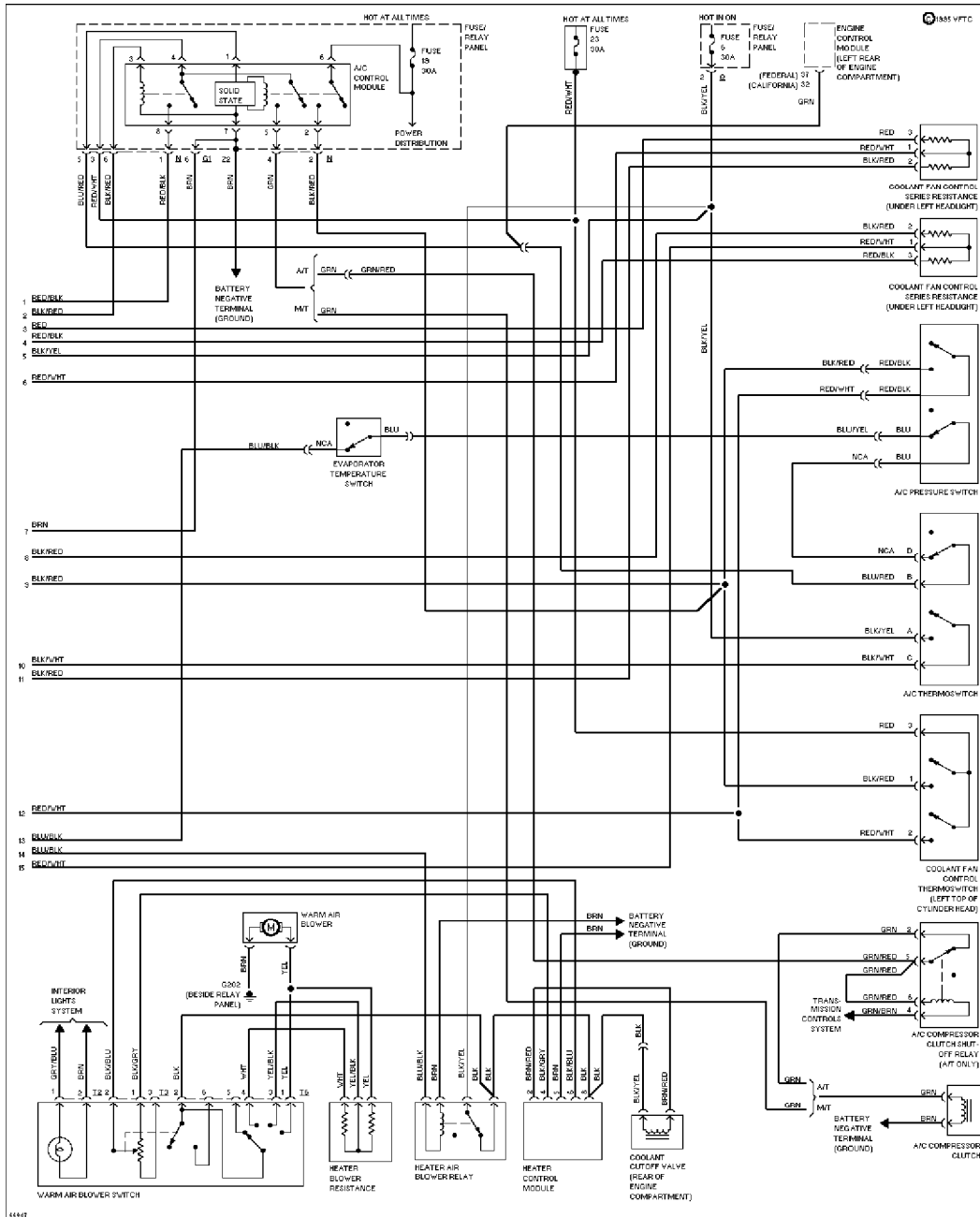
Article Text (p. 2)

1993 Volkswagen EuroVan

For Volkswagen Technical Site

Copyright © 1998 Mitchell Repair Information Company, LLC

Saturday, March 18, 2000 10:38PM



Air Conditioning Circuits (2 of 2)

SYSTEM WIRING DIAGRAMS

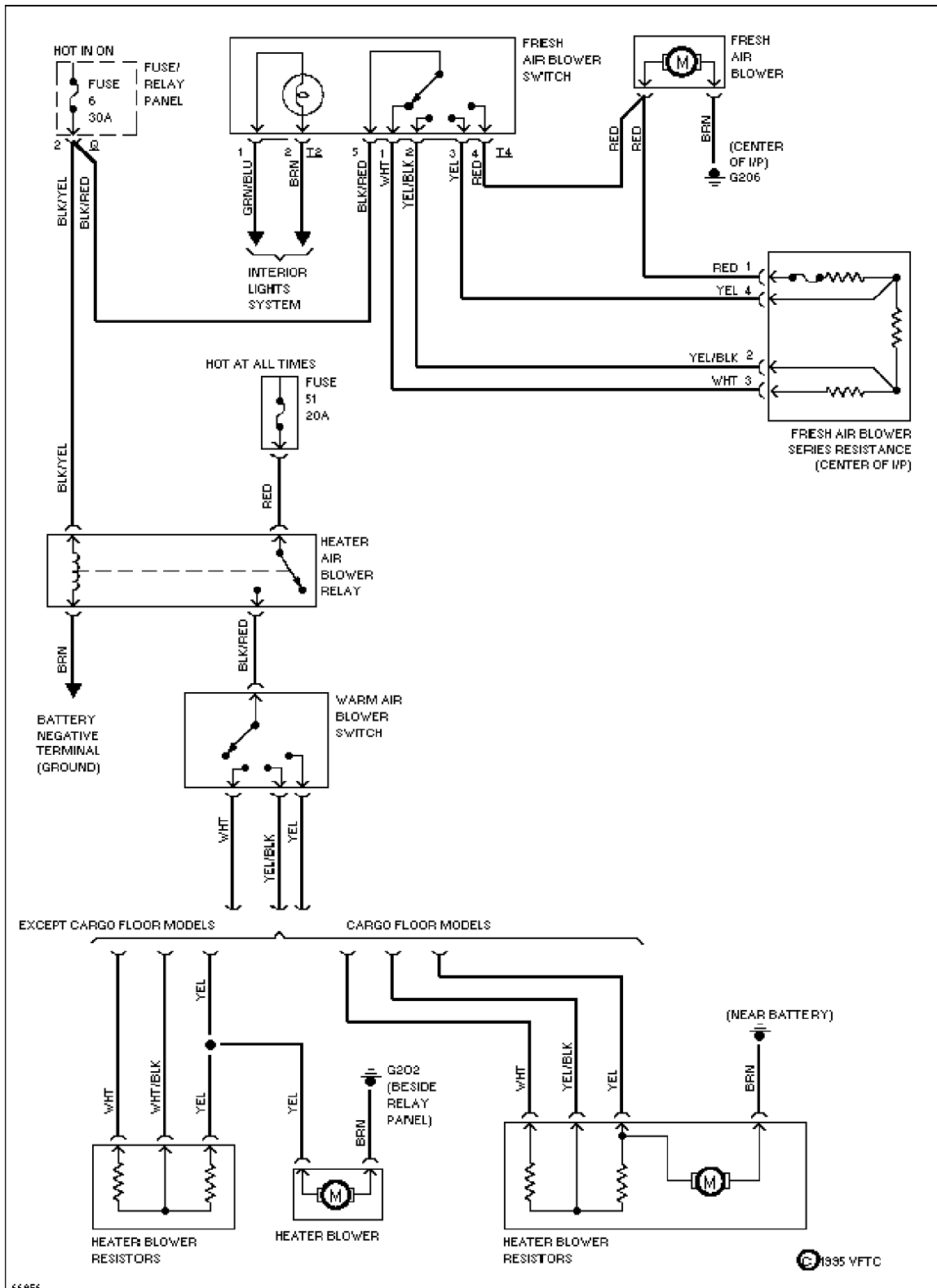
Article Text (p. 3)

1993 Volkswagen EuroVan

For Volkswagen Technical Site

Copyright © 1998 Mitchell Repair Information Company, LLC

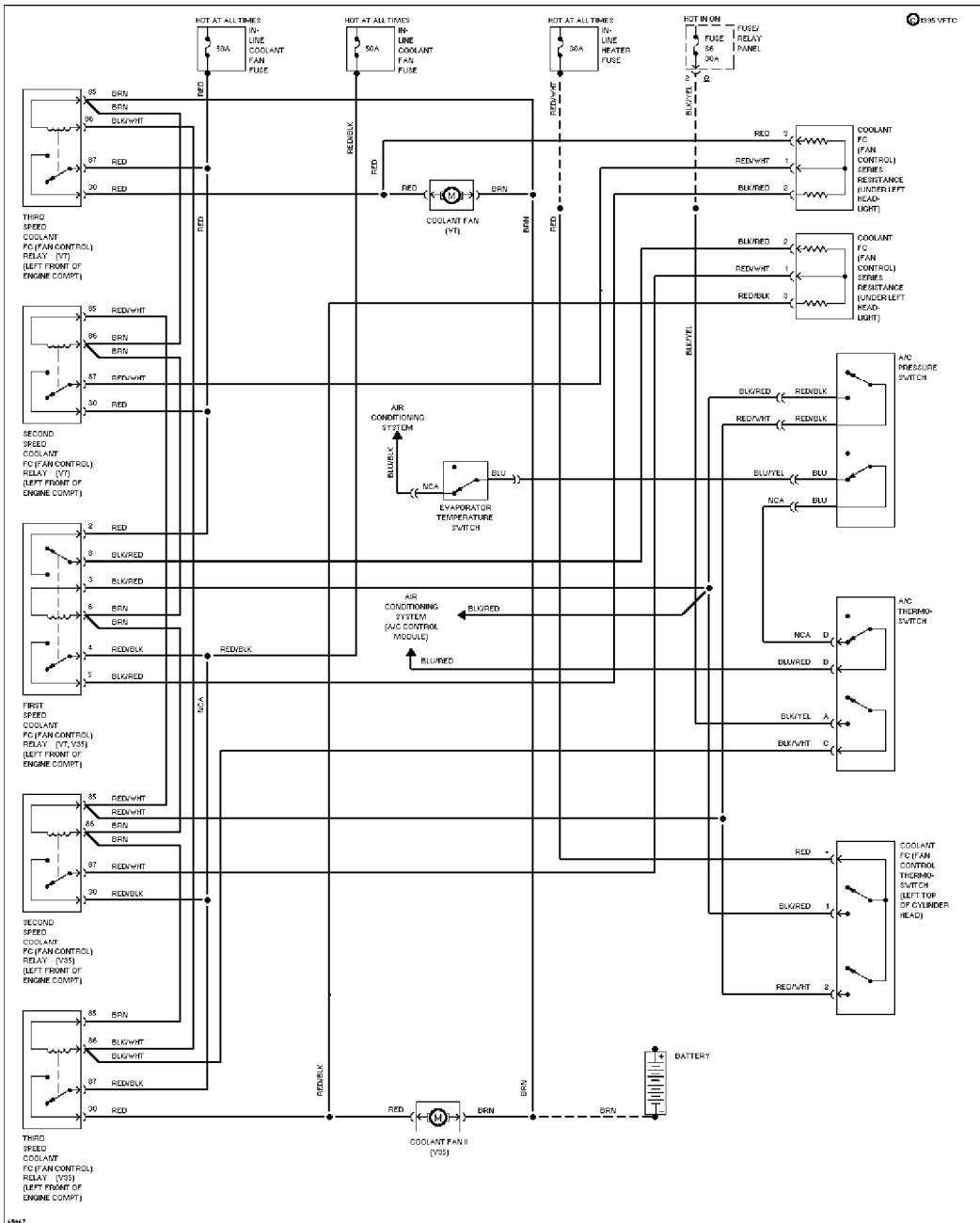
Saturday, March 18, 2000 10:38PM



Heater Circuit

SYSTEM WIRING DIAGRAMS
Article Text (p. 4)
 1993 Volkswagen EuroVan
 For Volkswagen Technical Site
 Copyright © 1998 Mitchell Repair Information Company, LLC
 Saturday, March 18, 2000 10:38PM

COOLING FAN



Cooling Fan Circuit, W/ A/C

SYSTEM WIRING DIAGRAMS

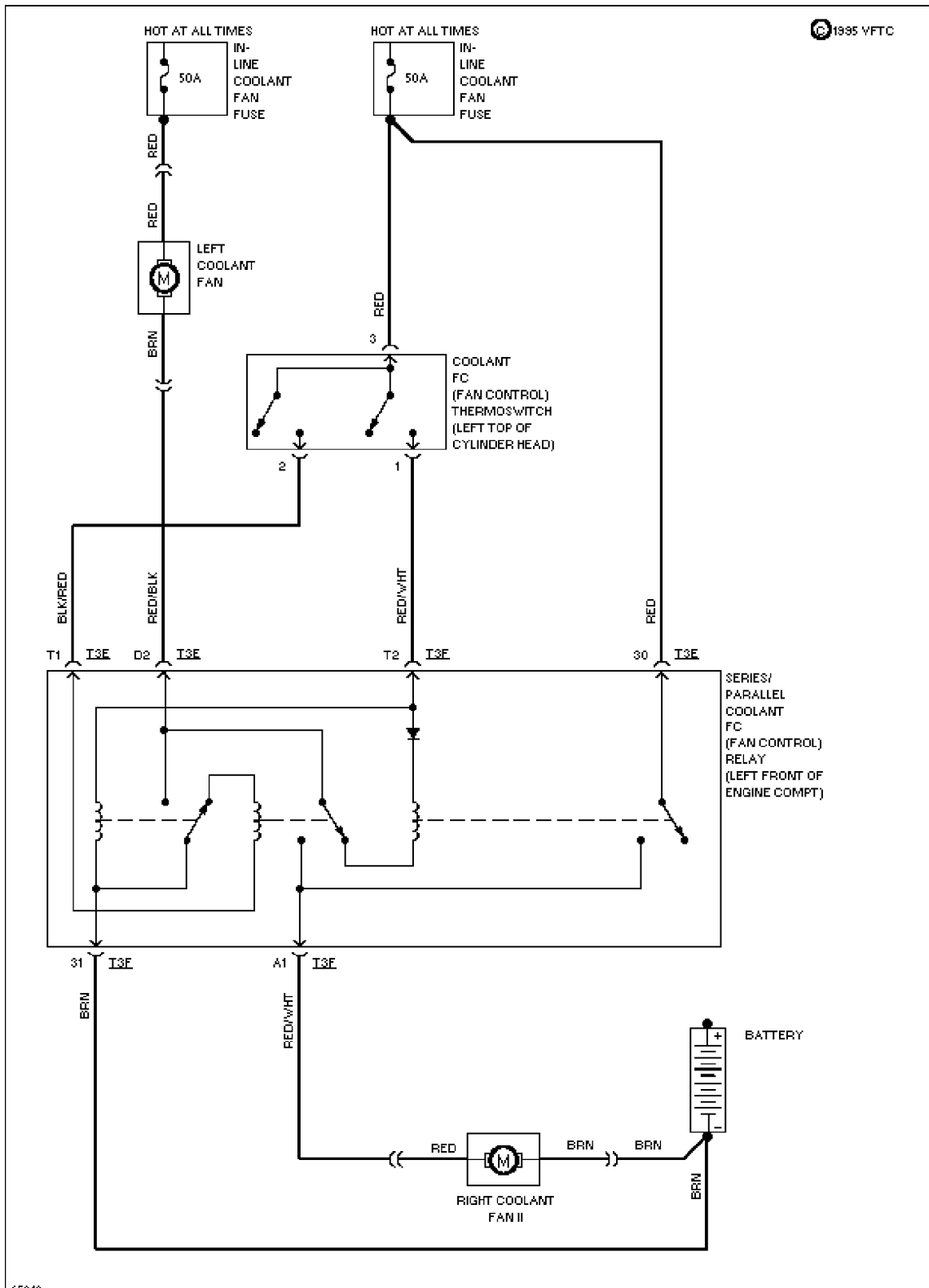
Article Text (p. 5)

1993 Volkswagen EuroVan

For Volkswagen Technical Site

Copyright © 1998 Mitchell Repair Information Company, LLC

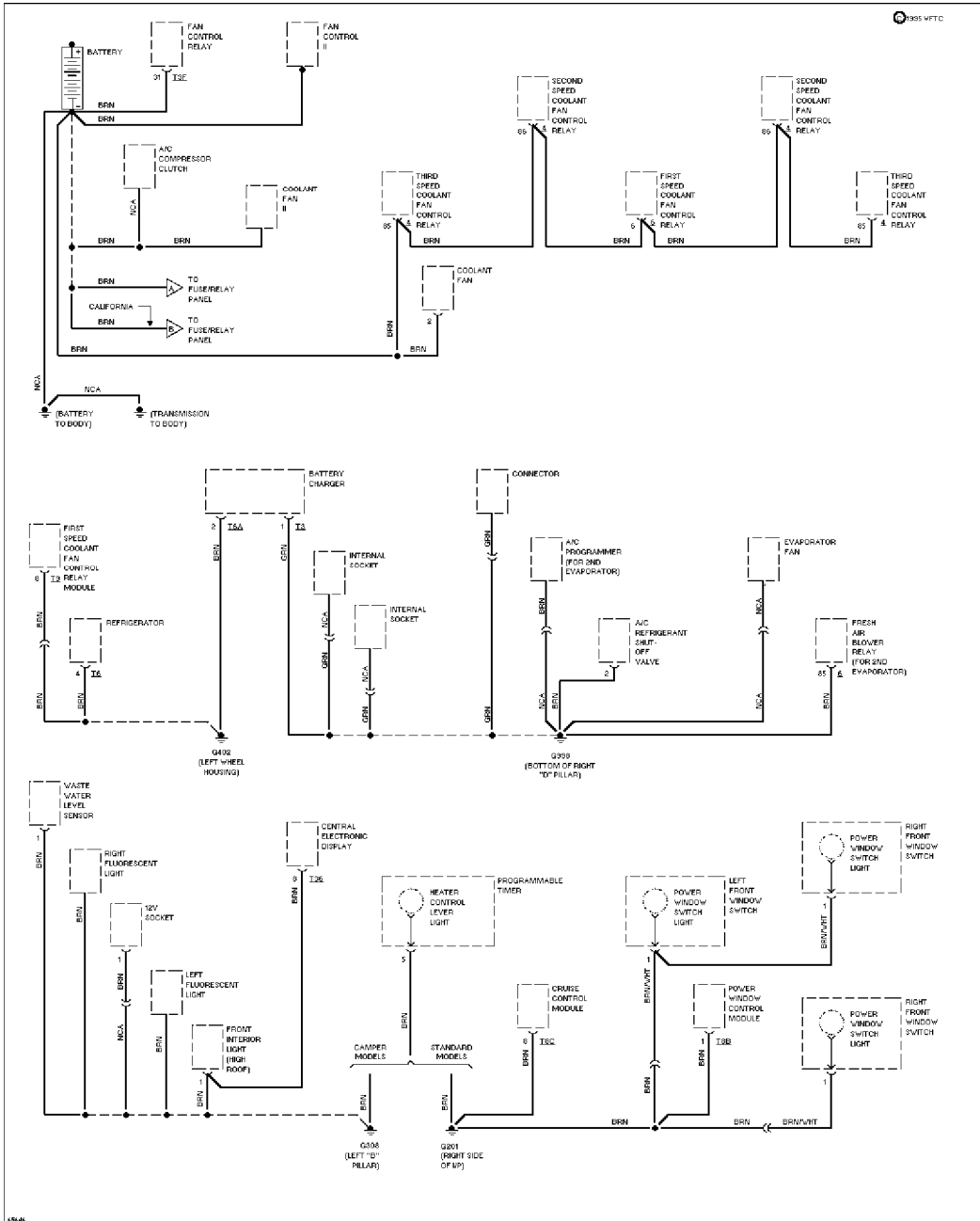
Saturday, March 18, 2000 10:38PM



Cooling Fan Circuit, W/O A/C

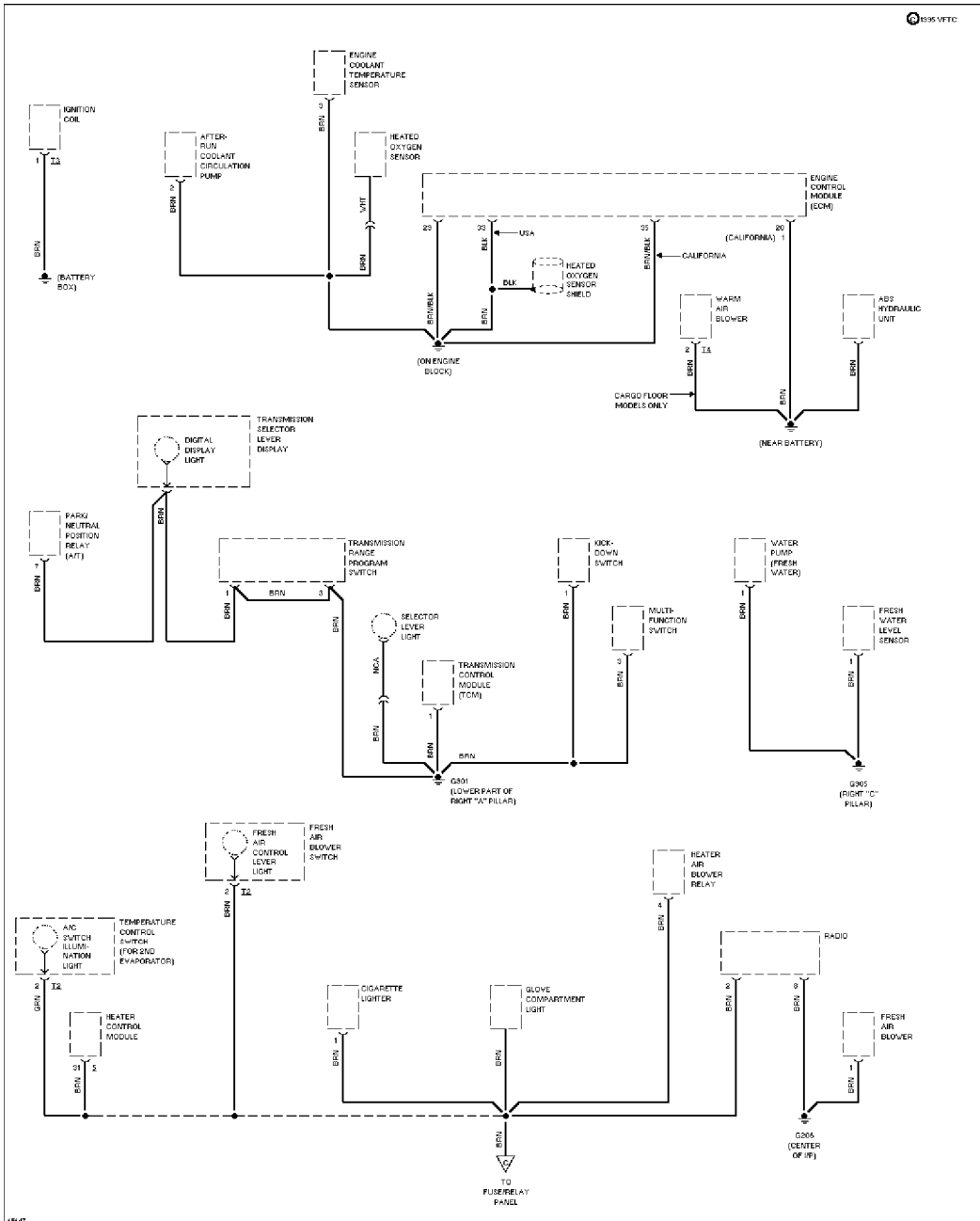
SYSTEM WIRING DIAGRAMS
Article Text (p. 6)
 1993 Volkswagen EuroVan
 For Volkswagen Technical Site
 Copyright © 1998 Mitchell Repair Information Company, LLC
 Saturday, March 18, 2000 10:38PM

GROUND DISTRIBUTION



Ground Distribution Circuit (1 of 6)

SYSTEM WIRING DIAGRAMS
Article Text (p. 7)
 1993 Volkswagen EuroVan
 For Volkswagen Technical Site
 Copyright © 1998 Mitchell Repair Information Company, LLC
 Saturday, March 18, 2000 10:38PM



Ground Distribution Circuit (2 of 6)

SYSTEM WIRING DIAGRAMS

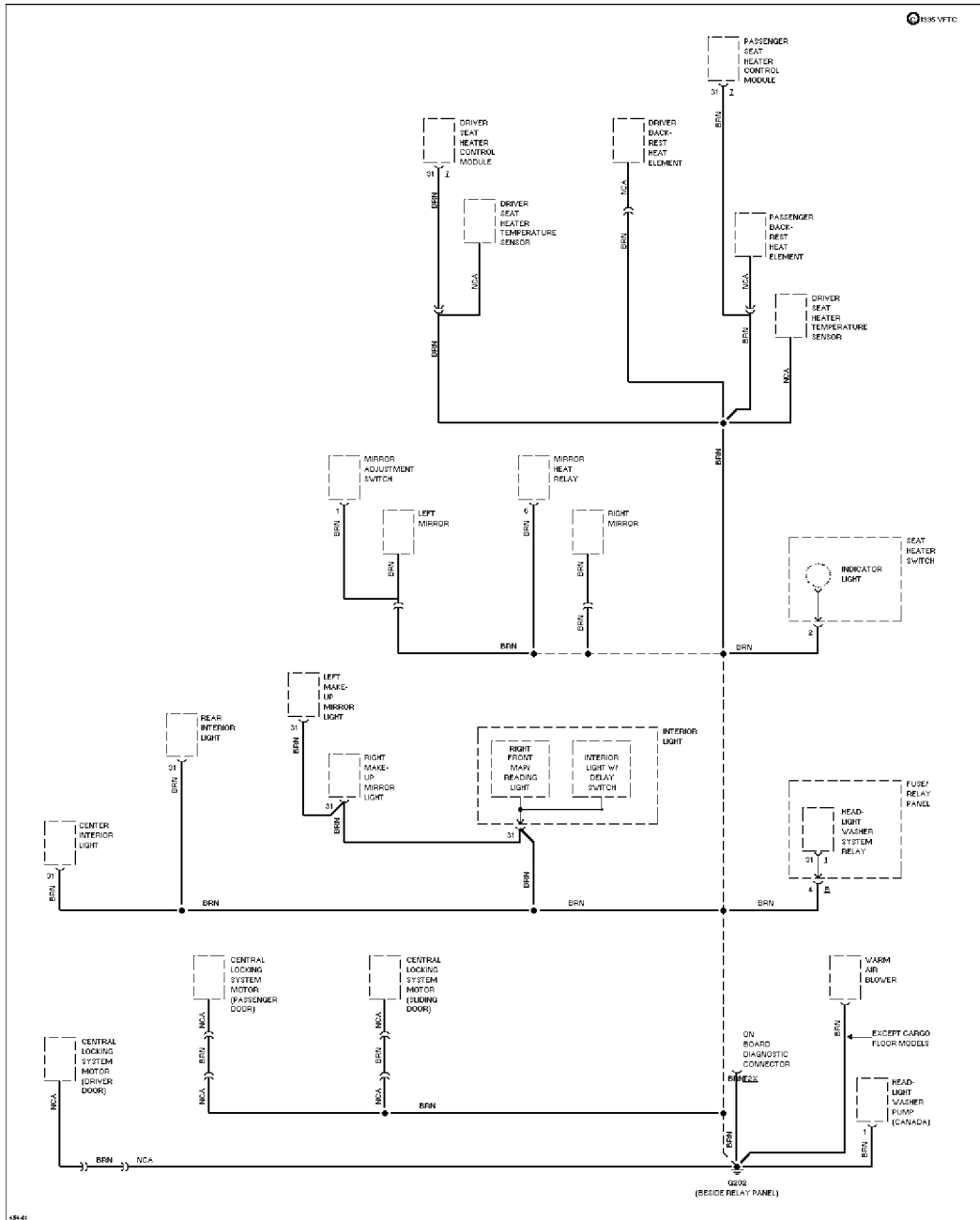
Article Text (p. 8)

1993 Volkswagen EuroVan

For Volkswagen Technical Site

Copyright © 1998 Mitchell Repair Information Company, LLC

Saturday, March 18, 2000 10:38PM



Ground Distribution Circuit (3 of 6)

SYSTEM WIRING DIAGRAMS

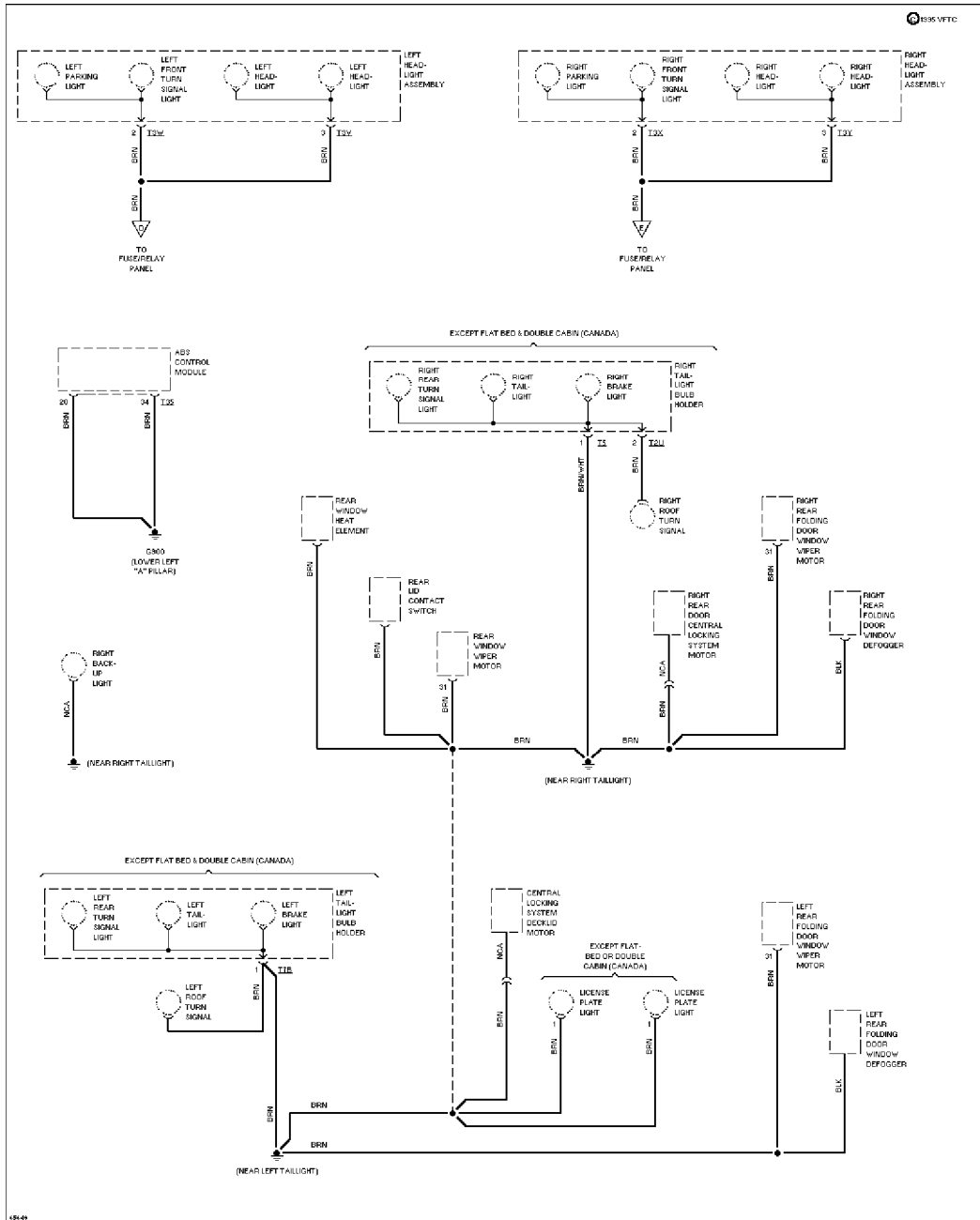
Article Text (p. 9)

1993 Volkswagen EuroVan

For Volkswagen Technical Site

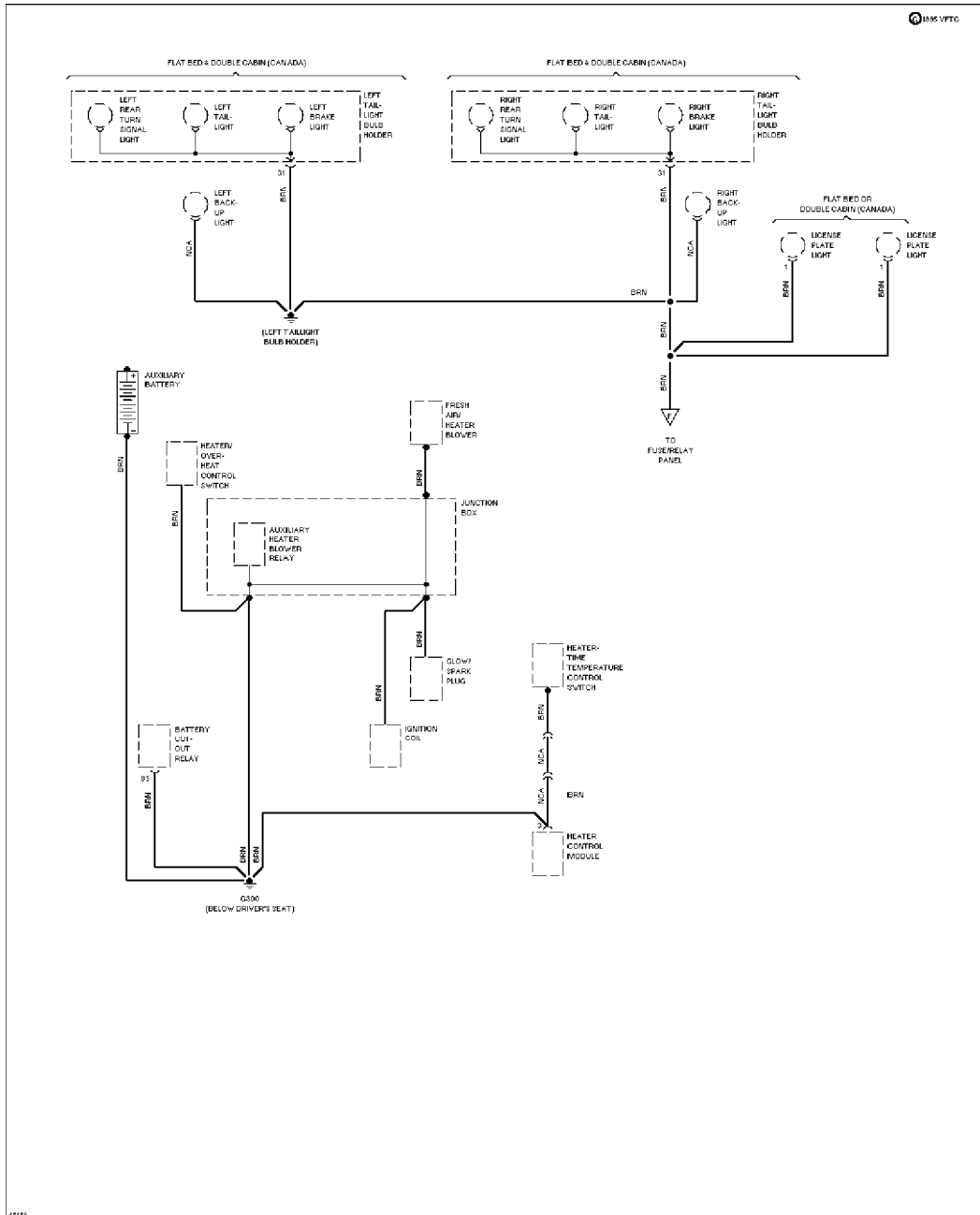
Copyright © 1998 Mitchell Repair Information Company, LLC

Saturday, March 18, 2000 10:38PM



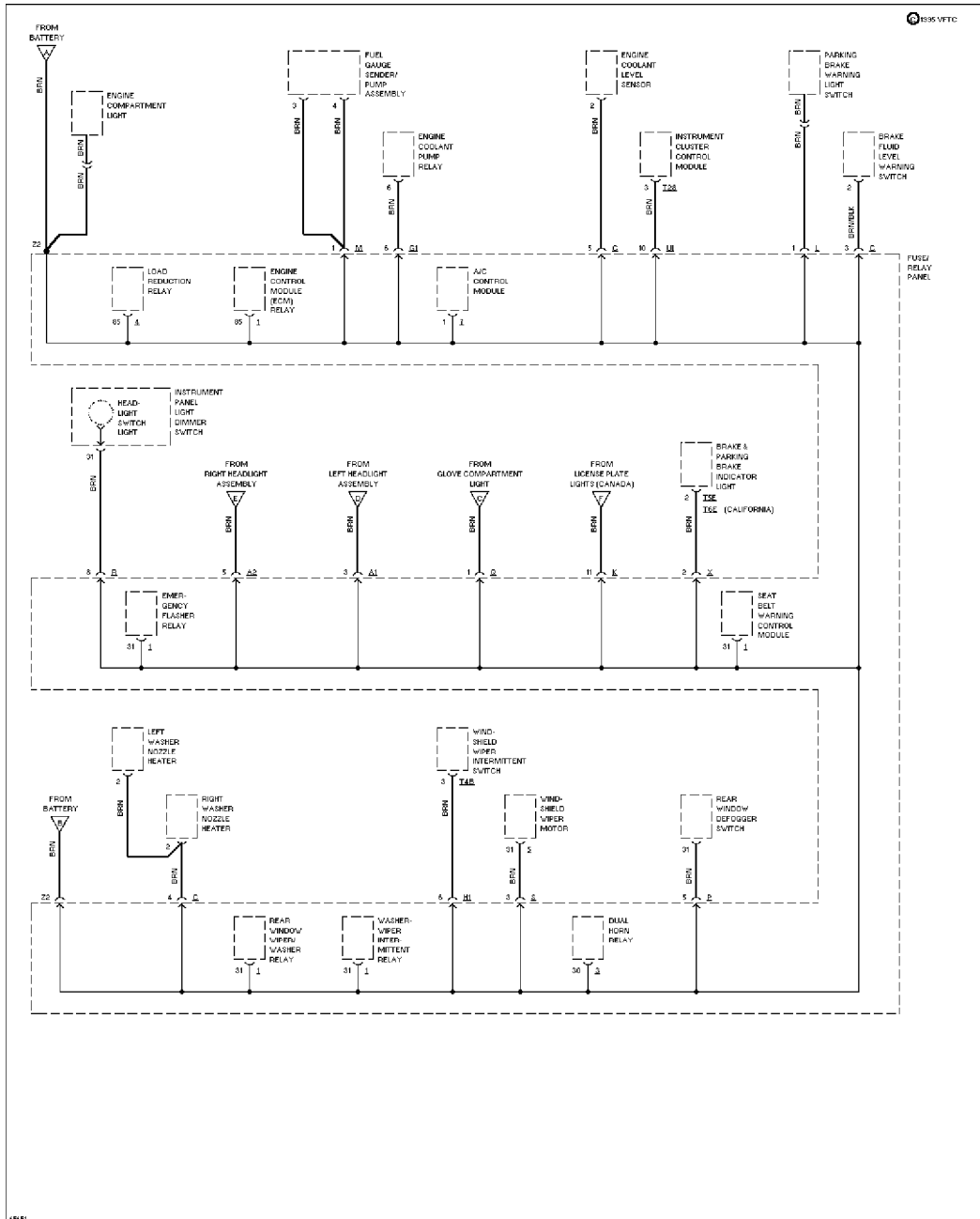
Ground Distribution Circuit (4 of 6)

SYSTEM WIRING DIAGRAMS
Article Text (p. 10)
 1993 Volkswagen EuroVan
 For Volkswagen Technical Site
 Copyright © 1998 Mitchell Repair Information Company, LLC
 Saturday, March 18, 2000 10:38PM



Ground Distribution Circuit (5 of 6)

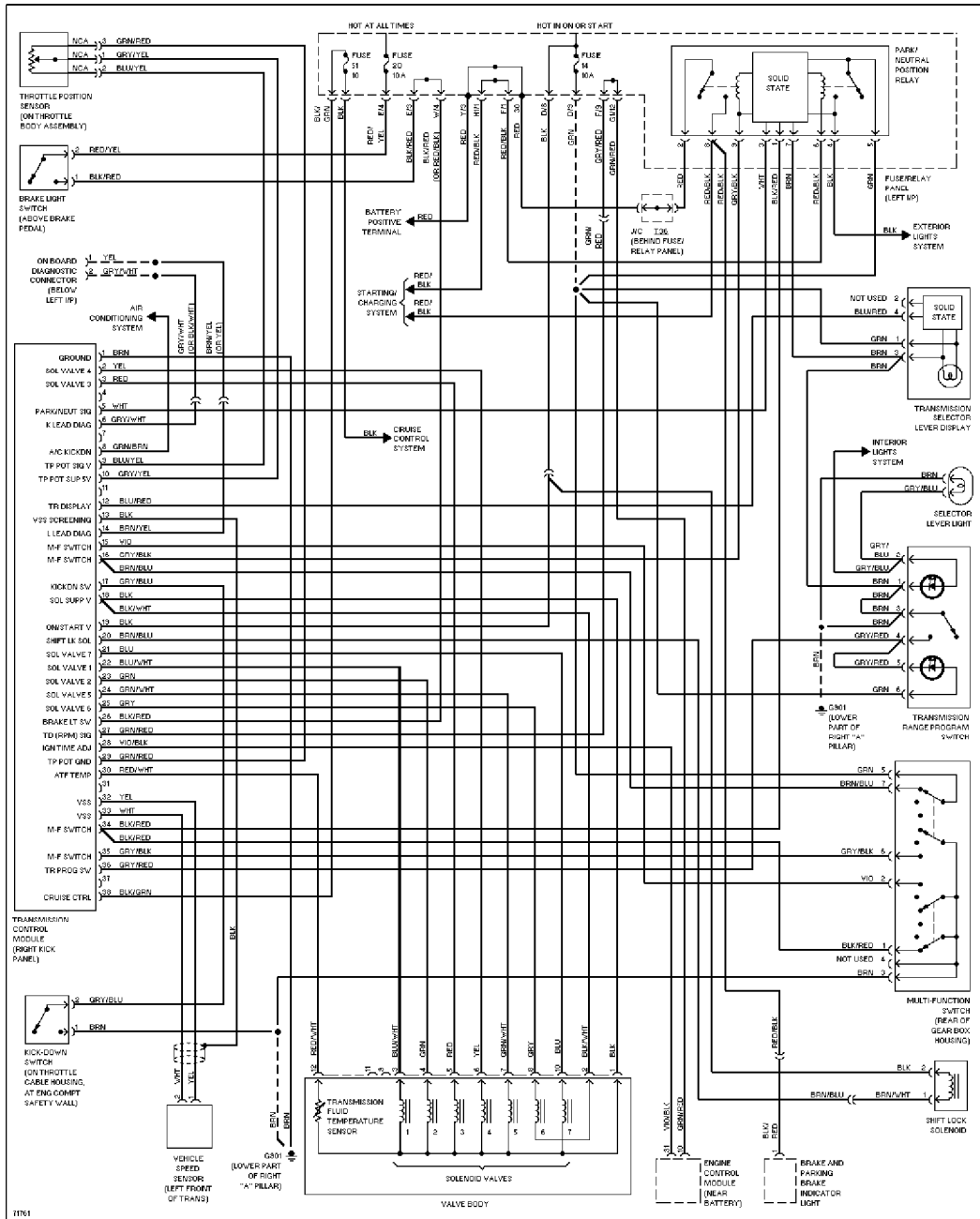
SYSTEM WIRING DIAGRAMS
Article Text (p. 11)
 1993 Volkswagen EuroVan
 For Volkswagen Technical Site
 Copyright © 1998 Mitchell Repair Information Company, LLC
 Saturday, March 18, 2000 10:38PM



Ground Distribution Circuit (6 of 6)

TRANSMISSION

SYSTEM WIRING DIAGRAMS
Article Text (p. 12)
 1993 Volkswagen EuroVan
 For Volkswagen Technical Site
 Copyright © 1998 Mitchell Repair Information Company, LLC
 Saturday, March 18, 2000 10:38PM



Transmission Circuit

END OF ARTICLE